

## TENDER NOTICE



**RFP NO. EA/02-34-2024**

For Etisalat Afghanistan BTS Sites Fuel & Power Monitoring, with  
Reports Generations

# **REMOTE MONITORING SYSTEM (RMS)**

RFP issue Date:

October 24, 2024

1. Bids are invited from potential Companies for Supply & installation of RMS (Remote Monitoring System) as per the RFP Technical section below. This bid Document is also available on Etisalat website ([Tenders](#)).

2. RFP Deadline is November 11, 2024 Afghanistan time. Local and international firms can send their offer via email to [mhsalimee@etisalat.af](mailto:mhsalimee@etisalat.af) and copy [Ihsanullah@etisalat.af](mailto:Ihsanullah@etisalat.af) that marked clearly with the **RFP name, and number**.

3. Bid received after the above deadline shall not be accepted.

4 . Etisalat Afghanistan reserves the right to accept or reject any or all bids and to annul the bidding process at any time, without thereby incurring any liability to the affected bidder(s) or any obligations to inform the affected bidder(s) of the grounds for Etisalat Afghanistan action.

6. The bidder shall submit a proposal with separate **(Technical and Commercial)** parts. **The commercial part must be password password-protected document and we will request the password once the concerned committee opens bids (start bid's Commercial evaluation)**. The bids shall be first evaluated technically. Technical evaluation will be based on the conformity to required technical specifications and compliance matrix specified in the Bidding Documents. Only technically compliant bids which meet all the mandatory service effecting requirements will be evaluated commercially.

6. Bidder should be registered with Etisalat Afghanistan in Vendor Registration List. If any interested bidder **is not registered**, first they should fill the attached Vendor Registration Form and provide following documents before tender deadline and submission of bid. Bidder's offer will not be considered without the registration process.

- 1- Company Profile
- 2- Business License
- 3- President and Vice President ID Cards/Tazkira Copies
- 4- Article of Association (نامه اساس)
3. Past Performance:

Firm must describe past performance on similar public and or private agency contracts, including past performance on similar works for any other telecom company.

8. All correspondence on the subject may address to Hamid Salimee, Coordinator Procurement, and Etisalat Afghanistan. Email [mhsalimee@etisalat.af](mailto:mhsalimee@etisalat.af) and Phone No. +93781 201167.

**Ihsanullah Zirak**

Director Procurment & Supply chain

Ihsan Plaza, Shar-e-Naw, Kabul, Etisalat Afghanistan

E-mail: [Ihsanullah@etisalat.af](mailto:Ihsanullah@etisalat.af)

## **Request for Proposal (RFP)**

**For**

**Supply & installation of Remote Monitoring System (RMS)  
for fuel and Power Monitoring (for 1100 BTS Sites)**



## **1. Part-A: RPF General and Commercial terms:**

### **1.1 Defination:**

In this document, the following terms and meanings shall be interpreted as indicated:

#### 1.1.1 Terms.

**“Acceptance Test(s)”** means the test(s) specified in the Technical Specifications to be carried out to ascertain whether the Goods, Equipment, System, Material, Items or a specified part thereof is able to attain the Performance Level specified in the Technical Specifications in accordance with the provisions of the Contract.

**“Acceptance Test Procedures”** means test procedures specified in the technical specifications and/or by the supplier and approved by EA as it is or with modifications.

**“Approved” or “approval”** means approved in writing.

**“BoQ ”** stands for Bill of Quantities of each job/work as mentioned in this contract and its annexes according to which the contractor shall supply equipment & services and subject to change by agreement of both parties.

**“Bidding”** means a formal procurement procedure under which sealed bids are invited, received, opened, examined and evaluated for the purpose of awarding a contract.

**“Bid/Tender Document”** means the Bid/Tender documents issued by EA for invitation of Bids/Offeres along with subsequent amendments and clarifications.

**“CIF”** means “Cost Insurance Freight” as specified in INCOTERM 2010.

**“Competent Authority”** means the staff or functionary authorized by EA to deal finally with the matter in issue.

**“Completion Date”** means the date by which the Contractor is required to complete the Contract.

**“Country of Origin”** means the countries and territories eligible under the rules elaborated in the “Instruction to Bidders ”.

**“Contract”** means the Contract between Etisalat Afghanistan (EA) and the Contractor and comprising documents.

**“Contractor”** means the individual or firm(s) ultimately responsible for supplying all the Goods/Equipment/Systems/Material/Items on time and to cost under this contract to EA.

**“Contractor’s Representative”** means the person nominated by the contractor and named as such in the contract and approved by EA in the manner provided in the contract.

**“Contract Documents”** means the documents listed in Article (Contract Documents) of the Form of Contract (including any amendments thereto) or in any other article in this contract.

**“Contract Price”** means the price payable to the Contractor under the Contract for the full and proper performance of its contractual obligations.

**“Day”** means calendar day of the Gregorian calendar.

**“Delivery charges”** means local transportation, handling, insurance and other charges incidental to the delivery of Goods to their final destination.

**“D.D.P”** means Delivered Duty Paid as defined in the Incoterms 2010 including the unloading responsibility of bidder/seller.

**“Effective Date”** means the date the Contract shall take effect as mentioned in the Contract.

**“Etisalat Afghanistan (EA)”** means the company registered under the Laws of Islamic republic of Afghanistan and having office at Ihsan Plaza Charahi Shaheed Kabul in person or any person dully authorised by it for the specific purpose for the specific task within the Contract and notified to contractor in writing.

**“Final Acceptance Certificate”** means the certificate issued by EA after successful completion of warranty and removal of defects as intimated by EA.

**“Force Majeure”** means Acts of God, Government restrictions, financial hardships, war and hostilities, invasion, act of foreign enemies, rebellion, revolution, riot, industrial disputes, commotion, natural disasters and other similar risks that are outside of Contractor's and EA's control.

**“Goods Receipt Certificate”** means certificate issued by the consignee certifying receipt of Goods in good order and condition.

**“Liquidated Damages”** mean the monetary damages imposed upon the contractor and the money payable to EA by the contractor on account of late delivery of the whole or part of the Goods.

**“L.o.A”** means Letter of Award issued by EA to successful bidder with regard to the award of tender.

**“Month”** means calendar month of the Gregorian calendar.

**“Offer”** means the quotation/bid and all subsequent clarifications submitted by the Bidder and accepted by EA in response to and in relation with the Bid Documents.

**“Origin”** means the place where the Goods are mined, grown or produced from which the ancillary services are supplied. Goods are produced when, through manufacturing, processing or substantial and major assembling of components, a commercially recognized product results that is substantially different in basic characteristics or in purpose or utility from its components.

**“EA's Representative”** shall mean the representative to be appointed by EA to act for and on behalf of EA with respect to this Contract.

**“Specifications”** means the specifications, provided in the Contract and its annexure and in EA Tender Specifications and where the Contract is silent and in cases of conflicting specifications appearing in the documents, based on the latest version of ITU-T recommendations.

**“Supplier/Vendor”** (used interchangeably) means the individual or firm ultimately responsible for supplying all the Goods on time and to cost under this Contract acting individually alone or as a “prime contractor” for a consortium.

**“Supplier's Representative”** means the person nominated by the Contractor and named as such in the Contract and approved by EA in the manner provided in the Contract.

**“Warranty Period”** shall mean the period of 12 months or any extended period starting from the acceptance of the delivered Goods in good order and conditions at consignee’s certified by EA authorized representative (s).

## **1.2 Validity of Offers**

The Tenders must be valid for a minimum of 90 days from the Tender closing date, or as may be specified by Purchaser in the Tender documents.

## **1.3 Price**

1.3.1 International Bidders can quote CIP Kabul and Local Bidders shall quote DDP Kabul prices accordingly.

1.3.2 DDP Prices shall be inclusive of Custom Duties and all Taxes as applicable in Afghanistan as per Islamic Republic of Afghanistan Tax Laws.

## **1.4 Payment Terms**

1.4.1 Payment mode:

1.4.1.1 90% Payment will be made to the Contractor on delivery and acceptance of Goods by Etisalat Afghanistan.

1.4.1.2 10% payment will be made to the Contractor after completion of warranty period.

1.4.2 Payment shall be made by bank transfer after receipt of original Hardcopy of invoice.

1.4.3 Advance payment will be not made to contractor.

1.4.4 EA shall make prompt payment, within thirty days of submission of an invoice/claim by the contractor subject to availability of pre requisite documents specified under the contract and adjustment of penalty (if any) on account of late delivery and/or defective Goods replacement after confirmation from Project Director.

1.4.5 Payments are subject to deduction of income tax at prevalent rate from the relevant invoices of the contractor and paid to the Tax Authorities, except those especially exempted by the authorities. EA will issue certificate of deductions to the contractor to enable him to settle tax returns with the concerned authorities.

## **1.5 Construction of Contract:**

The Contract shall be deemed to have been concluded in the Afghanistan and shall be governed by and construed in accordance with Afghanistan Law.

## **1.6 Termination of the Contract**

1.6.1 If during the course of the Contract, the Contractor shall be in breach of the Contract and the Purchaser shall so inform the Contractor by notice in writing, and should the breach continue for more than seven days (or such longer period as may be specified

by the Purchaser) after such notice then the Purchaser may immediately terminate the Contract by notice in writing to the Contractor.

1.6.2 Upon termination of the Contract the Purchaser may at his option continue work either by himself or by sub-contracting to a third party. The Contractor shall if so required by the Purchaser within 14 days of the date of termination assign to the Purchaser without payment the benefit to any agreement for services and/or the execution of any work for the purposes of this Contract. In the event of the services/jobs being completed and ready for utilization by the Purchaser or a third party and the total cost incurred by the Purchaser in so completing the required services/jobs being greater than which would have been incurred had the Contract not been terminated then the Contractor shall pay such excess to the Purchaser.

1.6.3 The Contractor shall not have the right to terminate or abandon the Contract except for reasons of force majeure.

**1.7 Local Taxes, Dues and Levies:**

1.7.1 The Contractor shall be responsible for all government related taxes, dues and levies, including personal income tax, which may be payable in the Afghanistan or elsewhere.

1.7.2 Withholding tax (if applicable) shall be deducted on local portion only as per prevailing rates as notified in Afghanistan. The amount of withholding Tax(s) is 2% of all project costs for local/registered companies who have an Afghanistan Government Official Work License and 7% for International/ nonregistered companies.

**1.8 INTRODUCTION TO WORK.**

1.8.1 Bids are For Supply & installation of RMS (Remote Monitoring System with Etisalat specifications as per Technical section below.

**1.9 Bill of Quantity (BoQ).**

No	Item Description	Unit	QTY	Item- Price	
				Unit Price	Total Price
1	Supply and installation of Standard RMS(Remote Monitoring System) for fuel and Power Monitoring	No	1100		
<b>Total Cost</b> =====					

**1.10 Penalty:**

1.10.1 If the contractor fails to complete the said job on or before the Completion Date, the Contractor shall pay to the Purchaser as and by way of Penalty resulting from the delay, the aggregate sum of one percent (1%) of Total Contract price of the delayed

services for each week and pro-rata for parts of week, for delay beyond the specified date, subject to a maximum of ten percent **(10%)** of the Total Contract Price of the service(s). In the event that delay is only in respect of small items which do not affect the effective utilization of the system, the penalty shall be chargeable only on the value of such delayed items.

**1.10.2** 10% penalty from the total contract price if the material is low quality and not as per EA standard.

**1.10.3** Any penalty chargeable to the Contractor shall be deducted from the invoice amount submitted by the Contractor for payment, without prejudice to the Purchaser's rights

**1.10.4** The payment of penalty shall not relieve the Contractor from the obligation to complete the services/deliverables or from any other liabilities or obligations under the Contract.



## **2. Part-B: RFP Technical Section: Scope and specifications:**

### **2.1 Remote Monitoring System (RMS) Objectives**

The object of RMS is to have a standard monitoring system for EA 1100 Telecom BTS sites to monitor and in some cases control the fuel plan, delivery, consumption its level and miss-use, also the system is expected to indicate power status of the sites which comprise its energy consumption (kWH), its load on each phase, status of phase imbalances, its miss-use and also to show status of energy technologies (City Power, Solar, Super Cap, Batteries Hybrid. Etc.) for its operation, energy generation, Diesel Generators Running Hours, its miss-use indication as well as status of batteries for its operation. The system is required to generate comprehensive reporting for fuel planning, fuel scheduling and fuel budgeting which could fulfil departmental needs of better control and reporting to management.

All above should result in minimizing fuel expenditure, optimize fuel opex, improve energy consumption, minimize energy losses, optimize generator efficiency, maximize uptime and network SLA, Generate professional reporting in exile and graphical format for better planning.

### **2.2 Technical Proposal Structure**

The proposal document is composed of seven (4) parts and (2) annexes as follows:

Part One: Fuel Monitoring Requirement

Part Two: Power & Energy Technologies Monitoring

Part Three: Report Generation

Part Four: General Scope of Work

Annex 1: Sites list  
Annex 2: Sketch of sample Fuel Tank  
Annex 3: Report Patterns and Tables

## 2.3 RMS OVERVIEW FOR 1100 SITES OF EA

The RMS is required to increase the visibility of EA telecom operation through an IoT (Internet on Thing) system and cover fuel and electricity challenges where fuel level, consumption, theft and tampering are field challenges, in electrical part its consumption details, power source visibility, power quality and environment alert is a challenge to address along with comprehensive report generation.

These 1100 Sites are in different provinces of the country, their DG types, Technology Types and Fuel Tanks size are given the detailed list, the list given for few extra sites to cover field challenges for 1100-sites only.

### 2.3.1 RMS FOR FUEL MONITORING TO SHOW

The RMS for fuel monitoring to show below key parameters per tank but not limited to it,

1. Fuel Existing Level (in Liters and mm)
2. Delivered or refuelling volume (in Liters and mm).
3. Define Fuel Dead-volume, (Critical, Major and Minor)
4. Fuel Tampering and Theft indication
5. Consumption per hour
6. At least 99% +-1%% accuracy of fuel level/delivery/dead level/etc. for EA all Types of Fuel Tanks (standard and non-standard)
7. Must have alarm notifications or alert via SMS, WhatsApp, E-mail, Global NOC
8. All alarms must be instantly popped up and highlighted for follow up of trapping.

### 2.3.2 RMS FOR POWER MONITORING TO SHOW

The system platform to show all key parameters of Power & Environment for BTS sites for its efficient control on exactive and different hirericy dashboards and send alarm

#### 2.3.2.1 DG & CP Parameters:

1. Load on each phase (A)
2. Power unbalancing on phases as alarm
3. Abnormal Power consumption as alarm notifications or alert via SMS, WhatsApp, E-mail, Global NOC
4. DG Running Hours
5. Power Source kWh, especially in Grid-Power
6. Remote Start/Stop of DG
7. Monitor status, and operational efficiency of backup generators.
8. Monitor energy consumption, power cycle, power failure, and city power downtime.

### 2.3.2.2 Solar & Battery Hybrid Parameters to monitor:

1. Solar RH
2. Cyclic Batteries RH
3. Solar Fail to perform.
4. Cyclic Batteries Fail to perform.
5. Cyclic Batteries individual Status
6. Energy Generation kWh of Solar
7. Energy Generation kWh of Cyclic Batteries
8. Solar PWR & BTS PWR indication at once
9. AGM/Stand-by Batteries Cyclic Use Management
10. Monitor health, charge levels, and performance of backup battery systems.
11. Monitor solar panels and related components for energy production.
12. Etc.

## 2.4 REPORT GENERATION FROM RMS

### 2.4.1 For Financial Analysis To Generate Below Reports:

1. Site wise Fuel cost along with Site Code, Site Type (Owned, Shared etc.), Region, Province, Power Status, DG Type, DG Capacity, DG RH, Fuel Consumption Liter, Fuel Consumption AFN



Reports Template.xlsx

2. Monthly Accounting Entries and Site wise break up for fuel consumption AFN & Liters.



Fuel Working for  
Finance Oct 2023.xlsx



Sites Level Break Up  
(Fuel) Oct 2023.xlsx

3. Consumption Liter, Consumption AFN, Consumption based on Power Status, Consumption based on Region, Number of Sites/Locations, as per below category.

#### Site Category

- a. Sites
- b. BSCs
- c. MSCs
- d. Offices
- e. Guest Houses
- f. Flagships
- g. Mini Shops

#### Power Status Category

1. DG
2. CP
3. CP+SP
4. DG+CP

5. DG+ACB
6. DG+SCAP
7. DG+SP
8. DG+HB
9. DG+CP+ACB
10. DG+CP+HB
11. DG+CP+SCAP
12. DG+CP+SP
13. DG+SP+HB
14. DG+SP+SCAP

Region Category

- a. Central
- b. East
- c. North
- d. South
- e. West
- f. Northeast

4. Vendor wise report, deliver fuel in Liters and cost in AFN
5. Price Per Liter as per below category.

- I. Central
- II. East
- III. North
- IV. South
- V. West
- VI. Northeast

6. Option to export (above all mention reports) to MS Excel

#### 2.4.2 For Technical Planning to Show:

- The report format must have minimum below or more effective excel format to cover sites detail for fuel planning purpose.

#	Site ID	Power Source	Date	R-I (A)	Y-I (A)	B-I (A)	Total KW	kWH	Liter	mm	Fuel Consumption (L/H)	Fuel Consumption Monthly	Alarm	Cumulative DG RH	Daily DG RH	Monthly DG RH
1	KBL001	DG+CP	16-09-2023	6	6	5	3.8	15298.7	997	579	2.5		Low Fuel	2301:42:42	13	390

#### 2.4.3 General about Reports:

- Reports must have a graphic presentation.
- RMS report must have management dashboard as summary and detailed reports on individual sites of all hierarchies.

- Management Dashboard should have summary report of power source, fuel level and energy consumption.
- The Monitoring System must have the capability of extracting all sites report at once and as individual both in Excell and other formats.
- Monitoring System should show all registered sites on single dashboard.
- A monitoring system must have the capability of modification to work or adjust on customer field demand for report creation and downloading.
- The system should Fuel delivery schedule report generation capability.
- Use historical data to identify energy and fuel consumption trends for long-term planning.
- Should have Performance Benchmarking, compare current performance with historical data to assess improvements

## 2.5 GENERAL SCOPE OF WORK

The System to also have below features.

- All indication online, IoT
- The system must have the key features of Real time monitoring, live alerts and notifications, remote control, data visualization, escalation matrix access
- Must have standard protocols.
- Calibration Accuracy tends to be 99.99%
- The RMS must be compatible with all types of EA available DGs with no change of control modules/screens
- The RMS must have license un-expiring with no limitation of its life, upgradation will be part of service provider as FoC.
- Service provider should share the Map or DWG & solution architecture of RMS connectivity along submission of their offer.
- Service provider must be experienced in the same field, with proof of experience.
- RMS Standard connection type i.e. GSM Data, LAN or...to mention.
- The system must have the capability of access level definition to each stakeholder i.e. finance, fuel planning, fuel delivery scheduling & security teams at their domain including full access.
- Comply with standards of Telecom applications.
- RMS must have Min. 6 Months data saving & feature for export in excel and report format.
- Reporting generation should contain hourly, daily, weekly & monthly extraction.
- A monitoring system must have the capability of modification to work or adjust on customer field demand.
- All abnormalities or anomalies must be popped up and summarized as alarm indication.
- Proposed brands of Hardware and Software of solution must be renowned, standard and established.
- Service Provider must arrange technical manuals for his Hardware and Software proposed items.
- Equipment and Software must have standard warranty of min. 1-Year, both service and equipment

- Service provider to make ready and share all good features of his RMS solution in a PPT. presentation.
- Service provider field hardware installation design must be protected from Site Security Guard or Other External body in order not to spoil or touched until and unless via a deliberate action.
- The system should have the capability to add CCTV cameras in future.
- Develop mobile apps for both Android and iOS platforms to provide remote access to monitoring data.
- Service provider must comply with EA (Etisalat Afghanistan) cyber security applicable rules and regulation set for monitoring.
- EA BTS sites comprise of (two source) DG+DG, DG+CP (City Power), DG+ Solar, DG + Super Cap or Batteries, and (three source) DG+CP+Solar, DG+CP+Super Cap, DG+Solar+Super Cap or Batteries etc.
- EA BTS 1100-sites are located throughout the country.
- The bidder should also note that 140 out of 1100 EA sites currently have partial RMS installed, with 135 being NetEco and 5 being part of the Trail project. Bidder to confirm compatibility of his RMS system with existing and adjust expense as well.
- Bidder must give a comprehensive offer with no extra costs at later stages.

## Lists:

### Sites List with Addresses:

Considering field challenges, the list given below is for 35 extra sites including only city power and solar sites.

No	Province	Site Code	Power Source	DG1. size	DG2 . size	DG1 screen type	DG2 screen type	Fuel Tank1 capacity	Fuel Tank2 capacity	Site Address	RMS required
1	Nangarhar	NGR021	DG&CP	GEP13	0	DCP-10	DCP10	3000	0	Reg Shamat khan	Complete
2	Nangarhar	NGR100	DG&CP	CAT22	0	Power Wi zard 1.1	N/A	3000	0	Bez Ekmalati	Complete
3	Nangarhar	NGR123	DG&CP	GEP9	0	Power Wizard 2.1	N/A	5000	0	Qasaba, Alaye School	Complete
4	Nangarhar	NGR003	DG&CP	GEP22	0	Power Wizard 1.1	N/A	3000	0	Sorkhrod 2Saraka	Complete
5	Nangarhar	NGR025	DG&CP	GEP22	0	Power Wizard 2.0	N/A	3000	0	Amniat Meli	Complete
6	Nangarhar	NGR027	DG&CP	GEP22	0	DCP-10	N/A	3000	0	Narange Bagh	Complete
7	Nangarhar	NGR105	DG&CP	GEP22	0	Deep Sea Electronics (DSE)	N/A	5000	0	Campona	Complete
8	Nangarhar	NGR114	DG&CP	CAT22	0	Deep Sea Electronics (DSE)	N/A	4000	0	Chiknawri	Complete
9	Nangarhar	NGR017	DG&CP	GEP22	0	Power Wizard 2.0	N/A	3000	0	Qasaba, Char Asia	Complete
10	Nangarhar	NGR109	DG&CP&S P	GEP22	0	DCP-10	N/A	3000	0	Ghawchak	Complete
11	Kabul	KBL200	DG&CP	GEP22	0	Power Wizard 1.1	N/A	1870	0	Naiz Big sarak company	Complete
12	Kabul	KBL393	DG&CP	CAT22	0	CAT-EMCP 4.1	N/A	3000	0	Tank-e Tel barchi	Complete
13	Kabul	KBL304	DG&CP	GEP13	0	Power Wizard 1.1	0	3000	0	Shah rake Mirwias mina	Complete
14	Parwan	PRN027	DG&SC	GEP22	GEP 22	Power Wizard 1.1	Power Wizard 1.1	6000	3000	Chardi	Complete
15	Nangarhar	NGR016	DG&CP	GEP22	0	Power Wizard 1.1	0	3000	0	Alikheel	Complete
16	Nangarhar	NGR053	DG&SC	GEP13	GEP 9	Power Wizard 1.0	Power Wizard 1.0	3000	0	Zhawara Village	Complete
17	Nangarhar	NGR008	DG&SC	GEP22	0	Power Wizard 1.1	0	5000	0	Kodikhel	Complete
18	Kabul	KBL067	DG&ACB	GEP22	0	Power Wizard 1.1	0	5000	0	Sarke Kabul Logar Safid_Sang	Complete

19	Kabul	KBL098	DG&CP	GEP22	GEP 22	DCP-10	DCP-10	5000	0	Char_Asia	Complete
20	Kabul	KBL136	DG&CP	GEP22	GEP 22	DCP-10	Power Wizard 2.0	3000	0	Shakar Dara	Complete
21	Kabul	KBL168	DG&CP	GEP22	GEP 22	Power Wizard 1.1	Power Wizard 1.1	3000	0	Khoja_Lakan	Complete
22	Logar	LGR016	DG&SC	GEP22	GEP 22	DCP-10	0	3000	0	Bazar waghjan	Complete
23	Logar	LGR019	DG&SC	GEP22	GEP 9	Power Wizard 1.1	Power Wizard 1.1	3000	0	Baraki Barak Mamai vilage	Complete
24	Parwan	PRN019	DG&SP	GEP22	0	DCP-10	0	6000	3000	Kalan Tala	Complete
25	Nangarhar	NGR004	DG&SC	GEP22	GEP 22	DCP-10	DCP-10	3000	0	Kandi Bagh	Complete
26	Nangarhar	NGR006	DG&DG	GEP22	GEP 22	DCP-10	Power Wizard 1.1	3000	0	Dih Ghazi	Complete
27	Nangarhar	NGR018	DG&CP	GEP22	GEP 22	Power Wizard 1.1	DCP-10	3000	0	Airport	Complete
28	Nangarhar	NGR028	DG&SC	GEP22	GEP 22	DCP-10	DCP-10	5000	0	Saracha	Complete
29	Nangarhar	NGR032	DG&SC	GEP22	GEP 22	Power Wizard 1.1	Power Wizard 1.1	3000	0	Batana Village	Complete
30	Nangarhar	NGR046	DG&SP	GEP13	0	Power Wizard 2.0	0	3000	0	Usman Kheel	Complete
31	Nangarhar	NGR049	DG&SC	GEP13	GEP 13	Power Wizard 2.0	Power Wizard 2.0	3000	0	Bala Bagh	Complete
32	Nangarhar	NGR057	DG&CP	GEP22	0	DCP-10	0	3000	0	Ghawchak	Complete
33	Nangarhar	NGR107	DG&SC	GEP22	GEP 22	Deep Sea Electronics (DSE)	Power Wizard 1.0	2000	0	Sayaf Family	Complete
34	Kuner	KNR003	DG&SC	GEP22	0	DCP-10	DCP-10	3000	0	Shegal District	Complete
35	Kuner	KNR004	DG&SC	GEP22	GEP 22	DCP-10	DCP-10	5000	0	Markaz	Complete
36	Kuner	KNR013	DG&DG	GEP13	GEP 22	Power Wizard 1.0	DCP-10	3000	0	Dandona	Complete
37	Logar	LGR006	DG&SC	GEP9	GEP 22	DCP-10	Power Wizard 1.1	#N/A	0	Bandoka, near to Charkh bazar	Complete
38	Bamyan	BMY017	DG&DG	GEP22	GEP 22	Power Wizard 1.1	Power Wizard 1.1	11000	8000	Aqrabat	Complete
39	Nangarhar	NGR034	DG&SP	GEP22	GEP 22	Power Wizard 1.0	Power Wizard 1.0	5000	0	Shamshad Hill	Complete
40	Kuner	KNR005	DG&DG	GEP13	GEP 13	DCP-10	DCP-10	5000	0	Chaghan Hill	Complete
41	Kabul	KBL333	DG&SC	GEP22	0	DCP-10	0	3000	0	Chon Ghar Akhair Barchi	Complete
42	Nangarhar	NGR041	DG&SC	GEP22	GEP 9	DCP-10	Power Wizard 1.1	3000	0	Qalai Khwajkan	Complete
43	Nangarhar	NGR061	DG&CP	GEP13	0	Power Wizard 1.0	N/A	3000	0	Reg Shamat khan	Complete
44	Kabul	KBL191	DG&CP	GEP22	0	Power Wizard 1.1	N/A	1000	0	Gul Bagh, Shahrak falsal	Complete
45	Kabul	KBL264	DG&CP&S P	GEP22	0	DCP-10	N/A	3000	0	Sarak 1 Shashahid	Complete
46	Kabul	KBL049	DG&CP	RID20	0	RID	N/A	1000	0	Darulaman road, Serahi Alauddin	Complete
47	Ghazni	GZN032	DG&SC	GEP22	0	Power Wizard 1.1	N/A	3000	0	Naw Abad	Complete
48	Paktia	PKT006	DG&SC	GEP22	0	DCP-10	N/A	3000	0	Near Chamkani bazar, Nawabad	Complete
49	Paktia	PKT009	DG&SP	GEP22	0	Power Wizard 1.1	N/A	3000	0	Khost Ada	Complete
50	Khost	KWT016	DG&SC	GEP22	0	DCP-10	N/A	3000	0	Darmalaka	Complete
51	Paktia	PKT001	DG&SC	GEP22	0	Power Wizard 1.1	N/A	5000	0	Mangal vilage	Complete
52	Wardak	WDK001	DG&CP	GEP22	0	DCP-10	N/A	5000	0	Family Midan	Complete
53	Khost	KWT004	DG&CP	GEP22	GEP 22	Power Wizard 1.1	Power Wizard 1.1	5000	0	Monai kalay	Complete
54	Kabul	KBL293	DG&CP	GEP22	0	DCP-10	N/A	3000	0	Sarke Kohi TV	Complete
55	Kabul	KBL017	DG&CP	RID20	0	RID	N/A	1000	0	tape Kloia Poshta	Complete
56	Kabul	KBL039	DG&CP	GEP22	0	Power Wizard 1.1	N/A	3000	0	Charahee Sarsabze near to Qase Kabul weeding hall	Complete
57	Kabul	KBL228	DG&CP	GEP22	0	Power Wizard 1.1	N/A	1870	0	infront of Oranus Hotal	Complete

58	Kabul	KBL354	DG&CP	GEP13	0	Power Wizard 1.0	N/A	500	0	Klola Poshta Road	Complete
59	Kabul	KBL150	DG&CP	GEP9	0	RID	N/A	1000	0	Char Rahi Gole surkh	Complete
60	Kabul	KBL249	DG&CP	RID20	0	RID	N/A	1000	0	Chrahe Saleem Karwan	Complete
61	Kabul	KBL053	DG&CP	RID20	0	RID	N/A	1000	0	Parwan 3 near to Qasre Zareen Hotle	Complete
62	Kabul	KBL412	DG&SC	GEP13	0	Power Wizard 2.0	0	3000	0	Monjai town	Complete
63	Kabul	KBL129	DG&CP&ACB	GEP22	0	DCP-10	N/A	3000	0	Cement Khana Sark De khodaydad	Complete
64	Kabul	KBL134	DG&CP	GEP9	0	Power Wizard 1.1	N/A	3000	0	Qazi Plaza(Maccroyan Airport road)	Complete
65	Kabul	KBL266	DG&SP&ACB	GEP22	0	DCP-10	N/A	3000	0	Sarak naw Dispechari	Complete
66	Kabul	KBL290	DG&SC	GEP22	0	DCP-10	0	3000	0	Cocacolla Company	Complete
67	Kabul	KBL314	DG&CP	RID20	0	RID	0	1000	0	Shahrak Amnyat	Complete
68	Kabul	KBL109	DG&SC	GEP13	0	Power Wizard 1.0	N/A	2000	0	4th macroyan near Shino zada Hspetal	Complete
69	Kabul	KBL258	DG&CP	GEP9	0	Power Wizard 1.0	0	3000	0	Arzan Qeemat Blocke 5 Saleem Karwan Bus Stop	Complete
70	Kabul	KBL223	DG&CP	GEP22	0	DCP-10	N/A	3000	0	Sarke Poste Kachalow Khair Khana	Complete
71	Kabul	KBL089	DG&CP	GEP9	0	Power Wizard 1.0	N/A	3000	0	Kotale Chamtala	Complete
72	Kabul	KBL105	DG&CP	GEP22	0	Power Wizard 2.0	N/A	3000	0	Hotel Parwan Khair Khana	Complete
73	Kabul	KBL106	DG&CP	GEP22	0	DCP-10	N/A	3000	0	Khair Khana do Jampa	Complete
74	Kabul	KBL170	DG&CP	GEP22	0	DCP-10	N/A	3000	0	Srai Shamali, airport road near sarke Haji Chaman	Complete
75	Kabul	KBL174	DG&CP	GEP22	0	DCP-10	N/A	2000	0	Khair Khana Labe Jar square airport 80 m road	Complete
76	Kabul	KBL329	DG&CP	GEP22	0	DCP-10	N/A	3000	0	Hessa 2 khairkhana Behind Laisay Mariam	Complete
77	Kabul	KBL378	DG&SP&ACB	GEP22	0	Power Wizard 1.1	N/A	2000	0	Shahrake Zakerin kocha122	Complete
78	Kabul	KBL380	DG&CP	GEP22	0	DCP-10	N/A	3000	0	Layce Maryam Behind the Golay Park	Complete
79	Kabul	KBL141	DG&CP	GEP13	0	Power Wizard 2.0	N/A	3000	0	Porojai Jaded Khhair khana Sarke Qasaba	Complete
80	Kapisa	KPS005	DG&SP	GEP13	0	Power Wizard 2.0	N/A	3000	0	Esay dow Kohistan Karazai	Complete
81	Laghman	LGM011	DG&SP&SC	GEP22	0	DCP-10	N/A	3000	0	Parwayee	Complete
82	Kabul	KBL035	DG&CP	GEP22	0	Lovato	N/A	3000	0	airport road	Complete
83	Kabul	KBL135	DG&SC	GEP22	0	Power Wizard 2.0	0	3000	0	Shakar Dara	Complete
84	Kabul	KBL140	DG&CP	GEP33	GEP 22	Power Wizard 1.1	DCP-10	3000	0	Char qalah wazer abad	Complete
85	Kapisa	KPS012	DG&SP	GEP22	0	Power Wizard 1.1	N/A	1870	0	Jamal Agha	Complete
86	Panjsher	PIR005	DG&ACB	GEP22	0	Power Wizard 2.0	N/A	9000	6000	Tapi Shotol	Complete
87	Parwan	PRN008	DG&CP	GEP33	GEP 22	Deep Sea Electronics (DSE)	DCP-10	5000	0	Afghan Telecom	Complete
88	Parwan	PRN011	DG&SP	GEP22	0	DCP-10	N/A	3000	0	Wazir Khe, Bayan	Complete
89	Parwan	PRN012	DG&SP	GEP22	0	Power Wizard 1.0	N/A	3000	0	Dolana, Laysay Noman	Complete
90	Parwan	PRN032	DG&CP	GEP22	0	DCP-10	N/A	5000	0	Mayana Gozar	Complete
91	Parwan	PRN034	DG&ACB	GEP22	0	Power Wizard 1.1	N/A	3000	0	Dih Qazi	Complete
92	Parwan	PRN045	DG&SP	GEP22	0	DCP-10	N/A	3000	0	Char Qalay Naizi	Complete
93	Laghman	LGM005	DG&SP	GEP22	0	Power Wizard 2.0	N/A	3000	0	Pahlawan BaBa	Complete
94	Laghman	LGM026	DG&CP&SP	GEP22	0	DCP-10	N/A	3000	0	Qalacha	Complete
95	Nangarhar	LGM035	DG&SP&SC	GEP13	0	Power Wizard 2.0	N/A	3000	0	Markit Area	Complete
96	Laghman	LGM054	DG&CP	GEP22	0	DCP-10	N/A	3000	0	Charbagh	Complete
97	parwan	PRN053	DG&SP	GEP22	0	Power Wizard 1.0	N/A	3000	0	Dado Sarai	Complete
98	Kabul	KBL164	DG&DG	GEP22	GEP 22	DCP-10	Power Wizard 1.1	8000	5000	Lataband	Complete



99	Parwan	PRN006	DG&DG	GEP22	GEP 22	Power wizard 1.2	Power wizard 1.2	11000	8000	Sare Kohi Ofyane Sharif	Complete
100	Kabul	RPT_KBL005	DG&DG	GEP22	GEP 22	Lovato	Lovato	9000	6000	Kohe Afshar	Complete
101	Parwan	PRN015	DG&CP	GEP22	0	Power Wizard 1.1	N/A	3000	0	Khaja Seyaran	Complete
102	Kabul	KBL084	DG&CP	GEP22	0	Power Wizard 1.1	0	5000	0	sarke 40m Qalai Zaman Khan	Complete
103	Laghman	LGM013	DG&CP	GEP22	0	DCP-10	N/A	3000	0	Qarghai District	Complete
104	Laghman	LGM025	DG&CP&SP	GEP22	0	DCP-10	N/A	3000	0	Banda E Agha	Complete
105	Laghman	LGM028	DG&CP&SP	GEP22	0	DCP-10	N/A	3000	0	Sultan Ghazi Plaza	Complete
106	Kabul	KBL015	DG&CP	RID20	0	RID	N/A	3000	0	Khushal_Khan_Mena	Complete
107	Balkh	BKH108	DG&CP	GEP22	N/A	DCP-10	N/A	3000	0	Qala mir, Shahid Mazari Graveyard.	Complete
108	Jawzjan	JZN011	DG&SP	GEP22	GEP 9	DCP-10	Power Wizard 1.0	3000	0	Islam Tawarabaf	Complete
109	Balkh	BKH012	DG&SP	GEP22	13	DCP-10	Power Wizard 2.0	1000	0	Taligak	Complete
110	Balkh	BKH100	DG&ACB	GEP22	N/A	CAT-EMCP 4.1	N/A	3000	0	shir abad ulya, Golaye Ghulam	Complete
111	Faryab	FRB003	DG&CP	GEP22		DCP-10	N/A	3000	0	Ghajr abad.	Complete
112	Faryab	FRB006	DG&CP	RID20	RID	RID	RID	1000	0	Postin doz khana	Complete
113	Faryab	FRB010	DG&SP	GEP22	GEP 22	DCP-10	DCP-10	3000	0	Close to chawke almar	Complete
114	Faryab	FRB022	DG&CP	GEP13		Power Wizard 2.0	N/A	3000	0	Khan Char bagh	Complete
115	Faryab	FRB029	DG&CP	GEP13		Power Wizard 2.0	N/A	3000	0	Kokcha qala	Complete
116	Faryab	FRB047	DG&CP	GEP22		DCP-10	N/A	3000	0	Saqiz khana	Complete
117	Faryab	FRB072	DG&CP	GEP22		Deep Sea Electronics (DSE)	N/A	3000	0	Karta Sulh	Complete
118	Faryab	FRB079	DG&CP	GEP22	GEP 22	DCP-10	DCP-10	3000	0	Arab Shah, Torakhan	Complete
119	Jawzjan	JZN003	DG&SP	GEP13	GEP 13	Power Wizard 2.0	Power Wizard 2.0	3000	0	Qarqen, close to district building	Complete
120	Jawzjan	JZN005	DG&SP	GEP9	GEP 9	Power Wizard 1.0	Power Wizard 1.0	5000	0	Qaria Ma Saigha Bala	Complete
121	Jawzjan	JZN010	DG&SP	GEP13		Power Wizard 2.0	N/A	3000	0	Khana Aqa village	Complete
122	Jawzjan	JZN012	DG&SP	GEP22		Power Wizard 2.0	N/A	3000	0	Hydar Abad, Close to Jungle Aregh	Complete
123	Jawzjan	JZN019	DG&CP	GEP13	GEP 13	Power Wizard 2.0	Power Wizard 2.0	3000	0	Tonki Uzbekia	Complete
124	Jawzjan	JZN051	DG&CP	GEP22		Power Wizard 2.0	N/A	5000	0	Karte dostum	Complete
125	Jawzjan	JZN053	DG&SC	GEP22		Power Wizard 1.1	N/A	3000	0	Qudrat bus branch	Complete
126	Saripul	SPL004	DG&SP	GEP22	GEP 22	DCP-10	DCP-10	3000	0	Tokzar.	Complete
127	Saripul	SPL025	DG&CP	GEP22		Power Wizard 1.1	N/A	8000	0	Charm Gari street	Complete
128	Faryab	FRB060	DG&DG	GEP13	GEP 13	Power Wizard 2.0	Power Wizard 1.0	3000	0	Islam Qala village, sari tepa	Complete
129	Saripul	SPL012	DG&SP	GEP9	GEP 9	Power Wizard 1.0	Power Wizard 1.0	3000	0	Taghai Khawja village, sare tepa	Complete
130	Faryab	FRB005	DG&DG	GEP22	GEP 22	DCP-10	Power Wizard 1.0	6000	0	Lare Maina, Jare Maina, sari tepa	Complete
131	Balkh	BKH133	DG&DG	GEP13	13	Power Wizard 2.0	Power Wizard 2.0	6000	0	Chimtal, Asyab gorg.	Complete
132	Balkh	BKH036	DG&ACB	GEP22	22	DCP-10	N/A	5000	0	Sia jar, tangi cheshma shefa	Complete
133	Balkh	BKH016	DG&SP	GEP13	N/A	Power Wizard 2.0	N/A	3000	0	Sholgara, Boria Baf, Sari tepa	Complete
134	Badakhshan	BDK001	DG&SP	GEP13		Power Wizard 1.0	0	10000	5000	Tapa Gulam Hussain	Complete
135	Badakhshan	BDK003	DG&SP	GEP22	22	DCP-10	DCP-10	8000	3000	Sir Petwan, Mountian	Complete
136	Badakhshan	BDK008	DG&SP	GEP13		Power Wizard 2.0	0	8000	3000	Darkhan, Khash Mountain	Complete
137	Badakhshan	BDK012	DG&SP	GEP13		Power Wizard 2.0	0	3000	0	Urgo Bazar Ghariq shah	Complete
138	Badakhshan	BDK013	DG&SP	GEP13		Power Wizard 2.0	0	3000	0	Nimtala Rahe Ab	Complete
139	Badakhshan	BDK014	DG&SP	GEP13		Power Wizard 2.0	0	3000	0	Alocha-kham	Complete

140	Baghlan	BGL002	DG&CP	GEP22		DCP-10	0	3000	0	Bazar Shahr Kona	Complete
141	Baghlan	BGL006	DG&DG	GEP22	NA	DCP-10	Power Wizard 1.1	5000	0	Tawa-sha	Complete
142	Baghlan	BGL029	DG&SP	GEP13	NA	Power Wizard 1.0	0	10000	5000	Boghawi	Complete
143	Kundoz	QDZ003	DG&CP	GEP22	22	DCP-10	DCP-10	3000	0	Kucha Afghan-Besim Sare Dawra	Complete
144	Kundoz	QDZ010	DG&CP	GEP22	22	DCP-10	NA	3000	0	Chila Mazar	Complete
145	Kundoz	QDZ032	DG&CP	GEP13	13	Power Wizard 2.0	Power Wizard 2.0	3000	0	Qaria Qarawel Tape	Complete
146	Kundoz	QDZ054	DG&CP	GEP22	9	DCP-10	Power Wizard 1.0	3000	0	Pol-e-Alchin	Complete
147	Baghlan	BGL067	DG&DG	GEP22	22	DCP-10	Power Wizard 1.0	5000	0	Qandari Qeshlaq	Partial
148	Samangan	SMG028	DG&DG	GEP22	22	DCP-10	DCP-10	8000	0	Khers Khana	Complete
149	Takhar	TKH002	DG&SP	GEP22		DCP-10	0	3000	0	Tepa Said Ha	Complete
150	Takhar	TKH004	DG&SP	GEP22		DCP-10	0	3000	0	Tepa Tokham	Complete
151	Takhar	TKH010	DG&SP	GEP13		Power Wizard 2.0	Power Wizard 2.0	10000	5000	Tapa AL Malik	Complete
152	Takhar	TKH011	DG&SP	GEP13		Power Wizard 2.0	0	3000	0	Bazar Khwaja Ghar	Complete
153	Takhar	TKH016	DG&SP	GEP13		Power Wizard 2.0	0	5000	0	Qazal Qala	Complete
154	Takhar	TKH019	DG&SP	GEP9		Power Wizard 1.0	0	3000	0	Qolbars	Complete
155	Takhar	TKH024	DG&SP	GEP9	22	DCP-10	Power Wizard 1.0	3000	0	Jarbashi	Complete
156	Takhar	TKH030	DG&CP	GEP22		DCP-10	DCP-10	3000	0	khatm sarag awal shafakhana, Takhar city	Complete
157	Takhar	TKH038	DG&CP	GEP22		Power Wizard 1.0	Power Wizard 1.0	3000	0	Shafakhana Naw, Takhar city	Complete
158	Helmand	HLM011	DG&CP	GEP22	city power	Power Wizard 1.1	NA	5000	0	Karta lagan, near Mohammadi masjeed	Complete
159	Kandahar	QDH065	DG&DG	GEP22	GEP 22	Power Wizard 1.1	Power Wizard 1.1	3000	0	Hawoz E Madad, Zhairey District	Complete
160	Orazgan	OZN001	DG&SP&S C	GEP22	DG2 2	Power Wizard 1.1	Power Wizard 1.1	3000	0	Near Masjid street	Complete
161	Helmand	HLM015	DG&SP	GEP22	GEP 09	DCP-10	Power Wizard 1.0	5000	0	on the top of shorab Air base mountain	Complete
162	Helmand	HLM065	DG&SP	GEP9	GEP 09	Power Wizard 1.1	Power Wizard 1.1	3000	0	Cobar tapa	Complete
163	Hirat	HRT022	DG&CP	GEP13		Power Wizard 2	0	3000	0	Char rahi Zaman jan Jade Haqiqi	Complete
164	Hirat	HRT043	DG&CP	RID20		RID	0	1000	0	Now Badam	Complete
165	Hirat	HRT047	DG&ACB	GEP22		Power Wizard 1.1	0	10000	0	Markaz Guzara	Complete
166	Hirat	HRT086	DG&CP	GEP22		Power Wizard 1.1	0	3000	0	Mostofiat koche Baland oab	Complete
167	Hirat	HRT115	DG&CP	GEP13		Power Wizard 1.1	Power Wizard 2	3000	0	Ganj Sabiq	Complete
168	Hirat	HRT128	DG&CP	GEP9		Power Wizard 1.0	Power Wizard 1.0	3000	0	Sarak Aasia Kolokhi	Complete
169	Hirat	HRT133	DG&CP	GEP22		Power Wizard 1.1	0	5000	0	Mahale-e- Shahid Kazimi	Complete
170	Hirat	HRT008	DG&CP	GEP22		DCP10	0	3000	0	Baghche Mostofi	Complete
171	Hirat	HRT009	DG&CP	GEP22		DCP10	RID	3000	0	Jade Mahtab	Complete
172	Hirat	HRT016	DG&CP	GEP22		DCP10	0	5000	0	Jebrail Mahal Etifaq	Complete
173	Hirat	HRT018	DG&CP	GEP22		DCP10	0	5000	0	Zeyart ja Mahal karwa	Complete
174	Hirat	HRT023	DG&CP	GEP13		Power Wizard 2	0	3000	0	Badil Monar Ha Jade Molemen	Complete
175	Hirat	HRT030	DG&ACB	GEP22		DCP10	0	5000	0	Aziz Abad Qala Mirza	Complete
176	Hirat	HRT055	DG&CP	GEP9		Power Wizard 1.0	0	3000	0	Jade Cemetra Moqabel Jade bagh morad	Complete
177	Hirat	HRT056	DG&CP	GEP22		Power Wizard 1.1	0	3000	0	Jade Arbab Zada	Complete

178	Hirat	HRT071	DG&CP	GEP9		Power Wizard 1.0	0	3000	0	Panj Rah Bekrabad	Complete
179	Hirat	HRT075	DG&CP	GEP22		Power Wizard 1.1	0	10000	0	Follad Abad	Complete
180	Hirat	HRT093	DG&CP	GEP9		Power Wizard 1.0	Power Wizard 1.0	3000	0	Jebraill Ketab Khana	Complete
181	Hirat	HRT109	DG&CP	GEP22		Power Wizard 1.1	0	5000	0	Shaidaye- Shahrak Kahdistani	Complete
182	Hirat	HRT123	DG&CP	GEP22		Power Wizard 1.1	0	3000	0	Towhid 10	Complete
183	Hirat	HRT129	DG&CP	GEP9		Power Wizard 2	0	3000	0	Payan Aab	Complete
184	Baghlan	BGL005	DG&CP	GEP9	0	Power Wizard 1.0	0	5000	0	Fabrik-e-Qand	Complete
185	Baghlan	BGL054	DG&CP	GEP22	GEP 13	DCP-10	Power Wizard 1.0	5000	0	Band-i-Do	Complete
186	Balkh	BKH003	DG&CP	RID20	0	RID	RID	1000	0	Dehdadi district	Complete
187	Balkh	BKH007	DG&CP	GEP22	GEP 13	DCP-10	Power Wizard 2.0	3000	0	Koch Chatgary	Complete
188	Balkh	BKH021	DG&CP	RID20	0	RID	RID	1000	0	koch kalaliy	Complete
189	Balkh	BKH054	DG&CP	GEP13	GEP 13	Power Wizard 2.0	Power Wizard 2.0	3000	0	proja( S)	Complete
190	Balkh	BKH063	DG&CP	RID20	0	RID	RID	1000	0	Kholam disrict	Complete
191	Balkh	BKH076	DG&CP	GEP22	0	DCP-10	N/A	3000	0	Balkh city center	Complete
192	Balkh	BKH077	DG&CP	GEP9	0	Power Wizard 1.0	N/A	1000	0	Hairtan Bazar fuel	Complete
193	Balkh	BKH078	DG&CP	GEP22	0	DCP-10	N/A	3000	0	Karta Mamorin	Complete
194	Faryab	FRB001	DG&CP	GEP22	0	DCP-10	N/A	3000	0	Ankhoy Nazdik Blisar	Complete
195	Faryab	FRB007	DG&CP	GEP13	0	Power Wizard 2.0	N/A	3000	0	Qarmqol	Complete
196	Hirat	HRT001	DG&CP	GEP22	GEP 22	DCP10	0	3000	0	Jadah mahkhabrat	Complete
197	Hirat	HRT012	DG&CP	RID20	0	RID	0	1000	0	Jadah mahbas	Complete
198	Hirat	HRT017	DG&CP	CAT22	0	DCP10	0	3000	0	Mahal haji abas	Complete
199	Hirat	HRT020	DG&CP	GEP22	0	Power Wizard 1.1	0	3000	0	Jadah lesmahry	Complete
200	Hirat	HRT051	DG&CP	RID20	0	RID	0	1000	0	Ishaq soliman	Complete
201	Hirat	HRT053	DG&CP	GEP13	GEP 13	Power Wizard 2	0	3000	0	zanda jan district	Complete
202	Hirat	HRT063	DG&CP	GEP13	GEP 9	Power Wizard 2	Power Wizard 1.0	3000	0	Meydanbar ghfaslan	Complete
203	Hirat	HRT069	DG&CP	RID20	0	RID	0	1000	0	Moter frosheya	Complete
204	Hirat	HRT099	DG&CP	GEP13	0	Power Wizard 2	0	3000	0	sarak 64 metra	Complete
205	Jawzjan	JZN047	DG&CP	RID20	0	RID	RID	1000	0	Aqab Motar froshi	Complete
206	Kabul	KBL012	DG&CP	RID20	0	RID	N/A	1000	0	Kochi nowadbad snatorim	Complete
207	Kabul	KBL014	DG&CP	RID20	0	RID	N/A	1000	0	Karti char kochi samad dardar	Complete
208	Kabul	KBL016	DG&CP	GEP33	GEP 22	Power Wizard 1.1	power wizard	3000	0	masjed baraki	Complete
209	Kabul	KBL055	DG&CP	GEP22	NA	LOVOTO	NA	3000	0	qalfullah 8St	Complete
210	Kabul	KBL085	DG&CP	RID20	0	RID	NA	1000	0	Silo Markaz	Complete
211	Kabul	KBL088	DG&CP	RID20	NA	RID	NA	1000	0	kartey perwan	Complete
212	Kabul	KBL113	DG&CP	GEP22	0	Power Wizard 1.1	N/A	3000	0	Dah Dana	Complete
213	Kabul	KBL123	DG&CP	GEP22	GEP 22	Power Wizard 1.0	Power Wizard 1.0	3000	0	di khodi dad	Complete
214	Laghman	LGM004	DG&SP	GEP22	0	DCP-10	NA	5000	0	ALI KHIL	Complete
215	Nangarhar	NGR020	DG&CP	GEP22	0	Deep Sea Electronics (DSE)	no DG2	3000	0	Kuche Kolalan	Complete
216	Nangarhar	NGR024	DG&CP	GEP22	0	Power Wizard 0.2	no DG2	3000	0	Khurasan Universisty	Complete
217	Kandahar	QDH004	DG&CP	GEP22	0	Power Wizard 1.1	SDMO	3000	0	Brishanakot	Complete
218	Kandahar	QDH005	DG&CP&SP	RID20	0	DSE	DSE	1000	0	Loywalah	Complete
219	Kandahar	QDH011	DG&CP	GEP22	0	Power Wizard 1.1	DCP-10	1000	0	Hazrat Jee baba	Complete
220	Kandahar	QDH014	DG&CP	RID20	0	RID	RID	1000	0	Panja Walah	Complete

22 1	Kandahar	QDH018	DG&CP	RID20	0	RID	RID	1000	0	Piro Kalach	Complete
22 2	Kandahar	QDH027	DG&CP	RID20	0	RID	N/A	1000	0	Malam Kali	Complete
22 3	Kandahar	QDH044	DG&CP&S P	GEP22	0	Power Wizard 1.1	N/A	1000	0	Family	Complete
22 4	Kundoz	QDZ005	DG&CP	GEP22	0	DCP-10	0	3000	0	Khak-Kani	Complete
22 5	Kundoz	QDZ013	DG&CP	GEP22	0	DCP-10	0	5000	0	Kochi Mawlawi Sarajudin	Complete
22 6	Kundoz	QDZ016	DG&CP	GEP22	GEP 22	DCP-10	DCP-10	3000	0	3 Darak	Complete
22 7	Kundoz	QDZ026	DG&CP	GEP13	GEP 13	Power Wizard 2.0	P.W 2.0	5000	0	Baghe Sherkat	Complete
22 8	Kundoz	QDZ027	DG&CP	GEP13	GEP 13	Power Wizard 2.0	P.W 2.0	3000	0	Shor kol imam sahib	Complete
22 9	Kundoz	QDZ034	DG&CP	GEP22	GEP 13	DCP-10	P.W	3000	0	Sher Khanbandar	Complete
23 0	Kundoz	QDZ042	DG&CP	GEP9	GEP 9	Power Wizard 1.0	P.W 1.0	3000	0	Sarafi city	Complete
23 1	Kundoz	QDZ044	DG&CP	GEP22	0	Power Wizard 1.1	0	3000	0	Naw Abad Khoja mashad	Complete
23 2	Takhar	TKH036	DG&CP	GEP22	GEP 22	Power Wizard 1.1	Power Wizard 1.1	3000	0	Saray Haji Molah Qurban	Complete
23 3	Takhar	TKH042	DG&CP	GEP22	0	DCP-10	0	3000	0	Sarak 5 Saray Sang	Complete
23 4	Ghazni	GZN004	DG&CP	GEP22	0	DCP-10	NA	3000	0	Saqafat district	Complete
23 5	Balkh	BKH029	DG&CP	GEP13	GEP 13	Power Wizard 2.0	Power Wizard 2.0	3000	0	Babaydar	Complete
23 6	logar	LGR010	DG&CP	GEP22	0	Power Wizard 1.1	0	3000	0	Pol alam haqbi qumandani	Complete
23 7	balkh	BKH052	DG&CP	GEP22	GEP 13	DCP-10	Power Wizard 2.0	3000	0	Hairtan Bander	Complete
23 8	Balkh	BKH116	DG&CP	GEP22	GEP 9	DCP-10	N/A	3000	0	Rastom Abad	Complete
23 9	Samangan	SMG002	DG&CP	GEP22	0	DCP-10	0	3000	0	Sabzi Posh	Complete
24 0	Takhar	TKH040	DG&CP	GEP22	GEP 22	DCP-10	Power Wizard 1.1	3000	0	Pol-e-Sharawan	Complete
24 1	Faryab	FRB028	DG&CP	GEP13	GEP 9	Power Wizard 2.0	power Wizard 1.0	3000	0	Shar now Andkhoy	Complete
24 2	Hirat	HRT068	DG&CP	GEP13	GEP 13	Power Wizard 2	0	3000	0	shada	Complete
24 3	Hirat	HRT058	DG&CP	GEP13	GEP 13	Power Wizard 2	0	3000	0	qdous abad	Complete
24 4	Hirat	HRT079	DG&CP	GEP22	0	Power Wizard 1.1	0	3000	0	Jadah majedy	Complete
24 5	Khost	KWT022	DG&SP	GEP13	GEP 9	Power Wizard 1.0	Power wizard	3000	0	Dari Complex	Complete
24 6	Baghlan	BGL056	DG&CP	GEP22	GEP 9	DCP-10	Power Wizard 1.0	3000	0	Hussain Khil	Complete
24 7	Baghlan	BGL001	DG&CP	GEP22	GEP 22	DCP-10	DCP-10	5000	0	Baghlan Jadid	Complete
24 8	Kundoz	QDZ008	DG&CP	GEP22	GEP 22	DCP-10	DCP-10	3000	0	300 family	Complete
24 9	Jawzjan	JZN020	DG&CP	GEP13	GEP 13	Power Wizard 2.0	Power Wizard 2.0	3000	0	Yanga Arq	Complete
25 0	Balkh	BKH040	DG&CP	RID20	RID2 0	RID	RID	1000	0	Tank tel Mardi	Complete
25 1	Balkh	BKH014	DG&CP	GEP13	0	Power Wizard 2.0	N/A	3000	0	Chalgazi	Complete
25 2	Balkh	BKH023	DG&CP	GEP13	0	Power Wizard 2.0	N/A	500	0	Gulbdin Mareket	Complete
25 3	Nangarhar	NGR019	DG&CP	GEP22	0	Power Wizard 0.1	N/A	3000	0	Majboor abad	Complete
25 4	Nangarhar	NGR082	DG&CP	GEP9	GEP 9	Power Wizard 0.1	Power Wizard0 .1	3000	0	Moeen Mubarak	Complete
25 5	Nangarhar	NGR097	DG&CP&S P	GEP22	GEP 22	DCP-10	Power Wizard0 .1	3000	0	Qasaba	Complete
25 6	Laghman	LGM029	DG&CP	GEP22	0	LEVATTO	Lovoto	5000	0	Qarghae Kandai	Complete
25 7	Kabul	KBL001	DG&CP	GEP22	CP	LOVOTO	N/A	3000	0	PD 2_Shash Darak road	Complete
25 8	Kabul	KBL002	DG&DG	GEP22	GEP 22	LOVOTO	LOVOTO	3000	0	PD 1_Asmayee bridge near to Baghe Wahsh	Complete
25 9	Kabul	KBL003	DG&CP	GEP33	CP	Power Wizard 1.0	DCP-10	3000	0	PD 8_Sare Tapa Karte Naw	Complete
26 0	Kabul	KBL004	DG&CP	GEP22	GEP 22	Power Wizard 1.1	Power Wizard 1.1	3000	0	PD 10_Dahne Hamam Bi Bi Mahrow	Partial

261	Kabul	KBL005	DG&CP	GEP33	0	Power Wizard 1.1	NA	5000	0	PD 9_Gomrak road, Parke Sanaye Kochak	Complete
262	Kabul	KBL006	DG&CP	GEP22	CP	LOVOTO	0	3000	0	PD 8_Shah Shaheed Sarak 2	Complete
263	Kabul	KBL007	DG&CP	GEP33	0	Power Wizard 1.1	NA	3000	0	PD 16_Qalae Zaman khan sarak bala	Complete
264	Kabul	KBL008	DG&CP	GEP22	GEP 22	Power Wizard 2.0	Power Wizard 2.0	3000	0	PD 12_Ahmad shah baba, block#4	Complete
265	Kabul	KBL009	DG&CP	GEP22	GEP 22	DCP-10	DCP-10	3000	0	PD 6_Gulkhana, char qala Chardehi road	Complete
266	Kabul	KBL010	DG&CP	RID-20KVA	0	RID	NA	1000	0	PD 7_9 borja road, behind Baghi_chilsaton	Complete
267	Kabul	KBL011	DG&CP	GEP22	CP	DCP-10	NA	3000	0	PD 7_Darulaman road, Qalae Afghanha	Complete
268	Kabul	KBL013	DG&CP	GEP33	GEP 22KVA	Power Wizard 1.1	Power Wizard 1.1	3000	0	PD 13_Tank Tel Dashti_Barchi	Complete
269	Kabul	KBL018	DG&CP	GEP22	0	LOVOTO	NA	3000	0	PD 4_Taimani project, street#2	Complete
270	Kabul	KBL020	DG&CP&HB	JBL22	JBL22	Power Wizard 1.1	Power Wizard 1.1	3000	0	PD 11_Hese Awal, Masjid Hzt Ali KhKh	Partial
271	Kabul	KBL021	DG&CP	RID-20KVA	RID	RID	RID	1000	0	PD 17_sare Kotale Khair Khana, close to motor faroshi	Complete
272	Kabul	KBL022	DG&CP	RID-20KVA	CP	RID	NA	1000	0	Char Asiab_Gul Bagh Qala-e-Furmulee, tangee	Complete
273	Kabul	KBL023	DG&CP	RID-20KVA	0	RID	NA	1000	0	PD 7_Sare Asia, qala badar khan	Complete
274	Kabul	KBL024	DG&SP	GEP22	GEP 22	Power Wizard 1.1	Power Wizard 1.1	3000	0	Dah Sabz_Sofi Baba, Bakhtayaran	Complete
275	Kabul	KBL026	DG&DG	GEP44	GEP 22	DCP-10	Power Wizard 1.0	3000	0	PD 9_Poli charkhi road, Harbi Pohantoon	Complete
276	Kabul	KBL027	DG&CP	GEP22	CP	DCP-10	NA	3000	0	PD 9_Charahi Abdulhaq	Complete
277	Kabul	KBL029	DG&CP	GEP22	0	DCP-10	NA	3000	0	PD 11_Hesai-se KhKh, near to khair khwa hospital	Complete
278	Kabul	KBL031	DG&CP	GEP22	GEP 22	Power Wizard 1.1	Power Wizard 1.1	3000	0	PD 9_Sarak now poli charkhi, Parke Sanati kochak	Complete
279	Kabul	KBL033	DG&CP	GEP22	GEP 22	DCP-10	DCP-10	3000	0	PD 17_Tahia Maskan	Complete
280	Kabul	KBL034	DG&CP	JBL33	JBL33	Deep Sea Electronics (DSE)	Deep Sea Electronics (DSE)	5000	0	PD 6_Dashti Barchi, Mahtab Qala	Complete
281	Kabul	KBL036	DG&CP	GEP22	0	DCP-10	NA	3000	0	PD 7_Chelsetoon, Qala e Ghaibee	Complete
282	Kabul	KBL038	DG&CP	GEP09	0	Power Wizard 1.1	NA	1000	0	PD 10_Qalai Musa	Complete
283	Kabul	KBL040	DG&CP	CAT1400	FG wils on800	#N/A	#N/A	105000	25000	PD 9_Poli charkhi road,KBL MSC1	Complete
284	Kabul	KBL043	DG&CP	GEP22	0	Deep Sea Electronics (DSE)	NA	3000	0	PD 10_Charqala Wazirabad, behind Shahrak aria phase#1	Complete
285	Kabul	KBL044	DG&CP	RID-20KVA	0	RID	NA	1000	0	PD 13_Sarake Qalai Qazi, Hamami Ganral Haidar, Hadire Khawati	Complete
286	Kabul	KBL045	DG&CP&SP	GEP13	GEP 09	Genset Controller	Power Wizard 1.1	1400	0	PD 11_Khair Khana Bazare Layce Maryam	Complete
287	Kabul	KBL046	DG&CP	RID-20KVA	CP	RID	NA	1000	0	PD 9_Qalai Wakil airport Rd	Complete
288	Kabul	KBL048	DG&CP	GEP22	0	DCP-10	NA	3000	0	PD 3_Golaye Dawakhana near to Kote Sangee	Complete
289	Kabul	KBL050	DG&CP	GEP22	0	DCP-10	NA	3000	0	PD 5_Blockhai shadab zafar Khushal_Khan	Complete
290	Kabul	KBL052	DG&CP	GEP22	CP	DCP-10	NA	3000	0	PD 1_Sare Chaok Sarke Shorbazar	Complete
291	Kabul	KBL054	DG&CP	GEP22	0	DCP-10	NA	3000	0	PD 10_Taimany Sarke 40m near to Saleem Karwan	Complete
292	Kabul	KBL058	DG&CP&SP	GEP09	0	Power Wizard 1.1	NA	3000	0	PD 1_Mandawi Ahmad Yaar Market	Complete

293	Kabul	KBL059	DG&CP	RID-20KVA	0	RID	NA	1000	0	PD 13_Qalai Chetgar Dashti Barchi	Complete
294	Kabul	KBL060	DG&CP	GEP22	0	Power Wizard 1.1	NA	3000	0	PD 13_Dashti_Barchi, Reg Reshan sharke Safa	Complete
295	Kabul	KBL065	DG&CP	RID-20KVA	0	RID	NA	1000	0	PD 13_Barchi Yousofe Bangee	Complete
296	Kabul	KBL066	DG&CP	RID-20KVA	0	RID	NA	1000	0	PD 5_Sarke Company Fazil_Big	Complete
297	Kabul	KBL068	DG&CP	GEP22	0	LOVOTO	NA	3000	0	PD 5_Bazare Afshar Selo	Complete
298	Kabul	KBL069	DG&CP	GEP22	CP	LOVOTO	NA	3000	0	PD 5_Bazare Company Aqabe Chardi Center	Complete
299	Kabul	KBL071	DG&CP	GEP22	CP	Power Wizard 1.0	0	3000	0	Bagrami_Bagrami Tapi Ahmad Khan	Complete
300	Kabul	KBL072	DG&CP	RID-20KVA	CP	RID	NA	1000	0	PD 6_Darulaman Sarke Haji Nabi	Complete
301	Kabul	KBL073	DG&CP	GEP22	0	LOVOTO	NA	3000	0	PD 5_Sare Tapi Bandi Qargha	Complete
302	Kabul	KBL077	DG&HB	GEP22	GEP 22	LOVOTO	LOVOTO	3000	0	PD 20_Reshkhori, qala e fatho	Partial
303	Kabul	KBL078	DG&CP&ACB	GEP22	ACB	Power Wizard 1.0	Power Wizard 1.0	3000	0	PD 8_Kart-e-Now kamawal Tapa	Complete
304	Kabul	KBL079	DG&SP	GEP22	GEP 22	DCP-10	DCP-10	3000	0	PD 9_Charye Midane Hawayee Hawa Shanasi	Complete
305	Kabul	KBL082	DG&CP	GEP22	0	Power Wizard 1.1	NA	3000	0	PD 4_near to Blockhai Sarandoi Kolola Poshta	Complete
306	Kabul	KBL083	DG&CP	GEP22	0	Power Wizard 1.0	0	1000	0	PD 8_Bazar Karti Now Sarke 3	Complete
307	Kabul	KBL086	DG&CP	GEP22	SDMO	Power Wizard 1.1	SDMO	5000	0	PD 6_Karti 3, kocha qala wahid sarak 9	Complete
308	Kabul	KBL087	DG&CP	RID-20KVA	0	RID	NA	1000	0	PD 6_Char_Qalai,Char Di	Complete
309	Kabul	KBL090	DG&CP	GEP09	GEP 09	Power Wizard 1.1	Power Wizard 1.1	3000	0	PD 11_Hesae Awal Khair khana Sarke Rosha	Complete
310	Kabul	KBL091	DG&SP	GEP22	GEP 22	DCP-10	DCP-10	3000	0	PD 15_Qasaba near block hay maloleen	Complete
311	Kabul	KBL093	DG&CP	GEP22	0	Power Wizard 1.1	NA	3000	0	PD 7_Baghi_Raies, Sarke chelsotoon	Complete
312	Kabul	KBL094	DG&CP	GEP22	0	DCP-10	NA	5000	0	PD 15_Charahi Shaheed Hangra	Complete
313	Kabul	KBL096	DG&DG	DG of embassy	0	#N/A	#N/A	3000	0	PD 2_Chary Zanbaq UAE embassy	Complete
314	Kabul	KBL101	DG&SC	GEP22	super cap	Power Wizard 2.0	0	3000	0	PD 12_Arzan Qeemat now Roz Abad	Complete
315	Kabul	KBL102	DG&CP	GEP22	CP	Power Wizard 1.0	0	3000	0	PD 16_Sarke Qalai Zaman Khan near to Tarkhil Tank	Complete
316	Kabul	KBL103	DG&CP	GEP22	GEP 22	Power Wizard 1.1	Power Wizard 1.1	3000	0	PD 9_yakatoot Qaly Ali Murad kocha kabulia	Complete
317	Kabul	KBL107	DG&CP	GEP22	CP	Power Wizard 2.0	NA	3000	0	PD 11_Proji Jadid Khair khana Kochi 12	Complete
318	Kabul	KBL110	DG&CP	GEP22	0	Deep Sea Electronics (DSE)	NA	3000	0	PD 10_Sarke 2 Qalay fatula	Complete
319	Kabul	KBL111	DG&SP	GEP22	GEP 22	DCP-10	0	3000	0	PD 8_Rahman Mena,Qalai Kajal Shawakay	Complete
320	Kabul	KBL112	DG&CP	RID-20KVA	0	RID	NA	1000	0	PD 11_Hese Do Khairkhana sarke Laysay Mariam road	Complete
321	Kabul	KBL114	DG&CP	GEP13	0	Power Wizard 2.0	NA	3000	0	PD 15_Proje Jaded 500 Family Khair khana	Complete
322	Kabul	KBL118	DG&CP	GEP22	0	DCP-10	NA	3000	0	PD 9_Yakatoot Qaly Habib	Complete
323	Kabul	KBL119	DG&CP	GEP22	GEP 22KVA	Power Wizard 1.0	Power Wizard 1.0	3000	0	PD 6_Qalai Bakhtiar Charqalay chardi	Complete
324	Kabul	KBL120	DG&DG	RID-20KVA	RID	RID	RID	1000	0	PD 9_Sarke now Poli Charkhay	Complete
325	Kabul	KBL122	DG&CP	GEP22	CP	Power Wizard 1.1	0	3000	0	PD 9_Poli Charkhi near zandan Poli chaerkhay	Complete
326	Kabul	KBL124	DG&CP	GEP22	0	Power Wizard 1.1	NA	3000	0	PD 3_Dehbori, Kosha Nooreen	Complete
327	Kabul	KBL125	DG&CP	GEP13	0	Power Wizard 1.1	0	3000	0	Bagrami_Botkhak village near to Jakshane Barq	Complete

328	Kabul	KBL126	DG&SC&CP	GEP22	super cap	Power Wizard 1.1	0	3000	0	Char Asiab_Chahar Syab	Complete
329	Kabul	KBL127	DG&CP	GEP22	GEP 22	Power Wizard 2.0	Power Wizard 2.0	3000	0	PD 5_Poli Technic	Complete
330	Kabul	KBL128	DG&CP	GEP22	0	Power Wizard 1.1	NA	3000	0	PD 5_Chawk Kota Sangi	Complete
331	Kabul	KBL130	DG&SP	GEP22	GEP 22	Power Wizard 1.0	Power Wizard 1.0	3000	0	Farza_Farza	Complete
332	Kabul	KBL132	DG&CP	CAT1100	CAT 1000	0	NA	15000	5000	PD 13_Darlaman Shahrake Hajy Nabi	Complete
333	Kabul	KBL133	DG&CP	GEP22	CP	Power Wizard 2.0	NA	3000	0	PD 13_Qalai Now Dashti Barchi	Complete
334	Kabul	KBL137	DG&CP	GEP13	CP	Power Wizard 2.0	NA	3000	0	Mir Bacha Kot_Mir Bacha Kot	Complete
335	Kabul	KBL138	DG&CP	GEP22	CP	DCP-10	NA	3000	0	Mir Bacha Kot_Mir Bacha Kot	Complete
336	Kabul	KBL139	DG&SC	GEP13	super cap	Power Wizard 2.0	NA	3000	0	Estalef_Istalif	Complete
337	Kabul	KBL142	DG&SC	GEP13	super cap	Power Wizard 2.0	NA	3000	0	Qara Bagh_Qarabagh	Complete
338	Kabul	KBL143	DG&CP	GEP22	0	Power Wizard 1.1	NA	1600	0	PD 4_Kolola Poshta near to Leycee Tajor Sultana	Complete
339	Kabul	KBL148	DG&CP	RID-20KVA	0	RID	NA	1000	0	PD 13_Rigrishan Barchi Sarke Ab rasane	Complete
340	Kabul	KBL149	DG&CP	RID-20KVA	0	RID	0	1000	0	PD 12_Charayee botkhak Arzan qemat	Complete
341	Kabul	KBL152	DG&CP	RID-20KVA	0	RID	NA	1000	0	PD 13_Tank Tel Dashti Barchi	Complete
342	Kabul	KBL153	DG&CP	GEP13	CP	Power Wizard 1.1	Power Wizard 1.1	3000	0	PD 12_Shina	Complete
343	Kabul	KBL154	DG&CP	GEP22	CP	Power Wizard 1.1	NA	5000	0	Shaker Darah_Shakar Dara	Complete
344	Kabul	KBL155	DG&SP	GEP22	Solar	DCP-10	NA	5000	0	Kalakan_Kalakan	Complete
345	Kabul	KBL156	DG&ACB	GEP22	ACB	Power Wizard 1.1	NA	10000	5000	Shaker Darah_Qalai Dushman	Complete
346	Kabul	KBL158	DG&CP	GEP22	CP	Genset Controller	NA	5000	0	Shaker Darah_Shakar Dara	Complete
347	Kabul	KBL159	DG&SP	GEP22	GEP 22	DCP-10	DCP-10	5000	0	Mir Bacha Kot_Sarake GulDara	Complete
348	Kabul	KBL160	DG&DG	GEP22	GEP 22	LOVOTO	Power Wizard 1.1	15000	10000	PD 14_Arghandi	Complete
349	Kabul	KBL162	DG&DG	GEP22	GEP 22	Power Wizard 1.1	Power Wizard 1.1	3000	0	PD 14_Pusute_Badam	Complete
350	Kabul	KBL163	DG&CP	GEP22	0	LOVOTO	0	5000	0	PD 12_Pule Charkhi bazar	Complete
351	Kabul	KBL166	DG&SP	GEP22	GEP 22KVA	Power Wizard 1.1	Power Wizard 1.1	3000	0	PD 14_Parachi	Complete
352	Kabul	KBL167	DG&CP	GEP22	0	Power Wizard 1.1	NA	3000	0	PD 14_Qolei_Naw	Complete
353	Kabul	KBL169	DG&CP	GEP22	CP	LOVOTO	NA	3000	0	PD 14_Bazare Khwaja Musafir	Complete
354	Kabul	KBL172	DG&CP	GEP22	0	DCP-10	NA	3000	0	PD 7_Chilsooton Dahan-e- bagh akhair est ghah	Complete
355	Kabul	KBL175	DG&CP	RID-20KVA	0	RID	NA	1000	0	PD 15_Qasaba road near to Sarake Do jampa	Complete
356	Kabul	KBL176	DG&HB	GEP22	0	DCP-10	NA	2000	0	PD 7_Chalsoton/waisa labad, Sarak bala	Partial
357	Kabul	KBL177	DG&CP	RID-20KVA	CP	RID	0	1000	0	Bagrami_Kamari	Complete
358	Kabul	KBL179	DG&CP	GEP22	CP	Power Wizard 2.0	Power Wizard 2.0	3000	0	Bagrami_Qal'eh-ye Rangmal and Qaleh Hassan	Complete
359	Kabul	KBL180	DG&DG	GEP22	GEP 22	DCP-10	DCP-10	2000	0	PD 19_Pul-e-Charkhi Main Street Qomandani Garnezun	Complete
360	Kabul	KBL181	DG&CP	GEP22	0	Power Wizard 1.1	NA	3000	0	PD 9_Khoja Rawash Behind the Kabul Air Port	Complete
361	Kabul	KBL187	DG&CP	RID-20KVA	0	RID	0	1000	0	PD 8_Kart-e-Now Sar-e- Tapa near to Masjed Yassar	Complete

362	Kabul	KBL188	DG&CP	RID-20KVA	0	RID	0	1000	0	PD 8_Karte Naw Meydan-e Bozkoshi	Complete
363	Kabul	KBL190	DG&CP	GEP22	0	Power Wizard 1.1	NA	1870	0	PD 7_Doghahab Darlaman	Complete
364	Kabul	KBL193	DG&CP	RID-20KVA	0	RID	NA	1000	0	PD 3_Charahi Shaheed Dehbori	Complete
365	Kabul	KBL194	DG&CP	GEP22	0	LOVOTO	NA	3000	0	PD 6_Charqala Chardi Qali Wazir	Complete
366	Kabul	KBL195	DG&CP	GEP22	0	Power Wizard 1.1	NA	2000	0	PD 13_Estgay Shafakhana Sarke Barche	Complete
367	Kabul	KBL196	DG&CP	GEP22	0	LOVOTO	NA	2000	0	PD 5_Dih Araban Qargha	Complete
368	Kabul	KBL197	DG&CP	RID-20KVA	0	RID	0	1000	0	PD 9_Pol-e-charkhai / Paktia kot Bazar	Complete
369	Kabul	KBL199	DG&CP	RID-20KVA	0	RID	NA	1000	0	PD 2_Karkte Parwan Noor TV Lisay Nadaria	Complete
370	Kabul	KBL201	DG&CP	GEP22	CP	LOVOTO	NA	3000	0	PD 5_Sarke Baghe Dawood	Complete
371	Kabul	KBL205	DG&HB	GEP22	GEP22	Power Wizard 1.0	0	3000	0	PD 8_Karte Naw road behind Naqalye Saya Sang	Partial
372	Kabul	KBL208	DG&SP	GEP22	Solar	Power Wizard 2.0	NA	3000	0	Qara Bagh_Dawood Zai Valliage	Complete
373	Kabul	KBL209	DG&SC	GEP22	super cap	Power Wizard 2.0	NA	3000	0	Paghman_Arghandi h	Complete
374	Kabul	KBL212	DG&SP	GEP22	GEP22	Deep Sea Electronics (DSE)	Deep Sea Electronics (DSE)	1870	0	Dah Sabz_Kabul Bagram Road	Complete
375	Kabul	KBL217	DG&CP	RID-20KVA	0	RID	NA	1000	0	PD 5_Sharak Amnyat Behind Dawad University	Complete
376	Kabul	KBL226	DG&CP	GEP22	0	LOVOTO	NA	1000	0	PD 4_Shahre Now Charye Torabaz khan	Complete
377	Kabul	KBL227	DG&CP	GEP22	0	Power Wizard 1.1	NA	3000	0	PD 2_Shahrak-e-Jade Asmaye near to Mohammadia Musaq	Complete
378	Kabul	KBL229	DG&CP&SC	GEP22	GEP22	DCP-10	DCP-10	1870	0	PD 9_Yakatoot Qaly Wazir	Complete
379	Kabul	KBL232	DG&SP	GEP22	GEP22	Power Wizard 1.1	Power Wizard 1.1	2000	0	Dah Sabz_Dehsabz	Complete
380	Kabul	KBL233	DG&CP	RID-20KVA	0	RID	NA	1000	0	PD 6_Shah rake 12 Imam	Complete
381	Kabul	KBL234	DG&DG	GEP22	GEP22	LOVOTO	LOVOTO	3000	0	PD 3_Karti 3, Pole surkh square, close Ariana TV	Complete
382	Kabul	KBL237	DG&CP	GEP22	0	Deep sea	0	3000	0	PD 12_Now Abad Bagrami	Complete
383	Kabul	KBL253	DG&CP	GEP22	0	Power Wizard 1.1	0	3000	0	PD 8_Kart-e-Naw Estgay Akhar	Complete
384	Kabul	KBL255	DG&CP	GEP22	0	Power Wizard 1.1	NA	3000	0	PD 4_Taimani street 8	Complete
385	Kabul	KBL256	DG&CP	RID-20KVA	0	RID	NA	1000	0	PD 17_Shahrak Talayei Adde Mazar	Complete
386	Kabul	KBL257	DG&SP	GEP22	GEP22	DCP-10	DCP-10	3000	0	PD 17_Kotali Khairkhana Shahrake Wahdad	Complete
387	Kabul	KBL261	DG&CP	GEP22	0	DCP-10	NA	3000	0	PD 5_Khushal Khan Qala Wazir	Complete
388	Kabul	KBL262	DG&SC	GEP22	super cap	DCP-10	NA	3000	0	PD 5_Sarke 40m Company	Partial
389	Kabul	KBL265	DG&CP	GEP22	0	DCP-10	0	3000	0	PD 9_Now Abade Shah Shahid	Complete
390	Kabul	KBL267	DG&CP	GEP22	0	DCP-10	NA	3000	0	PD 7_Wasel Abad, Sarak bala	Complete
391	Kabul	KBL268	DG&CP	GEP22	GEP22	Deep Sea Electronics (DSE)	NA	3000	0	PD 15_Qasaba/Khana Sazi	Complete
392	Kabul	KBL269	DG&SP	GEP22	GEP22	DCP-10	DCP-10	3000	0	Dah Sabz_Sarak naw Charhe Genral Zarawar	Complete
393	Kabul	KBL270	DG&CP	RID-20KVA	0	RID	NA	1000	0	PD 14_Sare Tapi Shahrak Mulla Ezat	Complete
394	Kabul	KBL274	DG&CP	RID-20KVA	0	RID	NA	1000	0	PD 13_Qalai Wahid Daryaye Chamchamast	Complete
395	Kabul	KBL275	DG&CP	RID-20KVA	0	RID	NA	1000	0	PD 6_Shahrak omid sabz	Complete
396	Kabul	KBL276	DG&CP	GEP22	CP	DCP-10	NA	3000	0	PD 14_Shahrak Etifaq	Complete
397	Kabul	KBL277	DG&HB	GEP22	GEP9	DCP-10	DCP-10	3000	0	PD 11_Sarake Rosah G-Afsotar	Partial



398	Kabul	KBL278	DG&CP	GEP22	CP	DCP-10	NA	3000	0	Qara Bagh_Sardar Big	Complete
399	Kabul	KBL279	DG&CP	GEP22	0	Power Wizard 1.1	NA	2000	0	PD 11_Lewa Baba Jan	Complete
400	Kabul	KBL285	DG&CP	RID-20KVA	0	RID	NA	1000	0	PD 2_Sare zir zamini Deh Afghanan	Complete
401	Kabul	KBL287	DG&CP	GEP22	CP	LOVOTO	0	3000	0	PD 19_Behind the Pulcharkhi Sharwale	Complete
402	Kabul	KBL289	DG&HB	GEP22	HB	LOVOTO	Power Wizard 1.0	3000	0	PD 19_lewa Zarbati policharkhi	Partial
403	Kabul	KBL294	DG&CP	GEP22	0	DCP-10	NA	3000	0	PD 1_Bala Hisar Shohaday Saleheen	Complete
404	Kabul	KBL295	DG&CP	GEP09	GEP09	Power Wizard 1.0	Power Wizard 1.0	3000	0	PD 17_Shahrak Zakirin sar-e- kotal	Complete
405	Kabul	KBL296	DG&CP	GEP09	CP	0	NA	3000	0	PD 11_315- Shah Dokan	Complete
406	Kabul	KBL303	DG&CP	GEP013	0	Power Wizard 2.0	NA	1000	0	PD 5_Sarke Paghman khwaja jam	Complete
407	Kabul	KBL306	DG&CP	RID-20KVA	0	RID	NA	1000	0	PD 5_Sarke Company Dewan Bigi	Complete
408	Kabul	KBL308	DG&CP	GEP13	0	Power Wizard 1.0	0	3000	0	PD 12_Arzan Qeemat Blocke 9	Complete
409	Kabul	KBL309	DG&CP	RID-20KVA	0	RID	0	1000	0	PD 12_Arzan Qeemat Blocke 15	Complete
410	Kabul	KBL310	DG&CP	RID-20KVA	0	RID	0	1000	0	PD 12_Arzan Qeemat Blocke 14 street 5	Complete
411	Kabul	KBL311	DG&CP	GEP13	0	Power Wizard 1.0	0	3000	0	PD 12_Charayee botkhak Blocke 12	Complete
412	Kabul	KBL313	DG&CP	GEP22	0	LOVOTO	0	3000	0	PD 12_Arzan Qeemat Blocke 2	Complete
413	Kabul	KBL325	DG&CP	GEP22	0	DCP-10	NA	3000	0	PD 13_Char Rahi Haji nawroz barchi	Complete
414	Kabul	KBL327	DG&CP	RID-20KVA	0	RID	NA	1000	0	PD 10_Sarke now Bemarow Qala Musa	Complete
415	Kabul	KBL332	DG&SC	GEP22	super cap	DCP-10	NA	3000	0	Shaker Darah_Kar-e- Doshman area	Complete
416	Kabul	KBL335	DG&CP	RID-20KVA	0	RID	0	1000	0	PD 8_Karte Naw Sake 1	Complete
417	Kabul	KBL338	DG&HB	GEP13	0	FG Wilson	NA	800	0	PD 17_Tahai e Maskan Badam Bagh Road	Partial
418	Kabul	KBL339	DG&CP	GEP22	0	DCP-10	NA	3000	0	PD 17_Pusht Kotal khair khana Sarke Omomi	Complete
419	Kabul	KBL344	DG&SP	GEP22	SP	Power Wizard 1.0	NA	5000	0	PD 7_Dih morad khan, now abad	Complete
420	Kabul	KBL347	DG&CP	RID-20KVA	0	RID	NA	1000	0	PD 3_Kota Sangi Infront of Abasin Zadran Market	Complete
421	Kabul	KBL348	DG&CP&SP	GEP22	0	Power Wizard 1.1	NA	1000	0	PD 1_Poli khishti Pashtoon Market	Complete
422	Kabul	KBL353	DG&CP	GEP13	0	Power Wizard 1.0	0	2000	0	PD 8_Kart-e-Naw Sarke 2	Complete
423	Kabul	KBL356	DG&CP	GEP22	CP	FG Wilson	NA	3000	0	PD 17_Bostani Kabul	Complete
424	Kabul	KBL357	DG&CP	GEP13	CP	Power Wizard 1.1	0	3000	0	PD 12_Arzan Qemat near to Mahbas	Complete
425	Kabul	KBL358	DG&CP	GEP9	0	Power Wizard 1.0	0	3000	0	PD 12_Arzan Qeemat Blocke 3 infront of Laghman Tower	Complete
426	Kabul	KBL359	DG&CP	GEP13	CP	Power Wizard 1.1	0	3000	0	PD 12_Arzan Qimat,Charahi Mamoriat	Complete
427	Kabul	KBL361	DG&CP	GEP09	0	Power Wizard 1.0	NA	3000	0	PD 6_Sarke char Qala chardih Poshte Awazee 6	Complete
428	Kabul	KBL362	DG&CP	GEP22	0	DCP-10	NA	3000	0	PD 3_Charahae Pole surkh	Complete
429	Kabul	KBL367	DG&SP	GEP22	GEP22	DCP-10	DCP-10	3000	0	Surubi_Jagdala	Complete
430	Kabul	KBL368	DG&HB	GEP22	GEP22	DCP-10	0	3000	0	Surubi_Dara-i-Osbin	Partial
431	Kabul	KBL369	DG&HB	GEP22	GEP13	DCP-10	DCP-10	3000	0	Qara Bagh_Bazare Qarabagh	Complete
432	Kabul	KBL373	DG&SC	GEP22	super cap	CAT	NA	3000	0	PD 11_Qalai Najara Khair Khana sarke Haji Chaman	Complete
433	Kabul	KBL374	DG&CP	RID-20KVA	0	RID	NA	1000	0	PD 6_Darulaman road, infront of Habibyar tower	Complete

434	Kabul	KBL382	DG&CP	RID-20KVA	0	RID	NA	1000	0	PD 5_Rigrishan Barchi	Complete
435	Kabul	KBL384	DG&CP	GEP22	0	CAT	NA	3000	0	PD 15_Khajah Bughra Sarke Mawade Mukhadar	Complete
436	Kabul	KBL385	DG&CP	GEP22	0	Power Wizard 1.0	0	3000	0	Bagrami_Husain khil Bagrami Qaryai Taraki	Complete
437	Kabul	KBL386	DG&CP	CAT22	0	Deep Sea Electronics (DSE)	NA	3000	0	PD 7_Deh Dana Doghabad	Partial
438	Kabul	KBL388	DG&SC	GEP22	0	DCP-10	NA	3000	0	PD 4_Parwan 2	Complete
439	Kabul	KBL392	DG&CP	RID-20KVA	0	RID	NA	1000	0	PD 13_Regreshan Dashte Barchi Behid Shah rake Urfani	Complete
440	Kabul	KBL394	DG&CP	GEP22	0	DCP-10	NA	3000	0	PD 11_near to Hotel Parwan Khair Khana	Complete
441	Kabul	KBL395	DG&SC	GEP22	super cap	Deep Sea Electronics (DSE)	NA	3000	0	PD 4_Chaharahi Tarafic Pohantoon Salaam	Partial
442	Kabul	KBL397	DG&SP	GEP13	CP	Power Wizard 2.0	NA	3000	0	PD 3_Charhe Dihbori	Complete
443	Kabul	KBL399	DG&SC	GEP22	super cap	Deep Sea Electronics (DSE)	NA	3000	0	PD 10_Airport Squere	Partial
444	Kabul	KBL406	DG&SC	GEP22	super cap	Power Wizard 1.1	0	3000	0	Bagrami_Shahrak Sayed Jamaludin	Complete
445	Kabul	KBL414	DG&CP	GEP13	0	Power Wizard 2.0	NA	3000	0	PD 16_Shahrak Qalai Zaman khan	Complete
446	Kabul	KBL415	DG&CP	RID-20KVA	0	RID	0	1000	0	PD 8_Rahman Mina Shahrak mayobeen	Complete
447	Kabul	KBL416	DG&HB	GEP13	GEP 9KV A	Power Wizard 2.0	Power Wizard 2.0	3000	0	PD 5_Dih Araban	Complete
448	Kabul	KBL441	DG&CP	GEP09	GEP 9KV A	Power Wizard 1.1	Power Wizard 1.1	3000	0	PD 13_Dashte Barchi Sang chal velage	Complete
449	Kabul	KBL418	DG&HB	GEP22	GEP 9	DCP-10	DCP-10	3000	0	PD 10_Tairmani Project	Complete
450	Kabul	KBL435	DG&SP	GEP09	GEP 9KV A	Power Wizard 1.1	Power Wizard 1.1	3000	0	PD 3_Karta3,Sarak Qala Wazi	Complete
451	Kabul	KBL436	DG&HB	GEP22	GEP 9	DCP-10	Power Wizard 1.1	3000	0	PD 17_Kotal e Khir khana Sarak e Marshal fahim	Partial
452	Kabul	KBL567	DG&SP	GEP22	GEP 22	Power Wizard 1.1	Power Wizard 1.1	11000	0	PD 17_Kotal Khair khana Kohe Do Paya near to Sharke Kamyab	Complete
453	Kabul	KBL460	DG&SP	GEP22	GEP 13	DCP-10	DCP-10	3000	0	Dah Sabz_Tapa-e-Bareak Ab	Complete
454	Bamyan	BMY001	DG&HB	GEP22	GEP 9	Power Wizard 1.1	Power Wizard 1.1	8000	3000	PD 3_Zargaran	Partial
455	Bamyan	BMY002	DG&SP	GEP22	GEP 22	Power Wizard 1.1	Power Wizard 1.1	8000	5000	PD 1_Qafala Bashi	Complete
456	Bamyan	BMY003	DG&SP	GEP22	GEP 22	DCP-10	DCP-10	13000	10000	Shebar_Shibar	Complete
457	Bamyan	BMY008	DG&SP	GEP22	GEP 22	Power Wizard 1.0	Power Wizard 1.0	14000	11000	Yakawulang_Band Amir	Complete
458	Bamyan	BMY009	DG&SP	GEP22	GEP 22	DCP-10	DCP-10	12000	9000	Yakawulang_Qagha natoo	Complete
459	Bamyan	BMY013	DG&DG	GEP22	GEP 22	DEPC Module	DEPC Module	15000	12000	Panjab_Kotal Sad Barg	Complete
460	Bamyan	BMY015	DG&SP	GEP22	GEP 22	Power Wizard 2.0	Power Wizard 2.0	11000	8000	Panjab_Aghzarat	Complete
461	Bamyan	BMY016	DG&SP	GEP22	GEP 22	Power Wizard 1.1	Power Wizard 1.1	11000	8000	Yakawulang_Khoe House Shah	Complete
462	Daikundi	DKN001	DG&SP	GEP22	GEP 22	Power Wizard 1.1	Power Wizard 1.1	6000	3000	NILI_Sang moom	Complete
463	Daikundi	DKN002	DG&SP	GEP22	GEP 22	Power Wizard 1.1	Power Wizard 1.1	11000	8000	ISHTARLAY_Kho-e-Tiendas Kamol	Complete
464	Ghazni	GZN001	DG&CP	65KV	33kv	power wizard 1.1	power wizard 1.1	5000	0	PD 2_Qumandani	Complete
465	Ghazni	GZN002	DG&CP	GEP22	0	DCP-10	AN	3000	0	PD 2_Hakime Sanayee	Complete
466	Ghazni	GZN003	DG&CP	GEP22	0	power wizard 1.1	NA	3000	0	PD 5_Qalay Qadam	Complete
467	Ghazni	GZN005	DG&CP	GEP22	0	DCP-10	NA	5000	0	PD 3_Shah Mir sahib	Complete

468	Ghazni	GZN006	DG&CP	GEP22	0	power wizard 1.1	NA	5000	0	PD 5_Haidar Abad	Complete
469	Ghazni	GZN007	DG&CP&SP	GEP09	9KV	power wizard 0.1	NA	3000	0	PD 2_Khake Ghariba	Complete
470	Ghazni	GZN009	DG&SC	GEP22	super cap	DCP-10	NA	3000	0	PD 3_Deh Khodaydad	Complete
471	Ghazni	GZN012	DG&SP	GEP22	22KV	DCP-10	DCP_10	5000	0	GYLAN_Markaze Gylan	Complete
472	Ghazni	GZN013	DG&SC	GEP22	super cap	DCP-10	NA	5000	0	PD 3_Darwaze Ghazni	Complete
473	Ghazni	GZN016	DG&HB	GEP13	13KV	power wizard 0.1	power wizard 0.1	5000	0	JAGHORI_Angori	Partial
474	Ghazni	GZN018	DG&SP	GEP13	9KV	power wizard 0.1	power wizard 0.1	3000	0	KHOJA OMARI_Qalay Azad	Complete
475	Ghazni	GZN019	DG&SP	GEP13	13KV	power wizard 0.1	power wizard 0.1	5000	0	JAGHORI_Gardani Dawood	Complete
476	Ghazni	GZN031	DG&SP	GEP09	9KV	power wizard 0.1	power wizard 0.1	3000	0	PD 4_Spanday	Complete
477	Ghazni	GZN036	DG&SP	GEP22	22KV	power wizard 1.1	power wizard 1.1	8000	5000	JAGHORI_Kohe Baba	Complete
478	Ghazni	GZN037	DG&HB	GEP22	0	DCP-10	NA	3000	0	PD 3_Rawza	Partial
479	Ghazni	GZN042	DG&SP	GEP22	22KV	DCP-10	DCP_10	8000	5000	PD 3_Kotali Rawza	Complete
480	Ghazni	GZN047	DG&DG	GEP13	13KV	power wizard 1.1	DCP_10	8000	5000	JAGHORI_Kotali Zerk	Complete
481	Ghazni	GZN056	DG&SP	GEP22	SP	DCP-10	NA	3000	0	PD 4_PRT Ghazni	Complete
482	Ghazni	GZN060	DG&CP	GEP13	0	power wizard 1.1	NA	3000	0	PD 5_Qalay Qadam	Complete
483	Ghazni	GZN063	DG&SP	GEP09	GEP09	power wizard 0.1	power wizard 0.1	3000	0	RASHEEDAN_Kohi Rashidan	Complete
484	Kapisa	KPS003	DG&SP	GEP22	GEP22	DCP-10	DCP-10	6000	3000	Nijrab_Tapi Najrab	Complete
485	Kapisa	KPS006	DG&CP	GEP22	0	DCP-10	NA	3000	0	Mahmood Raqi (Center)_Markaz Guldan	Complete
486	Kapisa	KPS007	DG&SC	GEP22	super cap	DCP-10	NA	3000	0	Mahmood Raqi (Center)_Shabazkhi I	Complete
487	Kapisa	KPS008	DG&CP	GEP22	CP	Power Wizard 1.1	NA	3000	0	Mahmood Raqi (Center)_Deh Babali	Complete
488	Kapisa	KPS010	DG&DG	GEP22	GEP9	DCP-10	DCP-10	3000	0	Nijrab_near to Jaraw Bazar	Complete
489	Kapisa	KPS031	DG&SP	GEP22	GEP22	DCP-10	Power Wizard 1.1	3000	0	Mahmood Raqi (Center)_Naow Abad	Complete
490	Khost	KWT001	DG&CP	GEP22	22KVA	Power Wizard 1.0	DCP-10	5000	0	PD 3_Ghazi Nawaz office	Complete
491	Khost	KWT005	DG&CP&SP	GEP22	0	DCP-10	DCP-10	5000	0	PD 2_Panzaya kalay, Gurbaz road	Complete
492	Khost	KWT009	DG&SC	GEP22	super cap	Power Wizard 1.0	Power Wizard 1.0	3000	0	SABARI_Yakubi bazar, inside Madrasa	Complete
493	Khost	KWT010	DG&HB	GEP22	22KVA	Power Wizard 1.0	Power Wizard 1.0	3000	0	PD 3_Panikzee Lakan road	Partial
494	Khost	KWT011	DG&SP	GEP22	22KVA	DCP-10	DCP-10	3000	0	MATON_Lakan, China village	Complete
495	Khost	KWT012	DG&HB	GEP22	22KVA	DCP-10	DCP-10	3000	0	MANDOZAI_Dar khana village	Partial
496	Khost	KWT013	DG&SP	GEP22	ACB	DCP-10	0	3000	0	MANDOZAI_dwa sarak,	Complete
497	Khost	KWT015	DG&HB	GEP22	22KVA	DCP-10	DCP-10	3000	0	GURBUZ_Shiekham ir Kalay	Partial
498	Khost	KWT017	DG&SP	GEP22	22KVA	DCP-10	DCP-10	3000	0	MATON_Kajiry village	Complete
499	Khost	KWT020	DG&SP	GEP22	22KVA	Power Wizard 1.0	Power Wizard 1.0	9000	6000	TANAY_on top Teraghar	Complete
500	Khost	KWT026	DG&SC	GEP22	super cap	DCP-10	Power Wizard 1.0	3000	0	TANAY_Nariza village	Complete
501	Khost	KWT027	DG&SP	GEP09	9KVA	Power Wizard 1.0	Power Wizard 1.0	3000	0	NADIR SHAH KOT_Zani khail	Complete
502	Khost	KWT031	DG&CP	GEP22	CP	Power Wizard 1.0	Power Wizard 1.0	3000	0	MATON_Bashi khel	Complete
503	Khost	KWT033	DG&CP	GEP22	22KVA	DCP-10	DCP-10	2000	0	PD 2_Sargardan chawk, Salam plaza	Complete

504	Khost	KWT035	DG&SP	GEP09	9KV A	Power Wizard 1.0	Power Wizard 1.0	3000	0	PD 4_ Mata china village	Complete
505	Logar	LGR001	DG&HB	GEP22	GEP 22	Power Wizard 1.1	power wazard1.1	3000	0	Mohamad Agha_Shahi kala village	Partial
506	Logar	LGR002	DG&SP	GEP22	GEP 22	Power Wizard 1.1	DCP-10	3000	0	Pol-e-Alam (Center)_Hesarak village on top of hill	Complete
507	Logar	LGR009	DG&SP	GEP22	GEP 22	DCP-10	DCP-10	3000	0	Pol-e-Alam (Center)_Poza e Nyazi	Complete
508	Logar	LGR011	DG&SC	GEP22	super cap	Power Wizard 2.0	Power Wizard 1.1	2200	0	Mohamad Agha_Khodikhel, near to Kamal khel village	Complete
509	Logar	LGR012	DG&HB	GEP22	0	Power Wizard 1.1	Power Wizard 1.1	3000	0	Baraki Barak_Qal'a-i-Wardak, barake road	Partial
510	Logar	LGR018	DG&SP	GEP22	GEP 22	#N/A	#N/A	2200	0	Pol-e-Alam (Center)_LGR-PKT road near to Shing Military base	Complete
511	Wardak	WDK031	DG&HB	GEP22	GEP 9	Power Wizard 1.0	DCP-10	6000	3000	Chak_Abkazar-Karakat	Partial
512	Wardak	WDK035	DG&SP	GEP22	22K VA	Power Wizard 1.0	Power Wizard 1.0	6000	3000	Chak_Zalgari	Complete
513	Wardak	WDK036	DG&DG	GEP22	22K V	DCP-10	DCP-10	9000	6000	Chak_Abkazar-Tarmohammad	Complete
514	Wardak	WDK037	DG&HB	GEP22	GEP 9	Power Wizard 1.0	DCP-10	5000	2000	Chak_Sarposh	Partial
515	Paktia	PKT002	DG&SP	GEP22	22K VA	Power Wizard 1.0	Power Wizard 1.0	8000	5000	PD 4_Tera Kotal	Complete
516	Paktia	PKT003	DG&CP&S P	GEP22	ACB	Power Wizard 1.0	0	5000	0	PD 4_Said Karam line Kirmashi village	Complete
517	Paktia	PKT004	DG&CP	GEP22	0	Power Wizard 1.0	0	3000	0	PD 3_Share Now, near to mokhaberat	Complete
518	Paktia	PKT005	DG&SP	GEP22	22K VA	DCP-10	DCP-10	6000	0	AHMAD KHIL_Near Ahmad khel district	Complete
519	Paktia	PKT007	DG&CP	GEP33	CP	Power Wizard 1.0	Power Wizard 1.0	5000	0	PD 2_Kabul Adda, Roba Saydi village	Complete
520	Paktia	PKT008	DG&CP	GEP22	0	Power Wizard 1.0	0	3000	0	PD 4_Nawrozkhil village	Complete
521	Paktia	PKT010	DG&HB	GEP22	22K VA	DCP-10	DCP-10	5000	0	ZURMAT_behind Tamir bazar	Partial
522	Paktia	PKT012	DG&HB	GEP22	22K VA	Power Wizard 1.0	Power Wizard 1.0	6000	3000	DAND-E-PATAN_Nari Kandow, moqbal village	Partial
523	Paktia	PKT013	DG&HB	GEP22	22K VA	Power Wizard 1.0	Power Wizard 1.0	8000	5000	ALI KHIL_Gawee sar near to deorand line	Partial
524	Paktia	PKT018	DG&HB	GEP22	22K VA	DCP-10	DCP-10	6000	3000	ALI KHIL_near to Aryob Zazai district	Partial
525	Paktia	PKT019	DG&SP	GEP22	22K VA	Power Wizard 1.0	Power Wizard 1.0	10000	5000	SHWAK_Sato Kandaw	Complete
526	Paktia	PKT020	DG&CP&S C	GEP22	super cap	DCP-10	0	3000	0	PD 3_Zurmat line, mangalo kala	Complete
527	Paktia	PKT021	DG&CP	GEP22	CP	Power Wizard 1.0	0	3000	0	PD 5_Dawlat Zai village, near to qoli urdo	Complete
528	Paktia	PKT024	DG&ACB	GEP22	ACB	Power Wizard 1.0	0	3000	0	SAID KARAM_Alangai village	Complete
529	Paktika	PKK002	DG&SP	GEP22	22K V	Power Wizard 1.0	DCP-10	3000	0	PD 1_Sharana bazar	Complete
530	Paktika	PKK028	DG&SP	GEP22	22K V	Power Wizard 1.0	Power Wizard 1.0	3000	0	URGON_Khana dar villege, near to District	Complete
531	Panjsher	PJR002	DG&DG	GEP22	GEP 22	DCP-10	Power Wizard 1.1	11000	8000	HISA-I-AWALI KOHISTAN_Darband	Complete
532	Panjsher	PJR004	DG&SC	GEP22	super cap	Power Wizard 1.1	NA	3000	0	UNABA_Tawakh	Complete
533	Parwan	PRN002	DG&SP	GEP22	SP	LOVOTO	NA	3000	0	Bagram_Jangadam 1	Complete
534	Parwan	PRN003	DG&ACB	GEP22	ACB	Power Wizard 1.1	NA	3000	0	Bagram_Bazar Bagram Darwazi Bagram	Complete
535	Parwan	PRN009	DG&HB	GEP22	GEP 22	Power Wizard 1.1	Power Wizard 1.1	10000	5000	Shaykh Ali_Miyana Koh	Partial

536	Parwan	PRN010	DG&HB	GEP22	GEP22	DCP-10	Power Wizard 1.1	6000	3000	Syahgird (Ghorband)_Sayagard	Partial
537	Parwan	PRN014	DG&CP	GEP22	CP	Power Wizard 1.1	NA	3000	0	Charikar_Parcha Hashat	Complete
538	Parwan	PRN016	DG&SC	GEP22	super cap	DCP-10	NA	1870	0	Charikar_Qalachi Sokhta	Complete
539	Parwan	PRN017	DG&HB	GEP22	GEP22	Power Wizard 1.1	DCP-10	3000	0	Bagram_Qalay Khoja	Partial
540	Parwan	PRN018	DG&HB	GEP22	GEP9	DCP-10	Power Wizard 1.1	6000	3000	Surkhi Parsa_khakariz	Partial
541	Parwan	PRN021	DG&CP	GEP22	CP	DCP-10	NA	3000	0	Bagram_Shaka	Complete
542	Parwan	PRN023	DG&SP	GEP22	GEP22	DCP-10	DCP-10	3000	0	Bagram_Qalai Bashi	Complete
543	Parwan	PRN024	DG&CP	GEP22	CP	Power Wizard 1.1	NA	5000	0	Bagram_Dosaraka Bagram	Complete
544	Parwan	PRN025	DG&HB	GEP22	GEP9	Power Wizard 1.1	Power Wizard 1.1	6000	3000	Surkhi Parsa_Bland khana	Partial
545	Parwan	PRN033	DG&DG	GEP22	GEP22	DCP-10	Power Wizard 1.1	3000	0	Charikar_Poli Lashmak	Complete
546	Parwan	PRN037	DG&CP	GEP22	CP	Power Wizard 1.1	NA	3000	0	Charikar_Parche Hashat	Complete
547	Parwan	PRN044	DG&CP	GEP09	CP	Power Wizard 1.1	NA	3000	0	Charikar_Chaharikar	Complete
548	Parwan	PRN046	DG&DG	GEP22	GEP22	DCP-10	DCP-10	3000	0	Bagram_Sare Sayad	Complete
549	Parwan	PRN048	DG&CP	GEP09	CP	Power Wizard 1.1	Power Wizard 1.1	3000	0	Charikar_Market	Complete
550	Parwan	PRN049	DG&HB	GEP22	GEP13	Power Wizard 1.1	Power Wizard 1.1	6000	3000	Surkhi Parsa_Dare-Torkman	Partial
551	Wardak	WDK002	DG&HB&SP	GEP22	Solar	DCP-10	0	5000	0	Maidan Shahr_Ibrahimkhail	Partial
552	Wardak	WDK003	DG&SP	GEP22	0	Power Wizard 1.0	0	6000	3000	Maidan Shahr_Charaka	Complete
553	Wardak	WDK004	DG&SP	GEP22	22KV	DCP-10	0	5000	0	Sayyid Abad_Haft Asyab	Complete
554	Wardak	WDK005	DG&HB	GEP22	GEP9	DCP-10	0	5000	0	Sayyid Abad_Jakshane Barq	Partial
555	Wardak	WDK006	DG&HB	GEP22	22KV	DCP-10	0	5000	0	Sayyid Abad_Dashte Top	Partial
556	Wardak	WDK007	DG&SP	GEP22	22KV	Power Wizard 1.0	Power Wizard 1.0	9000	6000	Nerkh_Dorane	Complete
557	Wardak	WDK008	DG&SP	GEP22	22KV	Power Wizard 1.0	Power Wizard 1.0	5000	0	Sayyid Abad_Shash Gow	Complete
558	Wardak	WDK009	DG&SP	GEP22	22KV	Power Wizard 1.0	0	9000	6000	PD 1_Kotale Midan shar	Complete
559	Wardak	WDK010	DG&SP	GEP22	GEP09	DCP-10	Power Wizard 1.0	3000	0	Sayyid Abad_Salar	Complete
560	Wardak	WDK011	DG&SP	GEP22	GEP09	Power Wizard 1.0	DCP-10	3000	0	Sayyid Abad_Tange Worsak	Complete
561	Wardak	WDK013	DG&HB	GEP22	22KV	DCP-10	DCP-10	3000	0	Chak_Shirkhana-Alaymat	Partial
562	Wardak	WDK014	DG&HB	GEP22	GEP9	DCP-10	Power Wizard 1.0	6000	3000	Chak_Ombakhak	Partial
563	Wardak	WDK018	DG&SP	GEP22	22KV	Power Wizard 1.0	Power Wizard 1.0	6000	3000	Maidan Shahr_Rashko	Complete
564	Wardak	WDK024	DG&HB	GEP22	GEP9	Power Wizard 1.0	DCP-10	6000	3000	Chak_Tange Sayadan	Partial
565	Wardak	WDK025	DG&HB	GEP22	GEP9	DCP-10	DCP-10	6000	3000	Chak_Adam khail	Partial
566	Wardak	WDK027	DG&HB	GEP22	22KV	DCP-10	DCP-10	6000	3000	Chak_Sayb - Mokhtoma	Partial
567	Wardak	WDK028	DG&HB	GEP22	GEP9	Power Wizard 1.0	DCP-10	6000	3000	Chak_Shah Baz Khan	Partial
568	Wardak	WDK029	DG&HB	GEP22	GEP9	Power Wizard 1.0	DCP-10	6000	3000	Chak_Majad Koday	Partial
569	Wardak	WDK044	DG&SP	GEP13	13KVA	Power Wizard 1.0	0	3000	0	Sayyid Abad_Salar-Takia maktab	Complete
570	Nangarhar	NGR001	DG&CP	GEP22	0	Power Wizard 1.0	n/a	3000	0	SURKHROAD_Qalai Marup	Complete
571	Nangarhar	NGR002	DG&CP	GEP22	CP	Power Wizard 1.0	Power Wizard 1.0	3000	0	SURKHROAD_Sultan Por	Complete
572	Nangarhar	NGR005	DG&SP	GEP09	GEP09	Power Wizard 1.0	Power Wizard 1.0	5000	0	HESARAK_Jokaan	Complete
573	Nangarhar	NGR007	DG&SP	GEP22	solar	DCP-10	N/A	3000	0	KHOGYANI_Sardar Banda	Complete

574	Nangarhar	NGR009	DG&SC	GEP22	SC	DCP-10	n/a	5000	0	RODAT_Rodat Bazar	Complete
575	Nangarhar	NGR011	DG&SC	GEP13	super cap	Power Wizard 1.0	Power Wizard 1.0	5000	0	ACHIN_Abdulkeheel	Complete
576	Nangarhar	NGR012	DG&SP	GEP22	solar	DCP-10	0	5000	0	KHEWA_Islam Por	Complete
577	Nangarhar	NGR013	DG&SP	GEP22	solar	DCP-10	Power Wizard 1.0	5000	0	GHANIKHEEL_Ghanikheel Bazar	Complete
578	Nangarhar	NGR014	DG&SC	GEP22	super cap	DCP-10	DCP-10	5000	0	GHANIKHEEL_Marko Bazar	Complete
579	Nangarhar	NGR015	DG&SP	GEP13	solar	Power Wizard 1.0	Power Wizard 1.0	3000	0	KHEWA_Bazarak	Complete
580	Nangarhar	NGR022	DG&CP	GEP33	GEP 33+ CP	Power Wizard 1.0	DSE	3000	0	PD 2_Ali Baba Sherkat	Complete
581	Nangarhar	NGR026	DG&CP	GEP22	0	DCP-10	n/a	3000	0	PD 3_Hazratano Kosa	Complete
582	Nangarhar	NGR029	DG&HB	GEP22	GEP 22	Power Wizard 1.0	Power Wizard 1.0	5000	0	PD 9_Samarkheel	Partial
583	Nangarhar	NGR030	DG&HB	GEP22	GEP 22	Power Wizard 1.0	Power Wizard 1.0	5000	0	GHANIKHEEL_25th wiyala	Partial
584	Nangarhar	NGR031	DG&HB	GEP22	GEP 22	Power Wizard 1.0	Power Wizard 1.0	3000	0	GHANIKHEEL_27th wiyala	Complete
585	Nangarhar	NGR033	DG&SC	GEP22	super cap	DCP-10	Power Wizard 1.0	3000	0	MOMANDARA_Shahid Moor	Complete
586	Nangarhar	NGR035	DG&SP	GEP22	GEP 22	DCP-10	DCP-10	3000	0	RODAT_Hesar Shahe	Complete
587	Nangarhar	NGR038	DG&CP	GEP22	0	DCP-10	n/a	3000	0	PD 2_Lalzada Plaza	Complete
588	Nangarhar	NGR039	DG&CP	GEP22	0	DCP-10	n/a	3000	0	PD 3_Arabano Golay	Complete
589	Nangarhar	NGR043	DG&SP	GEP13	solar	Power Wizard 1.0	Power Wizard 1.0	3000	0	MOMANDARA_Ghazgai	Complete
590	Nangarhar	NGR047	DG&SC	GEP22	super cap	DCP-10	n/a	3000	0	ACHIN_Dih Sarak	Complete
591	Nangarhar	NGR044	DG&SP	GEP22	GEP 22	DCP-10	Power Wizard 1.0	5000	0	PD 8_Khas Behsod	Complete
592	Nangarhar	NGR048	DG&CP	GEP22	CP	Power Wizard 1.0	n/a	3000	0	PD 2_Per Bakhsh Markit	Complete
593	Nangarhar	NGR050	DG&SP&S C	GEP22	super cap	Power Wizard 1.0	n/a	3000	0	BATIKOT_Ghazi Abad	Complete
594	Nangarhar	NGR051	DG&SP&S C	GEP22	Solar&S C	Power Wizard 1.0	n/a	3000	0	DARA NOOR_Dara Noor District	Complete
595	Nangarhar	NGR052	DG&SC	GEP09	super cap	Power Wizard 1.0	Power Wizard 1.0	3000	0	HASKA MEENA_Papeen Village	Complete
596	Nangarhar	NGR055	DG&HB	GEP22	GEP 13	Power Wizard 1.0	Power Wizard 1.0	3000	0	SHIRZAD_Nokurkheel	Complete
597	Nangarhar	NGR058	DG&CP	GEP22	GEP 22	Power Wizard 1.0	Power Wizard 1.0	3000	0	PD 8_Qala E Janan Khan	Complete
598	Nangarhar	NGR059	DG&SP	GEP22	ACB	DCP-10	n/a	3000	0	PD 4_Moqam Khan	Complete
599	Nangarhar	NGR060	DG&CP	GEP22	GEP 22	Power Wizard 1.0	Power Wizard 1.0	3000	0	SURKHROAD_Nazar Abad	Complete
600	Nangarhar	NGR062	DG&SC	GEP22	super cap	Power Wizard 1.0	DCP-10	3000	0	PD 9_Akhunzada Saib	Complete
601	Nangarhar	NGR063	DG&CP	GEP275	135/400 Kva	Power Wizard 1.0	Power Wizard 1.0	9000	4000	PD 1_MSC - Office	Complete
602	Nangarhar	NGR065	DG&SP	GEP22	Solar	DCP-10	N/A	3000	0	PD 9_Khalis Family	Complete
603	Nangarhar	NGR067	DG&SP	GEP22	GEP 22	DCP-10	DCP-10	3000	0	KHOGYANI_Chamtala	Complete
604	Nangarhar	NGR068	DG&SP	GEP22	GEP 22	Power Wizard 1.0	Power Wizard 1.0	3000	0	SURKHROAD_Shaikh Mesri	Complete
605	Nangarhar	NGR071	DG&SP	GEP09	GEP 09	Power Wizard 1.0	Power Wizard 1.0	3000	0	MOMANDARA_Gardi Ghawse	Complete
606	Nangarhar	NGR073	DG&SP	GEP22	GEP 22	Power Wizard 1.0	Power Wizard 1.0	3000	0	KAMA_Landa Boch	Complete
607	Nangarhar	NGR077	DG&CP	GEP22	GEP 22	Power Wizard 1.0	Power Wizard 1.0	3000	0	PD 1_Choshma_E_Khanjee	Complete

608	Nangarhar	NGR078	DG&SP	GEP13	GEP13	Power Wizard 1.0	Power Wizard 1.0	3000	0	PD 8_Daman	Complete
609	Nangarhar	NGR079	DG&CP	GEP22	GEP22	DCP-10	Power Wizard 1.0	3000	0	SURKHROAD_Reng Road	Complete
610	Nangarhar	NGR085	DG&CP	GEP22	0	DCP-10	n/a	3000	0	PD 7_Zeranai	Complete
611	Nangarhar	NGR087	DG&CP	GEP22	GEP9	DCP-10	Power Wizard 1.0	3000	0	PD 7_Bagrami Moor	Complete
612	Nangarhar	NGR088	DG&CP	GEP22	0	Deep Sea Electronics (DSE)	n/a	3000	0	PD 2_Ethad Plaza	Complete
613	Nangarhar	NGR090	DG&SP	GEP22	GEP22	LEVATTO	LEVATTO	3000	0	SURKHROAD_Amar kheel	Complete
614	Nangarhar	NGR091	DG&SP	GEP09	GEP09	Power Wizard 1.0	Power Wizard 1.0	3000	0	RODAT_Mazina	Complete
615	Nangarhar	NGR098	DG&CP	GEP09	CP	Power Wizard 1.0	N/A	3000	0	PD 2_Ahangarano Kosa	Complete
616	Nangarhar	NGR103	DG&CP	GEP22	GEP22	Deep Sea Electronics (DSE)	DCP-10	3000	0	PD 2_City Plaza	Complete
617	Nangarhar	NGR104	DG&CP	GEP22	GEP22	DCP-10	n/a	5000	0	PD 7_Bakhtan	Complete
618	Nangarhar	NGR108	DG&SC	GEP22	GEP22	DCP-10	DCP-10	2000	0	PD 9_Zangwai Area	Complete
619	Nangarhar	NGR111	DG&SP	GEP22	GEP22	LEVATTO	LEVATTO	3000	0	PD 8_Kame pull	Complete
620	Nangarhar	NGR115	DG&SP&S C	GEP13	super cap	Power Wizard 1.0	Power Wizard 1.0	3000	0	PD 6_Tapa Television	Complete
621	Nangarhar	NGR116	DG&SP	GEP09	GEP9	Power Wizard 1.0	Power Wizard 1.0	3000	0	KHEWA_Khewe Bazar	Complete
622	Nangarhar	NGR121	DG&SC	GEP13	super cap	Power Wizard 1.0	Power Wizard 1.0	3000	0	PD 8_Daman	Complete
623	Nangarhar	NGR122	DG&CP&S P	GEP09	GEP9	Power Wizard 1.0	Power Wizard 1.0	3000	0	PD 3_5th Water Pump	Complete
624	Nangarhar	NGR128	DG&SP&S C	GEP13	super cap	Power Wizard 1.0	Power Wizard 1.0	3000	0	SURKHROAD_Sya5 ang	Complete
625	Nangarhar	NGR124	DG&SP	GEP09	GEP9	Power Wizard 1.0	Power Wizard 1.0	3000	0	SURKHROAD_Dih Walid	Complete
626	Nangarhar	NGR125	DG&SC	GEP22	super cap	Deep Sea Electronics (DSE)	N/A	3000	0	CHAPERHAR_Hada Akhonzada	Complete
627	Nangarhar	NGR127	DG&CP	GEP22	0	Power Wizard 1.0	N/A	3000	0	PD 4_Bez Ekmalati	Complete
628	Nangarhar	NGR131	DG&CP	GEP13	GEP9	Power Wizard 1.0	Power Wizard 1.0	3000	0	PD 1_Campona	Complete
629	Nangarhar	RPT_KNR009	DG&SP	GEP22	GEP22	#N/A	#N/A	3000	0	Khas kunar	Complete
630	Kuner	KNR007	DG&HB	GEP22	GEP9	DCP-10	Power wizard 1.0	3000	0	SAWKAI_Sawkai Bazar	Partial
631	Kuner	KNR012	DG&SP	GEP13	GEP13	Power Wizard 1.0	Power Wizard 2.0	3000	0	NOORGAL_Sarband Bila	Complete
632	Laghman	LGM001	DG&SP	GEP22	GEP22	Power Wizard 1.0	Power Wizard 1.0	5000	0	ALISHANG_Alishang District	Complete
633	Laghman	LGM002	DG&SP	GEP22	GEP22	Power Wizard 1.0	Power Wizard 1.0	5000	0	ALINGAR_Shaikh Sb_Alajgar village	Complete
634	Laghman	LGM006	DG&CP	GEP22	CP	DCP-10	n/a	3000	0	PD 1_Teergarai	Complete
635	Laghman	LGM007	DG&CP&S P	GEP22	GEP22	DCP-10	DCP-10	5000	0	QARGHAI_Surkhakan	Complete
636	Laghman	LGM008	DG&SP	GEP22	Solar	Power Wizard 1.0	Power Wizard 1.0	5000	0	QARGHAI_Gul ghundai	Complete
637	Laghman	LGM010	DG&SP&S C	GEP22	super cap	DCP-10	n/a	3000	0	ALINGAR_Salingar	Complete
638	Laghman	LGM012	DG&SP	GEP13	GEP13	Power Wizard 1.0	Power Wizard 1.0	3000	0	QARGHAI_Kaa Kas	Complete
639	Laghman	LGM014	DG&HB	GEP22	GEP09	Power Wizard 1.0	Power Wizard 1.0	3000	0	ALINGAR_Noor U Laam Dara	Partial
640	Laghman	LGM015	DG&SP	GEP13	GEP13	Power Wizard 1.0	Power Wizard 1.0	3000	0	BADPAKH_Badpakh District	Complete
641	Laghman	LGM016	DG&SP	GEP09	GEP09	Power Wizard 1.0	Power Wizard 1.0	5000	0	ALISHANG_Islam Abad	Complete
642	Laghman	LGM018	DG&SP	GEP22	GEP22	DCP-10	DCP-10	5000	0	QARGHAI_Mashala Qamar	Complete

643	Laghman	LGM019	DG&CP&SP	GEP22	CP	Power Wizard 1.0	Power Wizard 1.0	3000	0	PD 4_Maryam	Complete
644	Laghman	LGM020	DG&SP	GEP13	0	Power Wizard 1.0	Power Wizard 1.0	3000	0	QARGHAI_Khairokheel	Complete
645	Laghman	LGM023	DG&CP	GEP22	CP	DCP-10	Power Wizard 1.0	3000	0	PD 1_Chelmatti	Complete
646	Laghman	LGM030	DG&SP&SC	GEP22	super cap	Power Wizard 1.0	DCP-10	5000	0	ALINGAR_Kotal	Complete
647	Laghman	LGM032	DG&CP&SP	GEP22	0	Power Wizard 1.0	n/a	3000	0	PD 3_Younas Chawk	Complete
648	Nangarhar	LGM034	DG&CP&SP	GEP13	CP	Power Wizard 1.0	N/A	3000	0	PD 2_Sultan Ghzai Shahrak	Complete
649	Laghman	LGM038	DG&SP	GEP09	GEP09	Power Wizard 1.0	Power Wizard 1.0	2000	0	QARGHAI_Aziz Khan Kas	Complete
650	Nangarhar	LGM039	DG&SP&SC	GEP13	super cap	Power Wizard 1.0	N/A	3000	0	QARGHAI_Farman Kheel	Complete
651	Laghman	LGM042	DG&SP	GEP09	GEP09	Power Wizard 1.0	Power Wizard 1.0	5000	0	ALISHANG_Kalatak	Complete
652	Laghman	NGR064	DG&SP	GEP22	GEP22	#N/A	#N/A	5000	0	QARGHAI_Gamberi	Complete
653	Laghman	RPT_JLDO10	DG&SP	GEP22	GEP22	Power Wizard 1.0	Power Wizard 1.0	3000	0	Kho-e-Gambari	Complete
654	Nooristan	NST001	DG&SP	GEP09	GEP09	Power Wizard 1.0	Power Wizard 1.0	3000	0	NINGARAJ_Kalagos h village	Complete
655	Balkh	BDS014	DG&HB	GEP22	GEP9	DCP-10	Power Wizard 1.0	3000	0	GHORMACH_Sara woloswaly	Partial
656	Badghis	BDS008	DG&SP	GEP22	GEP9	DCP10	Power Wizard 1.0	3000	0	BALA MORGHAB_Quroto	Complete
657	Balkh	BDS015	DG&HB	GEP22	GEP9	DCP-10	Power Wizard 1.0	3000	0	GHORMACH_Qalae Wali village	Partial
658	Balkh	BKH001	DG&CP	GEP22	GEP-22KVA	DCP-10	DCP-10	3000	0	BALKH_Daan Mandai	Complete
659	Balkh	BKH004	DG&CP	GEP22	GEP-9KVA	DCP-10	Power Wizard 1.0	3000	0	CHEMTAL_Qarya Chamtaal, Chental markazi	Complete
660	Balkh	BKH005	DG&SP	GEP22	GEP-22KVA	DCP-10	Power Wizard 1.0	3000	0	CHAR BOLAK_Charbolak crossroad	Complete
661	Balkh	BKH008	DG&HB	GEP22	GEP-22KVA	Power Wizard 1.1	Power Wizard 1.1	3000	0	DAWLAT ABAD_Dawlat abad, close to district building	Partial
662	Balkh	BKH009	DG&SP	GEP-13KVA	GEP-13KVA	Power Wizard 2.0	Power Wizard 2.0	3000	0	NAHRI SHAHI_Abe Ganda	Complete
663	Balkh	BKH011	DG&CP	GEP13	GEP-13KVA	Power Wizard 2.0	Power Wizard 2.0	3000	0	NAHRI SHAHI_Siah gird village	Complete
664	Balkh	BKH013	DG&CP	GEP13	GEP-13KVA	Power Wizard 2.0	N/A	3000	0	BALKH_Hesarak village	Complete
665	Balkh	BKH018	DG&CP	GEP22	GEP-13KVA	DCP-10	Power Wizard 1.0	3000	0	PD 6_Guzar Marmul, Aghay Khormaie	Complete
666	Balkh	BKH019	DG&CP	GEP22	0	Power Wizard 1.1	N/A	5000	0	PD 4_Karte_2 Zahiruddin faryabi	Complete
667	Balkh	BKH022	DG&CP	RID-20KVA	RID-20KVA	RID	RID	1000	0	PD 9_Sakhi abad, close to chawki kefayat, inside Sarai	Complete
668	Balkh	BKH024	DG&CP	GEP22	GEP-13KVA	Power Wizard 1.1	Power Wizard 2.0	1000	0	PD 4_Choghdak, close to Zabihullah mosque	Complete
669	Balkh	BKH025	DG&CP	RID-20KVA	RID-20KVA	RID	RID	1000	0	PD 9_Dashte shoor, koche shash	Complete
670	Balkh	BKH026	DG&CP	GEP13	GEP-13KVA	Power Wizard 2.0	Power Wizard 2.0	3000	0	PD 10_Karte wahdat, Behind Imam Jafar Madrasa	Complete
671	Balkh	BKH027	DG&CP	GEP22	CP	DCP-10	N/A	3000	0	PD 10_Ali Chupan, Koche Dawa khana, close to Ali chopan bridge	Complete
672	Balkh	BKH028	DG&CP	RID-20KVA	RID-20KVA	RID	RID	1000	0	PD 5_Koche UNAMA	Complete
673	Balkh	BKH030	DG&CP	RID-20KVA	RID-20KVA	RID	RID	1000	0	PD 8_Dashte shoor, 10 east street	Complete



674	Balkh	BKH031	DG&CP	GEP22	GEP-13KVA	Power Wizard 2.0	N/A	3000	0	PD 7_Pole tasadi, Masjide qurban qol	Complete
675	Balkh	BKH032	DG&SP	GEP22	GEP-22KVA	DCP-10	DCP-10	3000	0	NAHRI SHAHI_Gore Mar, Close to MZR Gate, sari tepa	Complete
676	Balkh	BKH033	DG&CP	GEP22	GEP-22KVA	Power Wizard 1.1	N/A	5000	0	KHOLM_MZR-KBL High way, Dashti kholm	Complete
677	Balkh	BKH034	DG&CP	GEP22	0	DCP-10	N/A	3000	0	PD 7_Sayeed abad, close to Sangi kalan mosque	Complete
678	Balkh	BKH035	DG&SP	GEP22	GEP-9KV A	DCP-10	Power Wizard 1.0	3000	0	CHAR BOLAK_Char Bolak, Temorak	Complete
679	Balkh	BKH037	DG&ACB	GEP22	0	LOVOTO	N/A	5000	0	CHAR KENT_Shadyan village	Complete
680	Balkh	BKH038	DG&CP	RID-20KVA	0	RID	N/A	1000	0	DEHDADI_Sholgar main road, Pole imam bokri	Complete
681	Balkh	BKH041	DG&SP	GEP13	GEP-9KV A	Power Wizard 2.0	Power Wizard 1.0	3000	0	DEHDADI_Zumbok han village	Complete
682	Balkh	BKH042	DG&ACB	GEP22	0	DCP-10	N/A	3000	0	CHEMTAL_Imam saib village, Bargah	Complete
683	Balkh	BKH043	DG&SP	GEP22	GEP-22KVA	DCP-10	DCP-10	3000	0	SHORTEPA_Shortapa, Joye wakil.	Complete
684	Balkh	BKH044	DG&CP&SP	GEP09	GEP-9KV A	Power Wizard 1.0	Power Wizard 1.0	3000	0	DAWLAT ABAD_Qara Ghujla Village	Complete
685	Balkh	BKH045	DG&SC	GEP22	0	DCP-10	N/A	3000	0	BALKH_Diwali Maidan	Complete
686	Balkh	BKH046	DG&SP	GEP22	GEP-13KVA	Power Wizard 1.1	Power Wizard 2.0	3000	0	DAWLAT ABAD_Siwinchi Khoja, Baido	Complete
687	Balkh	BKH047	DG&SP	GEP-13KVA	GEP-13KVA	Power Wizard 2.0	Power Wizard 2.0	3000	0	CHAR BOLAK_Qawlachi village	Complete
688	Balkh	BKH048	DG&CP	GEP09	GEP-9KV A	Power Wizard 1.1	Power Wizard 1.1	3000	0	PD 2_Koche Almas hotel, opposite Almas hotel	Complete
689	Balkh	BKH050	DG&CP	RID-20KVA	RID-20KVA	RID	RID	1000	0	PD 5_Silo, Sangtrashi, close to chawke sham	Complete
690	Balkh	BKH051	DG&ACB	GEP22	0	DCP-10	Power Wizard 2.0	3000	0	CHEMTAL_Arab Mazari village	Complete
691	Balkh	BKH055	DG&SP&SC	GEP22	SC	Power Wizard 1.1	N/A	3000	0	PD 10_Police Acadamy	Complete
692	Balkh	BKH056	DG&HB	GEP22	GEP-13KVA	DCP-10	Power Wizard 2.0	3000	0	DEHDADI_Jare khoni	Partial
693	Balkh	BKH057	DG&CP	RID-20KVA	RID-20KVA	RID	RID	1000	0	PD 5_Serag Nizam Market, Darwaz-e-Balkh	Complete
694	Balkh	BKH059	DG&CP	RID-20KVA	RID-20KVA	RID	RID	1000	0	PD 5_Yolmarab, Paghmani	Complete
695	Balkh	BKH060	DG&CP	GEP22	GEP-22KVA	DCP-10	DCP-10	1000	0	PD 9_Zeraat behind Khaibar fuel tank	Complete
696	Balkh	BKH075	DG&CP	GEP13	GEP-13KVA	DCP-10	Power Wizard 2.0	3000	0	PD 10_Nasrat Abad	Complete
697	Balkh	BKH079	DG&CP	GEP09	GEP-9KV A	Power Wizard 1.1	Power Wizard 1.1	3000	0	PD 3_Barat Hotel	Complete
698	Balkh	BKH081	DG&CP	GEP22	0	LOVOTO	N/A	3000	0	PD 4_Kamarbande baba yadgar, koche karizi ha	Complete
699	Balkh	BKH082	DG&CP	GEP22	CP	DCP-10	N/A	3000	0	PD 10_Sajadia, 2nd crossroad	Complete
700	Balkh	BKH088	DG&CP	GEP22	0	RID	N/A	3000	0	PD 8_Mahbas-e-kohna, beside Rahnaward hospital	Complete
701	Balkh	BKH089	DG&CP	GEP22	GEP-22KVA	DCP-10	DCP-10	3000	0	PD 7_Karte khorasan1, opposite Atta mohammad school.	Complete
702	Balkh	BKH091	DG&CP	GEP22	0	DCP-10	N/A	3000	0	PD 9_Karte jafari, close to school	Complete
703	Balkh	BKH092	DG&CP	GEP22	GEP-22KVA	Power Wizard 1.1	N/A	3000	0	PD 4_MZR hotel, White house	Complete
704	Balkh	BKH093	DG&CP	GEP22	GEP-13KVA	DCP-10	Power Wizard 2.0	3000	0	PD 10_Karte Aryana, opposite Abuzari ghafari mosque	Complete

705	Balkh	BKH094	DG&CP	GEP22	0	Power Wizard 1.1	Power Wizard 1.0	3000	0	PD 7_MZR Terminal, Ghazanfar petroleum, behind Inter Asia co.	Complete
706	Balkh	BKH095	DG&CP	GEP-275KVA	GEP-250 KVA	N/A	Power Wizard 1.0	10000	0	PD 7_Darwaze Jamhori, Parke Ferdawsi, Etisalat regional office	Complete
707	Balkh	BKH096	DG&CP	GEP22	0	DCP-10	N/A	3000	0	PD 7_Behind zarafshan hotel, close to MZR Custom	Complete
708	Balkh	BKH097	DG&CP	RID-20KVA	RID-20KVA	RID	RID	1000	0	PD 3_Behind cinema-e-ghulam sakhi sabz	Complete
709	Balkh	BKH098	DG&CP	GEP22	0	Power Wizard 1.1	N/A	3000	0	PD 2_Koche Baba qanbar	Complete
710	Balkh	BKH099	DG&CP	GEP22	0	Power Wizard 1.1	N/A	3000	0	PD 8_Karte bokhdi, koche Amparatori baran.	Complete
711	Balkh	BKH109	DG&CP	GEP22	0	DCP-10	N/A	3000	0	NAHRI SHAHI_Takhta Pul village	Complete
712	Balkh	BKH101	DG&CP	GEP22	ACB	Power Wizard 4.1	DCP-10	3000	0	PD 1_Chahr Rahi Noor, Asas fuel tank	Complete
713	Balkh	BKH103	DG&CP	GEP22	0	DCP-10	N/A	3000	0	PD 1_Sultan raziya School Kucha Kelkin	Complete
714	Balkh	BKH104	DG&CP	GEP09	GEP-9KV A	Power Wizard 1.0	Power Wizard 1.0	3000	0	PD 8_Karta Bakhtar, Beside Omid Afghan turk school.	Complete
715	Balkh	BKH105	DG&CP	GEP22	0	Power Wizard 4.1	N/A	5000	0	PD 4_Kalla Darak, close to rasole barat mosque.	Complete
716	Balkh	BKH106	DG&CP	GEP22	0	DCP-10	N/A	3000	0	PD 7_Kart-e-Amani, 14 street.	Complete
717	Balkh	BKH107	DG&CP	GEP22	0	Power Wizard 4.1	N/A	3000	0	PD 8_Karte naw bahar, Close to Seddiq afghan school.	Complete
718	Balkh	BKH110	DG&CP	GEP22	0	DCP-10	N/A	3000	0	PD 7_Karte nor-e-khoda, 5th block. Close to Jama'at Khana	Complete
719	Balkh	BKH112	DG&CP	RID-20KVA	RID-20KVA	RID	RID	1000	0	BALKH_Qongorat Balkh, Close to zardak shoye	Complete
720	Balkh	BKH113	DG&CP	GEP22	0	DCP-10	N/A	3000	0	PD 2_Kart-e-Etefaq 3th street,	Complete
721	Balkh	BKH114	DG&CP	GEP22	0	DCP-10	N/A	3000	0	PD 5_Faqr Abad, close to chawke sham	Complete
722	Balkh	BKH115	DG&CP	RID-20KVA	0	RID	N/A	3000	0	NAHRI SHAHI_Ali abad square, close to masjide jame	Complete
723	Balkh	BKH121	DG&CP	RID-20KVA	GEP-9KV A+G EP9 KVA	RID	Power Wizard 1.0	3000	0	PD 1_Khalid bin walid project, beside park	Complete
724	Faryab	FRB002	DG&CP	GEP22	0	DCP-10	N/A	3000	0	ANDKHOY_Daich Khana	Complete
725	Faryab	FRB004	DG&DG	GEP22	GEP-22KVA	DCP-10	DCP-10	3000	0	QAISAR_Chawke Qaisar	Complete
726	Faryab	FRB008	DG&HB	GEP22	GEP-22KVA	DCP-10	0	3000	0	PD 9_Qarya-e-sar bolaq	Partial
727	Faryab	FRB009	DG&CP	GEP13	GEP-22KVA	DCP-10	0	5000	0	PASHTOON KOT_Aqh masjid	Complete
728	Faryab	FRB011	DG&CP	GEP22	GEP 9	DCP-10	0	5000	0	SHIRIN TAGAB_Sari chawk Sherin tagab	Complete
729	Faryab	FRB012	DG&CP	GEP22	GEP 9	DCP-10	0	5000	0	DAWLAT ABAD_Sari chawk Dawlat Abad	Complete
730	Faryab	FRB013	DG&SP	GEP22	GEP-22KVA	DCP-10	DCP-10	10000	0	SHIRIN TAGAB_Astana baba mountain	Complete
731	Faryab	FRB014	DG&HB	GEP22	GEP-22KVA	DCP-10	Power Wizard 1.1	5000	0	QAISAR_Narin, Mole Qaisar	Partial
732	Faryab	FRB015	DG&HB	GEP13	GEP-13KVA	Power Wizard 2.0	Power Wizard 2.0	3000	0	QARAM QOL_Dashte Qaramqol	Partial
733	Faryab	FRB016	DG&SP	GEP22	GEP-22KVA	Power Wizard 1.1	Deep Sea Electronics (DSE)	5000	0	PD 2_Maimana, Kata Kam.	Complete

734	Faryab	FRB018	DG&CP	GEP22	GEP-22K VA	DCP-10	DCP-10	3000	0	KHAN CHARBAGH_Bandarr Aqina	Complete
735	Faryab	FRB019	DG&HB	GEP22	GEP9	DCP-10	Power Wizrd 1.0	3000	0	KHWAJA NAMUSA_Khwajana-mosa, Badqaq	Partial
736	Faryab	FRB020	DG&HB	GEP13	GEP13	Power Wizrd 1.0	Power Wizrd 1.0	3000	0	GORZIVAN_Sar Chakan, close to bazar	Partial
737	Faryab	FRB023	DG&CP	GEP13	GEP-13K VA	Power Wizrd 1.0	Power Wizrd 1.0	3000	0	KHWAJA NAMUSA_Jar Qala	Complete
738	Faryab	FRB024	DG&CP	GEP13	0	Power Wizard 2.0	N/A	3000	0	QARAM QOL_Alte Bolak village	Complete
739	Faryab	FRB025	DG&HB	GEP13	GEP-13K VA	Power Wizrd 1.0	Power Wizrd 1.0	3000	0	GORZIVAN_Gavaki village	Complete
740	Faryab	FRB026	DG&CP	GEP09	GEP9KV A	Power Wizrd 1.0	Power Wizrd 1.0	3000	0	GORZIVAN_Dara-i-Shakh	Complete
741	Faryab	FRB027	DG&SC	GEP22	SC	DCP-10	N/A	3000	0	QAISAR_Chechaktoo, close to bazar	Complete
742	Faryab	FRB031	DG&CP	GEP22	GEP-22K VA	Power Wizrd 1.1	0	3000	0	PD 8_Tokali Khana, close to air port.	Complete
743	Faryab	FRB039	DG&HB	GEP13	GEP9	Power Wizrd 1.0	Power Wizrd 1.0	3000	0	GORZIVAN_Isbai, pakhalsoz	Partial
744	Faryab	FRB042	DG&CP	GEP09	GEP9KV A	Power Wizard 1.0	Power Wizard 1.0	3000	0	QORGHAN_Bagh-i-Bustan	Complete
745	Faryab	FRB043	DG&DG	GEP13	GEP9	Power Wizrd 1.0	Power Wizrd 1.0	6000	0	GORZIVAN_Sar darra	Complete
746	Faryab	FRB044	DG&CP	GEP33	GEP-33K VA	Power Wizrd 1.1	Power Wizrd 1.1	5000	0	PD 4_Arab khana	Complete
747	Faryab	FRB048	DG&CP	GEP22	GEP9	DCP-10	DCP-10	3000	0	ANDKHOY_Bala Hesar, Baba khwaja	Complete
748	Faryab	FRB051	DG&CP	GEP22	GEP-22K VA	DCP-10	DCP-10	3000	0	ANDKHOY_Bandar e shiberghan	Complete
749	Faryab	FRB055	DG&CP	GEP22	SC	DCP-10	Power Wizrd 1.1	3000	0	ANDKHOY_Sharwali Andkhoy	Complete
750	Faryab	FRB057	DG&CP	GEP13	GEP-13K VA	Power Wizard 2.0	Power Wizard 2.0	3000	0	ANDKHOY_Kok tepa, andkhoy	Complete
751	Faryab	FRB059	DG&CP	GEP09	GEP9KV A	Power Wizrd 1.0	Power Wizrd 1.0	3000	0	DAWLAT ABAD_Quraish village.	Complete
752	Faryab	FRB061	DG&ACB	GEP22	0	Power Wizrd 1.1	N/A	5000	0	SHIRIN TAGAB_Rahmat Abad, Faiz Abad	Complete
753	Faryab	FRB062	DG&SC	GEP22	GEP9	Power Wizrd 1.1	0	3000	0	QAISAR_Hazara Qala	Complete
754	Faryab	FRB064	DG&SC	GEP22	SC	DCP-10	N/A	3000	0	QAISAR_Boori qala	Complete
755	Faryab	FRB065	DG&CP	GEP22	0	DCP-10	N/A	3000	0	PD 2_Gozar zargar khana	Complete
756	Faryab	FRB066	DG&HB	GEP22	0	DCP-10	N/A	3000	0	QAISAR_Sar asyab	Partial
757	Faryab	FRB067	DG&CP	GEP22	CP	Deep Sea Electronics (DSE)	N/A	5000	0	ANDKHOY_Alhandi Village	Complete
758	Faryab	FRB068	DG&CP	GEP22	0	Deep Sea Electronics (DSE)	N/A	3000	0	PD 6_Karta Dustum, Ghond 35	Complete
759	Faryab	FRB069	DG&DG	GEP22	GEP-22K VA	DCP-10	DCP-10	6000	0	BILCHERAGH_Bilchi ragh, Kohe gird, sari koh.	Complete
760	Faryab	FRB070	DG&CP	GEP22	CP	Power Wizard 1.1	N/A	3000	0	QORGHAN_Namaz gah village	Complete
761	Faryab	FRB071	DG&ACB &CP	GEP22	0	EMCP 4.1	N/A	3000	0	QORGHAN_Sadat Village, inside mosque	Complete
762	Faryab	FRB075	DG&CP	GEP22	GEP-22K VA	Deep Sea Electronics (DSE)	0	3000	0	PD 3_Darwaze Herat	Complete
763	Faryab	FRB076	DG&HB	GEP22	GEP9	DCP-10	Power Wizrd 1.0	5000	0	SHIRIN TAGAB_Gorzad village, Ala Tayagh	Partial
764	Faryab	FRB077	DG&HB	GEP22	GEP-22K VA	Power Wizrd 1.1	Power Wizrd 1.1	3000	0	DAWLAT ABAD_Takht-e-Ishan	Partial
765	Faryab	FRB078	DG&SP	GEP22	GEP9	DCP-10	Power Wizrd 1.0	3000	0	QAISAR_Sofi Qala	Complete
766	Faryab	FRB081	DG&HB	GEP22	GEP9	Power Wizrd 1.1	Power Wizrd 1.0	5000	0	QAISAR_Yangi village	Partial

767	Faryab	FRB082	DG&CP	GEP22	GEP22	DCP-10	DCP-10	3000	0	SHIRIN TAGAB_Kohe sayad village	Complete
768	Saripul	JZN001	DG&HB	GEP22	GEP-22KVA	DCP-10	Deep Sea Electronics (DSE)	6000	0	SAYED ABAD_Takhta Arab village	Partial
769	Jawzjan	JZN002	DG&HB	GEP22	GEP-13KVA	DCP-10	0	3000	0	MORDIYAN_Murdi an, close to district building	Partial
770	Jawzjan	JZN004	DG&SP	GEP09	GEP9KV A	Power Wizard 1.0	Power Wizard 1.0	6000	0	QOSH TEPA_Jar Qodak	Complete
771	Jawzjan	JZN006	DG&HB	GEP-13KVA	GEP09	Power Wizard 2.0	Power Wizard 1.0	5000	0	DARZAB_Kotal Darzab	Partial
772	Jawzjan	JZN007	DG&CP	GEP22	0	DCP-10	N/A	3000	0	PD 1_Kook Gonbad village	Complete
773	Jawzjan	JZN008	DG&CP	GEP09	GEP9KV A	Power Wizard 1.0	Power Wizard 1.0	3000	0	PD 2_Baba Ali village, close to Baba Ali school.	Complete
774	Jawzjan	JZN013	DG&SC	GEP22	0	DCP-10	N/A	3000	0	MORDIYAN_Qurba gha village	Complete
775	Jawzjan	JZN014	DG&HB	GEP22	GEP9KV A	DCP-10	Power Wizard 1.0	3000	0	AQCHA_Bala Hesar, Qom Aregh	Partial
776	Jawzjan	JZN015	DG&HB	GEP22	0	DCP-10	DCP-10	5000	0	FAIZ ABAD_Kokal Dash	Partial
777	Jawzjan	JZN017	DG&CP	GEP13	GEP-13KVA	Power Wizard 2.0	Power Wizard 2.0	3000	0	PD 4_Koche Malbazar	Complete
778	Jawzjan	JZN018	DG&CP	GEP13	GEP-13KVA	Power Wizard 1.1	Power Wizard 2.0	3000	0	PD 1_Jen Malla, Bandare Aqcha	Complete
779	Jawzjan	JZN021	DG&CP	GEP22	GEP9KV A	EMCP 4.1	Power Wizard 1.0	5000	0	KHWAJA DO KO_Tepa Khwaja doko	Complete
780	Jawzjan	JZN024	DG&CP	GEP22	GEP9	DCP-10	Power Wizard 1.0	3000	0	PD 1_Arab khana, 2nd mosque	Complete
781	Jawzjan	JZN025	DG&CP	GEP22	0	DCP-10	N/A	3000	0	PD 3_Jagh sai village.	Complete
782	Jawzjan	JZN026	DG&CP	GEP22	GEP-22KVA	DCP-10	0	3000	0	PD 1_Alti khwaja	Complete
783	Jawzjan	JZN029	DG&SP	GEP22	GEP-22KVA	Power Wizard 1.1	Power Wizard 1.1	5000	0	AQCHA_Bandari Mazar, Sarake 40 metra	Complete
784	Jawzjan	JZN030	DG&CP	GEP22	GEP-22KVA	Power Wizard 1.1	0	5000	0	AQCHA_Raste Kafsh froshi	Complete
785	Jawzjan	JZN031	DG&HB	GEP22	GEP-22KVA	DCP-10	0	5000	0	PD 1_Jowzjan air port	Partial
786	Jawzjan	JZN032	DG&SP	GEP22	GEP-22KVA	Power Wizard 1.1	Power Wizard 1.1	5000	0	MENGAJIK_Mingi Gak	Complete
787	Jawzjan	JZN033	DG&CP	GEP22	GEP13	Power Wizard 1.1	Power Wizard 2.0	5000	0	AQCHA_Koche Zargari, lyse zokore Aqcha.	Complete
788	Jawzjan	JZN034	DG&SP	GEP22	ACB	Power Wizard 1.1	N/A	3000	0	AQCHA_Qalaichabad	Complete
789	Jawzjan	JZN035	DG&SP	GEP09	GEP9KV A	Power Wizard 1.0	Power Wizard 1.0	3000	0	FAIZ ABAD_Nasratabad	Complete
790	Jawzjan	JZN041	DG&SC	GEP22	SC	Power Wizard 1.1	N/A	5000	0	AQCHA_Opposite Masjid Wali	Complete
791	Jawzjan	JZN042	DG&CP	GEP13	GEP-13KVA	Power Wizard 2.0	Power Wizard 2.0	3000	0	PD 2_Bandare Darzab.	Complete
792	Jawzjan	JZN043	DG&CP	GEP22	0	DCP-10	N/A	3000	0	PD 4_Beside footbal Studium	Complete
793	Jawzjan	JZN045	DG&HB	GEP13	GEP-13KVA	Power Wizard 2.0	Power Wizard 2.0	3000	0	AQCHA_Komak Omar village	Partial
794	Jawzjan	JZN046	DG&CP	GEP-66KVA	KM6 6+K M66	Power Wizard 1.1	Power Wizard SBMO	5000	0	PD 3_Rastai Bazazi, Fahima sadat house.	Complete
795	Jawzjan	JZN048	DG&CP	GEP22	GEP-22KVA	DCP-10	Power Wizard 2.0	3000	0	PD 2_Behind shiberghan university	Complete
796	Jawzjan	JZN049	DG&HB	GEP22	GEP-22KVA	Power Wizard 1.1	DCP-10	5000	0	KHWAJA DO KO_Dashte Areeba	Partial
797	Jawzjan	JZN050	DG&CP	GEP22	CP	DCP-10	N/A	3000	0	PD 3_Bandare Sari pul, Khair khana	Complete
798	Jawzjan	JZN052	DG&SC&CP	GEP22	0	EMCP 4.1	N/A	6000	0	KHWAJA DO KO_Chub Bash khord village	Complete
799	Jawzjan	JZN054	DG&CP	GEP22	0	Deep Sea Electronics (DSE)	N/A	3000	0	PD 1_Afghan tape village	Partial

800	Jawzjan	JZN055	DG&HB	GEP22	GEP9	DCP-10	Power Wizard 1.0	5000	0	DARZAB_donge awlad village	Partial
801	Jawzjan	JZN056	DG&HB	GEP22	GEP13	Power Wizard 1.1	Power Wizard 2.0	3000	0	AQCHA_3 Rahi Aqcha	Partial
802	Jawzjan	JZN057	DG&CP	GEP22	GEP-22K VA	DCP-10	DCP-10	3000	0	PD 2_Eid mahalla	Complete
803	Jawzjan	JZN059	DG&CP	GEP9	0	Power Wizard 2.0	Power Wizard 1.0	3000	0	PD 2_Mirwais mina	Complete
804	Jawzjan	RPT_MZR001	DG&SP	GEP13	0	Power Wizard 2.0	0	3000	0	Qarqin Area	Complete
805	Balkh	BKH134	DG&SP	GEP22	GEP-22K VA	DCP-10	DCP-10	6000	0	MARMUL_Wolosw ali Marmol, sari koh	Complete
806	Balkh	RPT_MZR010	DG&SP	GEP13	0	Power Wizard 2.0	N/A	3000	0	Shour Teppa District	Complete
807	Samangan	BKH132	DG&SP	GEP22	GEP-22K VA	DCP-10	DCP-10	6000	0	CHAR KENT_Charkent, Sari Ailq	Complete
808	Balkh	BKH142	DG&SP	GEP13	GEP-13K VA	Power Wizard 2.0	Power Wizard 2.0	3000	0	Khulm_Abdan-e Shebaghli	Complete
809	Jawzjan	JZN061	DG&CP	GEP22	GEP-22K VA	Power Wizard 1.0	Power Wizard 1.0	3000	0	PD 1_Tapa Ayna	Complete
810	Samangan	RPT_SMG003	DG&HB	GEP13	13Kv a	Power Wizard 1.0	Power Wizard 1.0	8000	0	Darai Souf Qaria Halam Lai	Complete
811	Samangan	SMG027	DG&DG	GEP22	22Kv a	Power Wizard 1.1	Power Wizard 1.1	9000	0	KHURAM WA SARBAGH_Doab Ruy	Complete
812	Samangan	SMG026	DG&HB	GEP22	22Kv a	Power Wizard 1.1	Power Wizard 1.1	5000	0	HAZRATI SULTAN_Khawaja Baghlanak	Partial
813	Samangan	RPT_SMG011	DG&SP	GEP13	GEP-13K VA	Power Wizard 2.0	Power Wizard 2.0	5000	0	Tangi Tajqorghan	Complete
814	Saripul	SPL024	DG&SP	GEP09	GEP 9KV A	Power Wizard 1.0	Power Wizard 1.0	6000	0	KOHISTANAT_Tela tepa	Complete
815	Badghis	BDS017	DG&HB	GEP22	GEP22	Power Wizard 1.0	DCP10	3000	0	BALA MORGHAB_Darrah -i-Bum	Partial
816	Samangan	SMG004	DG&CP	GEP22	0	DCP-10	0	5000	0	PD 2_karti_e_Solh	Complete
817	Samangan	SMG006	DG&SP	GEP22	22K VA	DCP-10	DCP-10	8000	0	AYBAK_Robatak	Complete
818	Samangan	SMG013	DG&CP	GEP22	22K VA	DCP-10	Power Wizard 1.1	10000	0	PD 1_Tepa Mir kolal	Complete
819	Samangan	SMG014	DG&ACB	GEP22	0	Power Wizard 1.1	0	5000	0	AYBAK_Chadar Tapa	Partial
820	Samangan	SMG017	DG&CP	GEP22	SC	DCP-10	0	3000	0	PD 1_kocha Amniat, Samangan City	Complete
821	Saripul	SPL001	DG&CP	GEP22	GEP-22K VA	DCP-10	0	3000	0	SARI PUL_Bandare sancharak, Bala Hisar	Complete
822	Saripul	SPL003	DG&CP	GEP22	GEP22	Power Wizard 1.1	Power Wizard 1.0	3000	0	PD 1_Share Now, close to Azizi bank	Complete
823	Saripul	SPL005	DG&HB	GEP22	GEP-22K VA	DCP-10	DCP-10	10000	0	SARI PUL_Qalah sukhta, Adrin village	Partial
824	Saripul	SPL006	DG&HB	GEP22	GEP-22K VA	Power Wizard 1.1	EMCP 4.1	5000	0	SANCHARAK_Aman tepa	Partial
825	Saripul	SPL007	DG&SP	GEP22	GEP9	DCP-10	Power Wizard 1.0	10000	0	SOZMA QALA_Sozma Qala	Complete
826	Saripul	SPL008	DG&SP	GEP22	GEP-13K VA	Deep Sea Electronics (DSE)	Power Wizard 2.0	3000	0	SOZMA QALA_Sultan khwaja sorkh village, Do Aaba.	Complete
827	Saripul	SPL009	DG&HB	GEP22	GEP9	DCP-10	Power Wizard 1.0	3000	0	KOHISTANAT_Bedis tan	Partial
828	Saripul	SPL011	DG&SP	GEP22	0	DCP-10	Power Wizard 1.0	3000	0	SOZMA QALA_Gorkab ulia village, close to Super Qeshlaq	Complete
829	Saripul	SPL013	DG&SP	GEP22	GEP 9KV A	DCP-10	Power Wizard 1.0	3000	0	SANCHARAK_Qaria Alla Ghan, close to Aq Gonbad	Complete
830	Saripul	SPL014	DG&HB	GEP22	GEP9	DCP-10	Power Wizard 1.0	6000	0	KOHISTANAT_Qaria Jarghan	Partial

831	Saripul	SPL018	DG&HB	GEP22	GEP9	DCP-10	Power Wizard 1.0	3000	0	SANCHARAK_Tebir village	Partial
832	Saripul	SPL020	DG&CP	GEP22	CP	DCP-10	N/A	3000	0	PD 2_Shahre now, close to Qomandani	Complete
833	Saripul	SPL023	DG&SP	GEP09	GEP 9KV A	Power Wizard 1.0	Power Wizard 1.0	3000	0	SARI PUL_Balghali village	Complete
834	Saripul	SPL022	DG&ACB	GEP22	0	Deep Sea Electronics (DSE)	N/A	2000	0	PD 5_charbagh village	Complete
835	Baghlan	BGL003	DG&DG	GEP22	22Kv a	DCP-10	DCP-10	3000	0	BAGHLAN-E-KOHNNA_Char Shambe Tapa	Complete
836	Baghlan	BGL004	DG&ACB	GEP22	GEP 22	Power Wizard 1.1	Power Wizard 1.1	3000	0	PD 6_Khogyani	Complete
837	Baghlan	BGL007	DG&SC	GEP22	SC	DCP-10	DCP-10	3000	0	BURKA_Folol	Partial
838	Baghlan	BGL009	DG&DG	GEP22	GEP 22	DCP-10	DCP-10	5000	0	DUSHI_Aqabe waloswali Doshi	Complete
839	Baghlan	BGL027	DG&ACB	GEP22	0	DCP-10	0	5000	0	BAGHLANI JADID_Aqamat gah	Partial
840	Baghlan	BGL028	DG&SP	GEP22	0	DCP-10	0	10000	5000	DUSHI_Baber Qool	Complete
841	Baghlan	BGL030	DG&SC	GEP22	SC	DCP-10	0	3000	0	PULI KHUMRI_Sorkh Kotal	Partial
842	Baghlan	BGL037	DG&ACB	GEP22	0	DCP-10	0	3000	0	NAHRIN_Bazar Nahirin	Complete
843	Baghlan	BGL039	DG&ACB	GEP22	0	Lovato	0	3000	0	PD 5_Pul-i-Darqat	Complete
844	Baghlan	BGL041	DG&SC	GEP22	SC	Power Wizard 1.0	0	3000	0	DUSHI_Char shamba bazar	Partial
845	Baghlan	BGL043	DG&SC	GEP22	SC	Lovato	0	3000	0	BAGHLANI JADID_Zyarat Najo	Partial
846	Baghlan	BGL045	DG&ACB	GEP22	0	Power Wizard 1.1	0	5000	0	NAHRIN_Sheikh jalal	Partial
847	Baghlan	BGL048	DG&SP	GEP22	22K VA	DCP-10	DCP-10	5000	0	PD 6_Pol_Ashqan	Complete
848	Baghlan	BGL050	DG&DG	GEP22	0	DCP-10	Power Wizard 1.1	8000	3000	PD 2_Sarak 9 selo	Complete
849	Baghlan	BGL051	DG&SP	GEP22	0	Lovato	0	10000	5000	DUSHI_Murcha kotal	Complete
850	Baghlan	BGL052	DG&CP	GEP22	22Kv a	Power Wizard 1.1	Power Wizard 1.1	3000	0	PD 3_Qumandani Amnia	Complete
851	Baghlan	BGL053	DG&DG	GEP22	22Kv a	DCP-10	DCP-10	5000	0	PD 4_2 saraka	Complete
852	Baghlan	BGL057	DG&DG	GEP22	22Kv a	Lovato	Power Wizard 1.1	3000	0	PULI KHUMRI_Godami Sangi	Complete
853	Baghlan	BGL061	DG&DG	GEP22	13K VA	DCP-10	Power Wizard 1.0	3000	0	BAGHLANI JADID_Kamarband Baghlan-e-jadid, Baghlan province	Complete
854	Baghlan	BGL062	DG&HB	GEP22	GEP 9	Power Wizard 1.0	Power Wizard 1.1	3000	0	BAGHLAN-E-KOHNNA_Jari khoshk, Rafiq village	Partial
855	Kundoz	QDZ001	DG&CP	150kva	0	DSE	DSE	10000	5000	PD 2_Masjid Feroz Kohi	Complete
856	Kundoz	QDZ004	DG&CP	GEP22	0	DCP-10	0	3000	0	PD 7_Darwaza QDZ Dorahi Maidan Hawaiee	Complete
857	Kundoz	QDZ007	DG&HB	GEP22	GEP 9	Power Wizard 1.1	Power Wizard 1.0	3000	0	CHAHAR DARA_Koh Yarganak	Partial
858	Kundoz	QDZ011	DG&CP	GEP22	GEP 13	DCP-10	Power Wizard 2.0	3000	0	PD 2_Spinzar1 Mahkama	Complete
859	Kundoz	QDZ014	DG&CP	GEP22	0	DCP-10	0	6000	3000	PD 1_Qabar Mirza Nasiri	Complete
860	Kundoz	QDZ015	DG&CP	GEP9	GEP 13	Power Wizard 1.0	Power Wizard 1.0	3000	0	PD 3_Kutae_Ghar	Complete
861	Kundoz	QDZ017	DG&CP	GEP22	0	DCP-10	DCP-10	5000	0	PD 1_Pamir Hotel	Complete
862	Kundoz	QDZ018	DG&CP	GEP13	0	Power Wizard 2.0	Power Wizard 2.0	3000	0	PD 2_Kunduz University	Complete
863	Kundoz	QDZ019	DG&CP	GEP13	0	Power Wizard 1.0	Power Wizard 1.0	3000	0	KHAN ABAD_Khoja Pista	Complete
864	Kundoz	QDZ021	DG&HB	GEP22	GEP 13	DCP-10	Power Wizard 2.0	3000	0	DASHT-E-ARCHI_Qaria Haji shaiesta mir	Partial
865	Kundoz	QDZ028	DG&CP	GEP13	13Kv a	Power Wizard 2.0	Power Wizard 2.0	3000	0	KHAN ABAD_Kochee kohbai	Complete

866	Kundoz	QDZ029	DG&SC	GEP22	SC	Power Wizard 1.1	0	5000	0	IMAM SAHIB_Kalbat	Partial
867	Kundoz	QDZ030	DG&SP	GEP22	0	DCP-10	Power Wizard 1.1	3000	0	QALAY-I-ZAL_Bazar Qalay Zal	Complete
868	Kundoz	QDZ031	DG&CP	GEP22	0	DCP-10	DCP-10	5000	0	PD 3_Jadai Azadi Kucha Mir Alam	Complete
869	Kundoz	QDZ043	DG&CP	GEP22	9Kva	DCP-10	Power Wizard 1.0	3000	0	PD 5_Rostaq Abad	Complete
870	Kundoz	QDZ046	DG&HB	GEP22	GEP 13	DCP-10	Power Wizard 1.0	3000	0	GUL TEPA_Gul tepe - Dokanhayee Larkhabi	Partial
871	Kundoz	QDZ047	DG&ACB	GEP22	0	Lovato	0	3000	0	KHAN ABAD_Aqtash	Complete
872	Kundoz	QDZ048	DG&ACB	GEP22	0	DCP-10	0	3000	0	IMAM SAHIB_Qataghan Qarasi	Partial
873	Kundoz	QDZ052	DG&CP	GEP22	400	DCP-10	Power Wizard 1.0	3000	0	ALI ABAD_Bazar Aliabad	Complete
874	Kundoz	QDZ055	DG&CP	GEP22	0	Power Wizard	0	3000	0	IMAM SAHIB_Dorahi Sherkhan Bandar	Complete
875	Kundoz	QDZ056	DG&SP	GEP22	0	DCP-10	Power Wizard 1.0	3000	0	IMAM SAHIB_Dasht_Owdan	Complete
876	Kundoz	QDZ058	DG&SP	GEP13	GEP 13	Power Wizard 2.0	Power Wizard 2.0	3000	0	DASHT-E-ARCHI_Nahri Jadid	Complete
877	Kundoz	QDZ059	DG&CP	GEP22	0	Power Wizard 1.1	Power Wizard 1.1	3000	0	IMAM SAHIB_Pesht Rawza	Complete
878	Kundoz	QDZ060	DG&SC	GEP22	SC	DCP-10	Power Wizard 1.0	3000	0	QALAY-I-ZAL_Akhtepa, Chargul tapa	Partial
879	Kundoz	QDZ061	DG&CP	GEP22	0	Power Wizard 2.0	Power Wizard 2.0	3000	0	KHAN ABAD_Pul-e-Mohibullah Khan	Complete
880	Kundoz	QDZ063	DG&HB	GEP22	22Kva	DCP-10	DCP-10	10000	0	ALI ABAD_Yaka Badam	Partial
881	Kundoz	QDZ064	DG&CP	GEP22	0	DSE	DSE	3000	0	PD 1_Jadai Radio and TV	Complete
882	Kundoz	QDZ070	DG&CP	GEP09	9Kva	Power Wizard 1.0	Power Wizard 1.0	3000	0	ALI ABAD_Shenatepe, KDZ-BGL highway	Complete
883	Kundoz	RPT_QDZ001	DG&ACB	GEP22	22Kva	DCP-10	0	3000	0	Dasht Archi	Complete
884	Badakhshan	BDK004	DG&CP	GEP13	CP	Power Wizard 2.0	0	3000	0	PD 4_Chata Faizabad city	Complete
885	Badakhshan	BDK005	DG&CP	GEP13	13KVA	Power Wizard 2.0	Power Wizard 1.0	3000	0	PD 2_Shahr Kona Mina bazar, Faizabad	Complete
886	Badakhshan	BDK006	DG&DG	GEP13	13Kva	Power Wizard 2.0	Power Wizard 2.0	3000	0	PD 7_Dahni Batash QaramQul	Complete
887	Badakhshan	BDK009	DG&ACB	GEP22	0	Lovato	0	3000	0	BAHARAK_Bazar Baharak	Partial
888	Badakhshan	BDK010	DG&DG	GEP22	0	DCP-10	0	3000	0	JURM_Sir Bazar Jorm	Complete
889	Badakhshan	BDK015	DG&SC	GEP22	0	DCP-10	0	3000	0	DARAVEM_shahr safa, kham Khalifa	Complete
890	Badakhshan	BDK016	DG&ACB	GEP22	0	DCP-10	Power Wizard 2.0	3000	0	KISHIM_Naw abad Shah Toot	Partial
891	Badakhshan	BDK017	DG&CP	GEP22	22KVA	DCP-10	DCP-10	3000	0	PD 5_Shahrie now Bazar	Complete
892	Badakhshan	BDK018	DG&SC	GEP22	SC	Lovato	0	3000	0	KISHIM_Naw abad gandom Qul	Partial
893	Badakhshan	BDK022	DG&HB	GEP13	13Kva	Power Wizard 2.0	Power Wizard 2.0	3000	0	PD 8_Laie aba, Faizabad	Partial
894	Takhar	TKH001	DG&ACB	GEP22	0	Power Wizard 1.1	Power Wizard 1.1	3000	0	CHAH AB_CHAHAB Bazar	Partial
895	Takhar	TKH003	DG&HB	GEP22	22Kva	Power Wizard 2.0	Power Wizard 2.0	3000	0	KHWAJA BAHAWUDIN_Koratam	Partial
896	Takhar	TKH005	DG&SC	GEP22	SC	DCP-10	0	3000	0	DASHT-E-QALA_Woloswali Dashte Qala	Partial
897	Takhar	TKH006	DG&DG	GEP22	22Kva	DCP-10	DCP-10	3000	0	RUSTAQ_Rustaq Bazar Bndar Badakhshan	Complete
898	Takhar	TKH007	DG&HB	GEP22	22Kva	DCP-10	Power Wizard 2.0	3000	0	KHWAJA BAHAWUDIN_Bazar Khwaja Bahawudin	Partial
899	Takhar	TKH009	DG&SP	GEP13	0	Power Wizard 2.0	0	10000	5000	HAZAR SMOUCH_chakao	Complete
900	Takhar	TKH020	DG&HB	GEP22	22Kva	DCP-10	DCP-10	3000	0	DARQAD_Qaria Juhai Shekh	Partial

901	Takhar	TKH021	DG&SP	GEP022	0	Power Wizard 1.1	Power Wizard 1.0	3000	0	PD 4_Qaria Saidha	Complete
902	Takhar	TKH032	DG&CP	GEP22	0	DCP-10	0	3000	0	PD 3_Sarae Sang	Partial
903	Takhar	TKH034	DG&SP	GEP22	0	DCP-10	0	3000	0	PD 2_Qabr Qazi	Complete
904	Takhar	TKH035	DG&CP	GEP22	22kva	DCP-10	DCP-10	3000	0	BAHARAK_Bazar Baharak	Partial
905	Takhar	TKH037	DG&CP	GEP65	GEP 50	KGR-65	Power Wizard 1.1	3000	0	PD 3_Nawabade Boughak, Takhar city	Complete
906	Takhar	TKH039	DG&CP	GEP22	GEP 9	DCP-10	Power Wizard 1.0	3000	0	PD 6_Sare Pole Sherwan, Takhar city	Complete
907	Takhar	TKH043	DG&HB	GEP22	GEP 9	DCP-10	Power Wizard 1.0	3000	0	KHWAJA BAHAWUDIN_Lalah gozer	Partial
908	Takhar	TKH050	DG&DG	GEP22	22kva	DCP-10	Power Wizard 2.0	6000	3000	TALUQAN_Archi Kootal, Lataband	Complete
909	Takhar	TKH044	DG&HB	GEP22	GEP 9	Power Wizard 2.0	Power Wizard 2.0	6000	3000	TAKHAR_Koh-e-Olkar	Partial
910	Qandahar	QDH001	DG&CP&SP	GEP22	NA	DSE	N/A	3000	0	PD 3_DeH Khowja, near to Sedal hospital	Complete
911	Qandahar	QDH006	DG&CP	GEP22	GEP 22	Power Wizard 1.1	Power Wizard 1.1	3000	0	PD 4_Syedane-Kucha, on the top of Madina market	Complete
912	Qandahar	QDH007	DG&CP	GEP22	GEP 22	Power Wizard 1.1	Power Wizard 1.1	3000	0	PD 9_Afghan Radio, infront of Ayno meana	Complete
913	Qandahar	QDH008	DG&CP&SP	GEP22	GEP 22	DCP-10	DCP-10	3000	0	PD 6_Share Now,infront of Al Jaded market	Complete
914	Qandahar	QDH009	DG&CP	275 KVA+275 KVA	250 KVA	DSE&EMCP 4.2	AMF-MK2	8000	0	PD 6_Share Now, infront od Kandahar sadedyam	Complete
915	Qandahar	QDH010	DG&CP&SC	GEP22	SC	Power Wizard 1.1	Power Wizard 1.1	3000	0	PD 3_Herat Bazar, on july market	Complete
916	Qandahar	QDH015	DG&CP&SP	GEP22	0	Power Wizard 1.1	N/A	3000	0	PD 15_Yakh Kariz, infront of H Abdullah market	Complete
917	Qandahar	QDH016	DG&CP	T22	GEP 22	SDMO	DCP-10	3000	0	PD 16_Shorandom	Complete
918	Qandahar	QDH017	DG&SC	GEP22	SC	Power Wizard 1.1	DCP-10	3000	0	PD 17_infront ofKandahar Air Port	Complete
919	Qandahar	QDH020	DG&CP	GEP22	GEP 22	Power Wizard 1.1	Power Wizard 1.1	3000	0	PD 1_Agha Saib, chawnai	Complete
920	Qandahar	QDH025	DG&SP	GEP22	GEP 22	DCP-10	DCP-10	5000	0	ARGHANDAB_Nagahan	Complete
921	Qandahar	QDH029	DG&SC	GEP22	SC	DCP-10	Power Wizard 1.1	3000	0	DAMAN_Akhond sahib daman Kandahar	Complete
922	Qandahar	QDH030	DG&SC	GEP22	SC	DCP-10	Power Wizard 1.0	3000	0	DAMAN_Manja Village Daman Kand.	Complete
923	Qandahar	QDH031	DG&CP&SP	GEP22	GEP 22	RID	RID	3000	0	DAMAN_Nasaji, near to Nasaji company	Complete
924	Qandahar	QDH032	DG&CP&SP	GEP22	GEP 22	Power Wizard 1.1	Power Wizard 1.1	3000	0	PD 16_Industrial Park, Shourandam Kandahar	Complete
925	Qandahar	QDH034	DG&CP&SP	RID-20KVA	RID	RID	RID	1000	0	PD 8_Panjwai dorahy	Complete
926	Qandahar	QDH042	DG&HB	GEP22	GEP 22	DCP-10	Power Wizard 1.1	3000	0	PD 16_Inside Kandahar Airport	Complete
927	Qandahar	QDH045	DG&SP	T22	GEP 09	SDMO	Power Wizard 1.0	5000	0	TAKHTA POOL_Hott Ghar	Complete
928	Qandahar	QDH051	DG&SP&SC	GEP22	SC	DCP-10	Power Wizard 1.1	3000	0	TAKHTA POOL_Takhata pole kandahar	Complete
929	Qandahar	QDH063	DG&SC	RID-20KVA	SC	DSE	DSE	1000	0	PD 9_Loya Walah, Hakem Adda	Complete
930	Qandahar	QDH074	DG&CP	GEP22	GEP 22	DCP-10	DCP-10	5000	0	MAIWAND_Kushke y Nakhod, Maiwand District	Complete
931	Qandahar	QDH081	DG&SP	GEP22	GEP 22	DCP-10	DCP-10	3000	0	SHAWALI KOOT_shawali koot masjid ahlae sadi	Complete
932	Qandahar	QDH089	DG&CP	GEP22	GEP 22	DCP-10	N/A	3000	0	PD 10_Ainu Mena,infort of otak-e-tajarat	Complete



933	Qandahar	QDH090	DG&SP	GEP09	GEP09	Power Wizard 1.1	Power Wizard 1.1	3000	0	TAKHTA POOL_Enzargai Village, Takhta Pull district	Complete
934	Qandahar	QDH091	DG&SC	GEP22	SC	DCP-10	Power Wizard 1.1	5000	0	SPEN BOLDAK_Bozake Spen Boldak Kandahar	Complete
935	Qandahar	QDH094	DG&CP&SP	GEP22	NA	DSE	NA	3000	0	PD 2_Qazi Dana,	Complete
936	Qandahar	QDH097	DG&CP&SP	GEP22	GEP22	DSE	DSE	3000	0	PD 3_Share Now,infront of Madigak	Complete
937	Qandahar	QDH098	DG&SC&CP	GEP22	SC	DSE	Power Wizard 1.1	3000	0	PD 10_Ainu Mena,N sarak	Complete
938	Qandahar	QDH099	SP&DG&CP	GEP22	GEP22	DSE	DCP-10	3000	0	PD 10_Ainu Mena, lowi numri	Complete
939	Zabul	ZBL002	DG&SP	GEP22	GEP022	DCP-10	DCP-10	5000	0	TOGHAN TAPA_Toghan Tapa	Complete
940	Zabul	ZBL003	DG&SC	GEP22	SC	DCP-10	DCP-10	7000	0	SHAHJOY_Shahjoy Bazar	Complete
941	Zabul	ZBL004	DG&SC	GEP22	SC	DCP-10	Power Wizard 1.1	5000	0	PD 2_Near to ANA base	Complete
942	Zabul	ZBL006	DG&DG	KM22	GEP22	SDMO	DCP-10	3000	0	PD 1_kocha najaran	Complete
943	Nimroz	NMZ001	DG&CP	GEP13	NA	Power Wizard 1.1	NA	5000	0	PD 1_on the Market of A Qaum	Complete
944	Nimroz	NMZ002	DG&CP	GEP09	NA	Power Wizard 1.1	NA	5000	0	PD 5_infortm of OPD clinic	Complete
945	Nimroz	NMZ003	DG&CP	GEP13	NA	Power Wizard 1.1	NA	5000	0	PD 2_barki charhi, h hamza	Complete
946	Nimroz	NMZ004	DG&SP&SC	GEP13	SC	Power Wizard 1.1	Power Wizard 1.1	5000	0	KANG_Kang Bazar	Complete
947	Nimroz	NMZ005	DG&SP	GEP22	GEP13	Power Wizard 1.1	Power Wizard 1.1	5000	0	CHAKHNASOR_Cha khnason Bazar	Complete
948	Nimroz	NMZ006	DG&SP&SC	GEP13	SC	Power Wizard 1.1	Power Wizard 1.1	5000	0	KHASHROD_Poshti Hasan	Complete
949	Nimroz	NMZ007	DG&SP	GEP22	GEP22	DCP-10	DSE	5000	0	DELARAM_Delaram Bazra,	Complete
950	Nimroz	NMZ009	DG&SP	GEP22	GEP22	Power Wizard 1.1	Power Wizard 1.1	5000	0	KHASHROD_Khash rod bazra	Complete
951	Nimroz	NMZ010	DG&SP&SC	GEP13	SC	Power Wizard 1.1	Power Wizard 1.1	5000	0	KHASHROD_Monar	Complete
952	Nimroz	NMZ012	DG&SP	GEP22	GEP13	Power Wizard 1.1	DCP-10	3000	0	CHAKHNASOR_kh wajjo	Complete
953	Helmand	HLM001	DG&SC	GEP22	SC	Power Wizard 1.1	Power Wizard 1.1	3000	0	GERESHK_Garishk, near to Hekmat chawk	Complete
954	Helmand	HLM004	DG&CP&SP	GEP09	GEP09	Power Wizard 1.1	Power Wizard 1.0	3000	0	PD 7_Infront HLM air port	Complete
955	Helmand	HLM006	DG&CP&SP	GEP22	GEP22	DCP-10	NA	3000	0	PD 2_Behind of comandani	Complete
956	Helmand	HLM007	DG&CP&SP	GEP09	0	Power Wizard 1.0	NA	5000	0	LASHKAR GAH_Tor tang, HLM Mili TV	Complete
957	Helmand	HLM008	DG&CP&SP	GEP22	GEP22	DCP-10	Power Wizard 1.1	3000	0	PD 1_near to Bos pohantoon	Complete
958	Helmand	HLM009	DG&CP&SP	GEP22	GEP22	Power Wizard 1.1	Power Wizard 1.1	3000	0	PD 7_Sapyan,near to PD 7	Complete
959	Helmand	HLM010	DG&CP&SP	GEP13	GEP09	Power Wizard 1.0	Power Wizard 1.1	5000	0	PD 7_Sali Mohammad chawk	Complete
960	Helmand	HLM012	DG&CP	GEP22	0	Power Wizard 1.1	NA	3000	0	PD 1_near to maref chawk	Complete
961	Helmand	HLM014	DG&SP	GEP22	GEP09	Power Wizard 1.1	Power Wizard 1.1	5000	0	NAHRI SARRAJ_Nahri sarraj Maktab	Complete
962	Helmand	HLM020	DG&SP&SC	GEP22	SC	Power Wizard 1.1	Power Wizard 1.0	3000	0	GARMSIR_Dewala Qali	Complete
963	Helmand	HLM021	DG&SC	T22	SC	Power Wizard 1.1	SDMO	3000	0	NAWAY I BARA_Khalach Bazar	Complete
964	Helmand	HLM040	DG&SP&SC	GEP22	SC	Power Wizard 1.1	Power Wizard 1.1	3000	0	PD 5_Mokhtar, Madarasa	Complete
965	Helmand	HLM046	DG&SC	T22	SC	Power Wizard 1.1	Power Wizard 1.1	3000	0	NAWAY_Tareekh zabar	Complete
966	Helmand	HLM056	DG&SC	GEP22	SC	Power Wizard 1.1	NA	3000	0	MARJA_Koro charahi	Complete

967	Helmand	HLM059	DG&SP&S C	GEP22	GEP 22	Power Wizard 1.1	Power Wizard 1.1	3000	0	NAHRI SARRAJ_Gareshk Tapa	Complete
968	Hirat	HRT002	DG&CP	GEP22	0	Power Wizard 1.1	0	3000	0	PD 12_Tank Mulawi(Zayarati Jami)	Complete
969	Hirat	HRT003	DG&CP	GEP22	0	DCP10	0	3000	0	PD 7_Howz Karbas	Complete
970	Hirat	HRT004	DG&CP	GEP13	GEP 13	Power Wizard 2	0	3000	0	PD 5_Bagh-Melat	Complete
971	Hirat	HRT005	DG&CP	RID- 20KVA	0	RID	0	1000	0	PD 3_Falake 2 Bekr Abad	Complete
972	Hirat	HRT006	DG&CP	GEP22	0	DCP10	0	3000	0	PD 15_Pole-e Khaima Dozan- Jade Ansari	Complete
973	Hirat	HRT007	DG&CP	RID- 20KVA	0	RID	0	1000	0	PD 10_Char-bagh- Feroza	Complete
974	Hirat	HRT010	DG&CP	GEP13	0	Power Wizard 2	0	3000	0	PD 2_Darb-e- Qandhar	Complete
975	Hirat	HRT011	DG&CP	RID- 20KVA	0	RID	0	3000	1000	PD 6_Koche Kababyan	Complete
976	Hirat	HRT013	DG&CP	GEP22	0	DCP10	0	3000	0	PD 14_Shalbafan	Complete
977	Hirat	HRT014	DG&CP	CAT22	0	Power Wizard 2	0	3000	0	ENJIL_Markaz Engil	Complete
978	Hirat	HRT015	DG&CP	GEP22	0	DCP10	0	5000	0	KOHSAN_Gomrok Isam Qala	Complete
979	Hirat	HRT019	DG&CP	GEP22	0	DCP10	0	5000	0	PD 6_Pol rangina Koch Khoja abdullah ansr	Complete
980	Hirat	HRT021	DG&CP	GEP13	0	Power Wizard 2	0	3000	0	PD 7_Moqabel Arg	Complete
981	Hirat	HRT024	DG&CP	GEP13	0	Power Wizard 2	0	3000	0	PD 6_Abul Abad	Complete
982	Hirat	HRT025	DG&SP	GEP22	GEP 22	Power Wizard 1.1	0	5000	0	KAROKH_Majghan dak	Complete
983	Hirat	HRT026	DG&HB	GEP22	GEP 22	DCP10	Power Wizard CAT	5000	0	OBE_Dahan Do Aab	Partial
984	Hirat	HRT027	DG&CP	GEP22	GEP 13	DCP10	0	5000	0	GUZARA_shahrak Sonati Faz 1	Partial
985	Hirat	HRT028	DG&ACB	GEP22	0	DCP10	0	5000	0	GUZARA_Mir Dawood Kariz-e- Menji	Complete
986	Hirat	HRT029	DG&SP	GEP22	GEP 22	DCP10	Power Wizard 1	5000	0	ADRASKAN_Marka z Adreskan	Complete
987	Hirat	HRT031	DG&HB	GEP22	GEP 22	Power Wizard 2	Power Wizard 2	3000	3000	CHESHT-E- SHARIF_Korki	Partial
988	Hirat	HRT032	DG&CP	RID- 20KVA	0	RID	0	1000	0	ENJIL_Hendwan	Complete
989	Hirat	HRT033	DG&CP	GEP22	0	DCP10	0	5000	0	ENJIL_Jalwarcha	Complete
990	Hirat	HRT034	DG&HB	GEP22	GEP 22	DCP10	Power Wizard 1.1	5000	0	ADRASKAN_Band Shabid	Partial
991	Hirat	HRT035	DG&HB	GEP22	GEP 22	DCP10	Power Wizard 2	3000	0	ADRASKAN_Khoja Oria	Partial
992	Hirat	HRT037	DG&CP	GEP22	0	DCP10	0	5000	0	KOHSAN_Markaz Isalm Qala	Complete
993	Hirat	HRT038	DG&CP	GEP22	0	DCP10	0	3000	0	KOHSAN_Tir Pol	Complete
994	Hirat	HRT039	DG&CP	GEP22	0	Power Wizard 1.1	0	5000	0	GHORYAN_Do poshta Lewa Kohna	Complete
995	Hirat	HRT040	DG&CP	GEP22	KM2 2kva	RID	0	5000	1000	ZENDA JAN_Memezak	Complete
996	Hirat	HRT041	DG&CP	GEP22	KM2 2kva	DCP10	SDMO	5000	0	GHORYAN_Markaz Ghouryan	Complete
997	Hirat	HRT042	DG&ACB	GEP22	0	DCP10	0	5000	0	ENJIL_Dasht-e- House	Complete
998	Hirat	HRT044	DG&CP	GEP13	0	Power Wizard 2	Power Wizard 2	3000	3000	ROBAT SANGI_Chehel Dokhtar	Complete
999	Hirat	HRT045	DG&CP	GEP13	GEP 13	Power Wizard 2	0	3000	0	ENJIL_Koshk-e- Eshaq	Complete
1000	Hirat	HRT046	DG&CP	GEP13	GEP 013	Power Wizard 2	0	3000	0	ENJIL_Kamizan	Complete
1001	Hirat	HRT049	DG&CP	GEP22	0	Power Wizard 1.1	0	5000	0	GUZARA_Buka	Complete
1002	Hirat	HRT052	DG&CP	GEP22	0	DCP10	0	3000	0	PD 8_Qul ordo Sabiqa Hamam Shirzad	Complete
1003	Hirat	HRT057	DG&ACB	GEP22	0	DCP10	0	3000	0	OBE_Obe Sabira	Complete
1004	Hirat	HRT059	DG&HB	GEP22	GEP 22	DCP10	DCP10	5000	0	PASHTON ZARGHON_Paranja n	Partial
1005	Hirat	HRT060	DG&HB	GEP22	GEP 22	DCP10	Power Wizard 1.1	5000	0	OBE_Markaz Obe	Partial

10 06	Hirat	HRT062	DG&CP	GEP13	0	Power Wizard 2	0	3000	0	GUZARA_Guzara Qaria Chaka	Complete
10 07	Hirat	HRT064	DG&CP	RID-20KVA	0	RID	0	1000	0	PD 5_Baghche Mehtar	Complete
10 08	Hirat	HRT065	DG&ACB	GEP22	0	DCP10	0	10000	0	CHESHT-E-SHARIF_Chesht-e-Sharif Esfarz	Complete
10 09	Hirat	HRT066	DG&CP	GEP09	0	Power Wizard 1.0	0	3000	0	PD 11_Qabul Daraz	Complete
10 10	Hirat	HRT067	DG&CP	GEP09	0	Power Wizard 1.0	0	3000	0	ENJIL_Mahal-e-Dasht	Complete
10 11	Hirat	HRT070	DG&CP	RID-20KVA	0	RID	0	1000	0	PD 3_Darb Khosh Market Kaka Zada	Complete
10 12	Hirat	HRT072	DG&CP	GEP22	0	DCP10	0	3000	0	PD 8_Gazar Gah	Complete
10 13	Hirat	HRT073	DG&CP	GEP22	0	power wizard 1.0	0	3000	0	PD 14_Chahar so	Complete
10 14	Hirat	HRT074	DG&SP	GEP13	GEP 13	Power Wizard 2	Power Wizard 2	3000	0	SHINDAND_Awkal	Complete
10 15	Hirat	HRT077	DG&CP	GEP09	0	Power Wizard 1.0	Power Wizard 1.0	3000	0	GUZARA_Khoja Aalim	Complete
10 16	Hirat	HRT078	DG&CP	GEP22	0	Power Wizard 1.1	0	3000	0	PD 9_Abul walid	Complete
10 17	Hirat	HRT080	DG&CP	GEP09	0	Power Wizard 1.0	0	3000	0	GUZARA_Kala Gerd	Complete
10 18	Hirat	HRT081	DG&CP	RID-20KVA	0	RID	0	1000	0	PD 15_Ferga	Complete
10 19	Hirat	HRT082	DG&SP	GEP22	GEP 22	DCP10	DCP10	5000	0	GUZARA_Moqabel Qul ordo Alfaroq	Complete
10 20	Hirat	HRT084	DG&CP	GEP13	GEP 13	Power Wizard 2	Power Wizard 2	3000	0	ROBAT SANGI_Dezwaria	Complete
10 21	Hirat	HRT085	DG&CP	GEP22	GEP 22	Power Wizard 1.1	0	5000	0	ROBAT SANGI_Markaz Robat Sangi	Complete
10 22	Hirat	HRT087	DG&CP	RID-20KVA	0	RID	0	1000	0	GHORYAN_Barnabad	Complete
10 23	Hirat	HRT088	DG&HB	GEP22	GEP 13	DCP10	Power Wizard 2	3000	3000	ROBAT SANGI_Band Boghor Char	Partial
10 24	Hirat	HRT089	DG&CP	GEP22	0	DCP10	0	3000	0	ROBAT SANGI_Torghondi	Complete
10 25	Hirat	HRT090	DG&CP	GEP22	0	RID	0	1000	1000	ENJIL_Imam Shash noor	Complete
10 26	Hirat	HRT094	DG&SP	GEP09	GEP 13	Power Wizard 1.0	Power Wizard 2	3000	0	ADRASKAN_Shindand Shirzad	Complete
10 27	Hirat	HRT097	DG&CP	GEP22	GEP 22	Power Wizard 1.1	0	3000	0	ROBAT SANGI_Khalawak Ha	Complete
10 28	Hirat	HRT100	DG&CP	GEP22	0	DCP10	0	3000	0	PD 5_Karimyar Market	Complete
10 29	Hirat	HRT107	DG&HB	GEP22	GEP 22	DCP10	Power Wizard 1.1	3000	3000	KOSHK KOHNA_Band Shalbaf Koshk Kohna	Partial
10 30	Hirat	HRT108	DG&CP	GEP22	0	DCP10	0	3000	0	PD 12_Shahrak Reza	Complete
10 31	Hirat	HRT110	DG&CP	GEP13	GEP 13kva	Power Wizard 2	Power Wizard 2	3000	0	GUZARA_Kort	Complete
10 32	Hirat	HRT113	DG&DG	GEP22	GEP 22	DCP10	DCP10	3000	3000	GULRAN_Khoja Talkhtan	Complete
10 33	Hirat	HRT114	DG&HB	GEP22	0	Power Wizard 1.1	DCP10	3000	0	PASHTON ZARGHON_Gulmir	Partial
10 34	Hirat	HRT116	DG&CP&S P	GEP22	GEP 22	DCP10	0	3000	0	ENJIL_Ghaibatan	Complete
10 35	Hirat	HRT119	DG&CP	GEP22	0	Power Wizard 1.1	0	3000	0	PD 1_Dowlat Khana	Complete
10 36	Hirat	HRT121	DG&CP	GEP22	0	DCP10	0	3000	0	PD 5_Imam Moslim 48	Complete
10 37	Hirat	HRT122	DG&CP	GEP22	0	DCP10	0	3000	0	PD 15_Sofi Abad	Complete
10 38	Hirat	HRT124	DG&CP	GEP22	0	Power Wizard 1.1	0	3000	0	PD 11_Akhir Now Abad	Complete
10 39	Hirat	HRT125	DG&ACB	GEP22	0	DCP10	0	3000	0	PD 14_Qalai-e-Shohada	Complete
10 40	Hirat	HRT126	DG&SP	GEP022	GEP 9	DCP10	0	3000	0	OBE_Obe_Shast Naiak	Complete
10 41	Hirat	HRT127	DG&CP	GEP13	0	Power Wizard 2	Power Wizard 2	3000	0	PD 7_Baraman	Complete
10 42	Hirat	HRT135	DG&SP	GEP13	GEP 13	Power Wizard 2	0	3000	0	ENJIL_Jaghartan	Complete
10 43	Hirat	HRT136	DG&ACB	GEP22	ACB	DCP10	0	3000	0	PD 13_Moter Froshi Quwa Char	Complete
10 44	Farah	FRH001	DG&SP	GEP13	GEP 13	Power Wizard 2	Power Wizard 2	5000	0	PD 3_Jade-e-Qumandani	Complete

1045	Hirat	HRT164	DG&CP	RID20kva	GEP22	RID	DCP10	10000	0	ENJIL_Tape-e-bagh melat	Complete
1046	Hirat	HRT137	DG&CP	GEP450	GS300	MICS SDMO GS300/DSE250KV A	Power Wizard 1.0	5000	5000	ENJIL_Herat MSC(Maidan bar Asia Kolokhi)	Complete
1047	Farah	FRH002	DG&SP	GEP09	GEP09	Power Wizard 1.0	Power Wizard 1.0	5000	0	PD 2_Char Bagh	Complete
1048	Farah	FRH003	DG&HB	CAT22	CAT22	DSE DEEP sea electronics	DSE DEEP sea electronics	3000	0	PD 1_Nahia 1	Partial
1049	Farah	FRH005	DG&SP	GEP22	GEP9	Power Wizard 1.1	Power Wizard 1.0	3000	0	BALA BULOK_Ganj Abad Bala Bulok	Complete
1050	Farah	FRH008	DG&SP	CAT22	CAT22	DSE DEEP sea electronics	DSE DEEP sea electronics	3000	0	POSHT ROAD_Soor	Complete
1051	Farah	FRH010	DG&SP	GEP09	GEP09	Power Wizard 1.0	Power Wizard 1.0	3000	0	PD 3_Bagh pool	Complete
1052	Farah	FRH011	DG&DG	GEP22	GEP9	Power Wizard 1.1	Power Wizard 1.0	3000	0	PD 2_Regi	Partial
1053	Farah	FRH012	DG&SP	GEP09	GEP09	Power Wizard 1.0	Power Wizard 1.0	3000	0	PD 7_Lewa ordo	Complete
1054	Farah	FRH016	DG&SP	GEP22	GEP22	Power Wizard 1.1	Power Wizard 1.0	3000	0	PD 6_Jonob maidan Hawaye	Complete
1055	Ghor	GHR001	DG&SP	GEP22	GEP22	Power Wizard 1.1	Power Wizard 1.1	3000	3000	PD 2_Tape-e-Telde we	Complete
1056	Ghor	GHR004	DG&HB	GEP22	GEP22	Power Wizard 1.1	Power Wizard 1.1	3000	3000	Shahrak_Markaz Shahrak	Partial
1057	Ghor	GHR005	DG&HB	GEP22	GEP9	Power Wizard 1.1	Power Wizard 1.1	3000	0	Shahrak_Kamenj	Partial
1058	Ghor	GHR009	DG&DG	GEP22	GEP22	Power Wizard1.1	Power Wizard1.1	3000	3000	Dawlatyar_Dowlatyar Kohe-e-khoja	Complete
1059	Ghor	GHR008	DG&HB	GEP22	GEP22	Power Wizard 1.1	Power Wizard 1.1	3000	3000	Lal Wa Sarjangal_Markaz Lal	Partial
1060	Ghor	GHR014	DG&DG	GEP22	GEP22	DCP-10	DCP-10	3000	3000	Lal Wa Sarjangal_Qash kerman	Complete
1061	Ghor	GHR012	DG&HB	GEP22	GEP22	Power Wizard 1.1	Power Wizard 1.1	3000	3000	Duleena_Dolaina Bidak Jalal	Partial
1062	Ghor	GHR018	DG&SP	GEP22	GEP22	DCP-10	Power Wizard 1.1	5000	5000	Chighcheran_Band Bayan	Complete
1063	Ghor	GHR019	DG&HB	GEP22	GEP13	Power Wizard 1.1	Power Wizard 1.1	3000	3000	Duleena_House Bangi	Partial
1064	Ghor	GHR020	DG&HB	GEP22	GEP09	Power Wizard 1.1	Power Wizard 1.1	3000	3000	Chighcheran_Sokhta Sofla	Partial
1065	Badghis	BDS001	DG&CP	GEP22	0	Power Wizard 1.0	0	3000	0	PD 1_Jade Qumandani	Complete
1066	Badghis	BDS002	DG&CP	GEP22	0	DCP10	DCP10	5000	0	PD 1_Chakaran	Complete
1067	Badghis	BDS006	DG&SP	GEP09	GEP09	Power Wizard 1.0	Power Wizard 1.0	3000	0	QADES_Qades Khordak	Complete
1068	Badghis	BDS007	DG&HB	GEP22	GEP9	Power Wizard 1.1	DCP10	3000	0	MOQOR_Moqor	Partial
1069	Badghis	BDS010	DG&HB	GEP22	GEP22	DCP10	Power Wizard 1.1	3000	0	AAB KAMARI_Shotor Gardan	Partial
1070	Badghis	BDS018	DG&HB	GEP22	GEP22	DCP10	DCP10	3000	3000	BALA MORGHAB_Bazartu	Partial
1071	Faryab	FRB084	DG&CP	GEP09	0	Power Wizard 1.0	Power Wizard 1.0	3000	0	ANDKHOY_Tawachi	Complete
1072	Wardak	WDK021	DG&SC	GEP22	SC	Power Wizard 1.0	0	6000	0	Nerkh_Jawokoz	Complete
1073	Balkh	BDS004	DG&CP&HB	GEP22	GEP9	DCP10	Power Wizard 1.0	3000	0	BALA MORGHAB_Markaz bala morghab	Partial
1074	Balkh	SPL028	DG&HB	GEP22	GEP22	DCP-10	Power Wizard 1.1	3000	0	GOSFANDI_Tapae Baba Qolsai	Partial
1075	Helmand	HLM027	DG&SC	GEP22	SC	DCP-10	Power Wizard 1.1	3000	0	SANGIN_Pati khan paich	Complete

1076	Balkh	BKH087	DG&HB	GEP22	0	DCP-10	N/A	1000	0	PD 11_Shahrak amiri, MZR-Dubai building	Partial
1077	Helmand	HLM005	DG&SP&S C	GEP22	SC	DCP-10	DCP-10	3000	0	GARMSIR_Dowayr air port	Complete
1078	Helmand	HLM062	DG&SP	GEP09	GEP09	Power Wizard 1.1	Power Wizard 1.1	3000	0	MUSA QALA_Wach Karaiz	Complete
1079	Helmand	HLM063	DG&SP&S C	GEP22	SC	Power Wizard 1.1	Power Wizard 1.1	3000	0	KAJAKI_Azan, near to Deh baba heigh way	Complete
1080	Helmand	HLM064	DG&CP&S P	GEP09	0	Power Wizard 1.0	Power Wizard 1.0	3000	0	KAJAKI_gandamree z Bazar	Complete
1081	Helmand	HLM066	DG&SP&S C	GEP22	SC	DCP-10	Power Wizard 1.1	3000	0	NAWZAD_Destirct Bazar	Complete
1082	Helmand	HLM070	DG&CP&S P	GEP22	NA	Power Wizard 2.0	NA	3000	0	MUSA QALA_Musa Qala Bazar	Complete
1083	Helmand	HLM071	DG&CP&S P	GEP09	0	Power Wizard 1.1	NA	3000	0	DE BABA BAZAR_Deh baba bazar	Complete
1084	Helmand	HLM080	DG&SP&S C	GEP13	SC	Power Wizard 1.1	Power Wizard 1.0	3000	0	MUSA QALA_Khataki	Complete
1085	Helmand	HLM079	DG&SC	GEP13	SC	Power Wizard 1.1	NA	3000	0	NAD ALI_Lowi manda	Complete
1086	Helmand	HLM081	DG&SP&S C	GEP22	SC	Power Wizard 1.1	DCP-10	3000	0	MUSA QALA_Landi Nawa	Complete
1087	Helmand	HLM076	DG&SC	GEP22	SC	Power Wizard 1.1	Power Wizard 1.0	3000	0	GARMSIR_Sapar Bazar	Complete
1088	Helmand	HLM078	DG&SC	GEP22	SC	Power Wizard 2.0	Power Wizard 1.1	3000	0	GARMSIR_Lakari Bazar	Complete
1089	Paktika	PKK026	DG&SP	GEP22	0	DCP-10	0	3000	0	BARMAL_near to Barmal district	Complete
1090	Paktika	PKK034	DG&SP	GEP22	0	DCP-10	0	3000	0	Sarobi_Sapidar Narai Tapa	Complete
1091	Helmand	HLM072	DG&SP	GEP13	GEP22	Power Wizard 1.0	Power Wizard 2.0	3000	0	GERESHK_Haidar Abad	Complete
1092	Badghis	BDS013	DG&HB	GEP22	GEP9	Power Wizard 1.0	DCP10	3000	0	MOQOR_Sang Atesh Mamaka	Partial
1093	kabul	KBL447	DG&SP	GEP09	GEP09	Power Wizard 1.0	Power Wizard 1.0	2000	0	PD 9_Zohak Camp hawa shnasi road	Complete
1094	Orazgan	OZN006	DG&SP	GEP09	GEP09	Power Wizard 1.0	Power Wizard 1.1	3000	0	DEHRAWOT_Tor Nasir	Complete
1095	Orazgan	OZN012	DG&HB	GEP09	GEP09	Power Wizard 1.0	Power Wizard 1.1	3000	0	DEHRAWOT_Gari Bazar	Partial
1096	Orazgan	OZN013	DG&HB	GEP13	GEP13	Power Wizard 1.1	Power Wizard 1.0	3000	0	DEHRAWOT_Kotal Derawot, Sange Surakh	Partial
1097	Nimroz	NM2011	DG&CP	GEP22	#N/A	Power Wizard 1.1	NA	3000	0	PD 11_Shahrak gulistan	Complete
1098	Helmand	HLM044	DG&SP	GEP09	GEP09	Power Wizard 1.0	Power Wizard 1.0	3000	0	NAD ALI_khoshal khan kalay	Complete
1099	Helmand	HLM032	DG&SP	GEP09	0	Power Wizard 1.0	NA	3000	0	NAD ALI_Marjah	Complete
1100	Helmand	HLM041	DG&CP&S P	GEP09	0	Power Wizard 1.0	NA	3000	0	PD 7_Safyian	Complete
1101	Helmand	HLM045	DG&SP	GEP09	0	Power Wizard 1.0	NA	3000	0	NAWAY I BARAKZAI_Aynak	Complete
1102	Saripul	RPT_SPL003	DG&DG	GEP13	GEP13	Power Wizard 2.0	Power Wizard 2.0	6000	3000	Sheram Village	Complete
1103	Parwan	PRN020	DG&HB	GEP13	GEP9	Power Wizard 1.1	Power Wizard 1.1	6000	3000	Syahgird (Ghorband)_balahisar	Partial
1104	Qandahar	QDH023	DG&SC	GEP22	SC	DSE	Power Wizard 1.1	3000	0	ARGHANDAB_Baba Sahib	Complete
1105	Qandahar	QDH035	DG&SP	GEP09	0	Power Wizard 1.1	Power Wizard 1.1	3000	0	TARNAK WA JALDAK_Bamizai	Complete
1106	Faryab	FRB095	DG&CP	GEP13	GEP13	Power Wizard 2.0	0	3000	0	KHWAJA SABZ POSH_Bazar Khoja Sabz Posh	Complete
1107	Faryab	FRB045	DG&HB	GEP22	GEP9	Power Wizard 1.0	DCP-10	3000	0	PASHTOON KOT_Zarshoy	Partial
1108	Ghazni	GZN025	DG&SP	GEP13	GEP13	DCP-10	DCP-10	3000	0	MALISTAN_Tape Bazir Miradina	Complete
1109	Ghazni	GZN026	DG&HB	GEP09	GEP09	DCP-10	DCP-10	3000	0	MALISTAN_Petawe Jambud	Partial
1110	Paktika	PKK004	DG&SP	GEP09	GEP09	Power Wizard 1.0	Power Wizard 1.0	3000	0	SHARANA_Surk Khail	Complete




11 11	Wardak	WDK022	DG&DG	GEP09	GEP 09	Power Wizard 1.0	0	3000	0	Nerkh_Sarfraz Khel	Complete
11 12	Qandahar	QDH109	DG&CP&S C	22KVA	SC	Power Wizard 1.0	NA	3000	0	PD 1_Imam Bara village	Complete
11 13	Parwan	PRN004	DG&SP	GEP09	sp	Power Wizard 1.0	NA	5000	0	Shinwari_Dak village	Complete
11 14	Faryab	FRB036	DG&SP	GEP09	GEP 09	Power Wizard 1.0	Power Wizard 1.0	6000	0	Kohistan_Geldan	Complete
11 15	Faryab	FRB037	DG&SP	GEP09	GEP 09	Power Wizard 1.0	Power Wizard 1.0	6000	0	Kohistan_Sadri	Complete
11 16	Faryab	RPT_FRB 004	DG&DG	GEP22	0	Power Wizard 1.0	Power Wizard 1.0	8000	0	Kohistanat	Complete
11 17	Ghor	GHR032	DG&SP	GEP09	GEP 09	Power Wizard 1.1	Power Wizard 1.1	5000	0	Char Sada_Tape Bande Khafak	Complete
11 18	Nangarhar	NGR_MB TS001	DG&SP	GEP13	0	Power Wizard 1.0	N/A	#N/A	0	Turkham	Complete
11 19	Kabul	KBL520	DG&SP	13kva	#N/ A	#N/A	#N/A	3000	0	Khair Khana Hesa 2	Complete
11 20	Paktika	PKK035	DG&SP	GEP09	GEP 09	Power Wizard 1.0	0	3000	0	Trawa_Kohe Trawa	Complete
11 21	Nemrowz	RPT_NMZ 007	DG&SP	GEP13	0	Power Wizard 1.1	Power Wizard 1.1	3000	0	Khash road	Complete
11 22	Helmand	HLM083	DG&SP	GEP13	GEP 09	Power Wizard 2.0	Power Wizard 1.1	3000	0	NAWZAD_Mianji Village	Complete
11 23	Faryab	FRB085	DG&DG	GEP22	GEP 22	DCP-10	Power Wizard 1.1	3000	0	PASHTOON KOT_Aq Darreh	Complete
11 24	Ghor	GHR036	DG&DG	GEP13	GEP 13	Power Wizard 2.0	Power Wizard 2.0	3000	0	#N/A	Complete
11 25	Hirat	HRT145	DG&HB	GEP22	GEP 22	DCP10	0	3000	0	GUZARA_Inside- Herat Airport	Partial
11 26	Kabul	KBL220	CP&SP	No DG						PD 1_Sare Chawok	Partial
11 27	kabul	KBL115	CP&SP	No DG						PD 1_Jadai Maiwand Sadiq Omar Market	Partial
11 28	kabul	KBL042	CP&SP	No DG						PD 1_Chamane Huzoori, qaleen foroshi market	Partial
11 29	kabul	KBL420	CP&SP	No DG						PD 9_Macroyan 3, Omer Gulistan Town	Partial
11 30	kabul	KBL041	CP	No DG						PD 2_MoC	Partial
11 31	kabul	KBL056	CP	No DG						PD 10_Majeed Mall Shahre Naw	Partial
11 32	kabul	KBL097	CP	No DG						PD 15_Airport Terminal	Partial
11 33	kabul	KBL146	CP	No DG						PD 4_Golbahar Center	Partial
11 34	kabul	KBL184	CP	No DG						PD 4_kabul city center	Partial
11 35	kabul	KBL404	CP	No DG						PD 5_Intercontinental Hotel	Partial

### Reporting Tables:

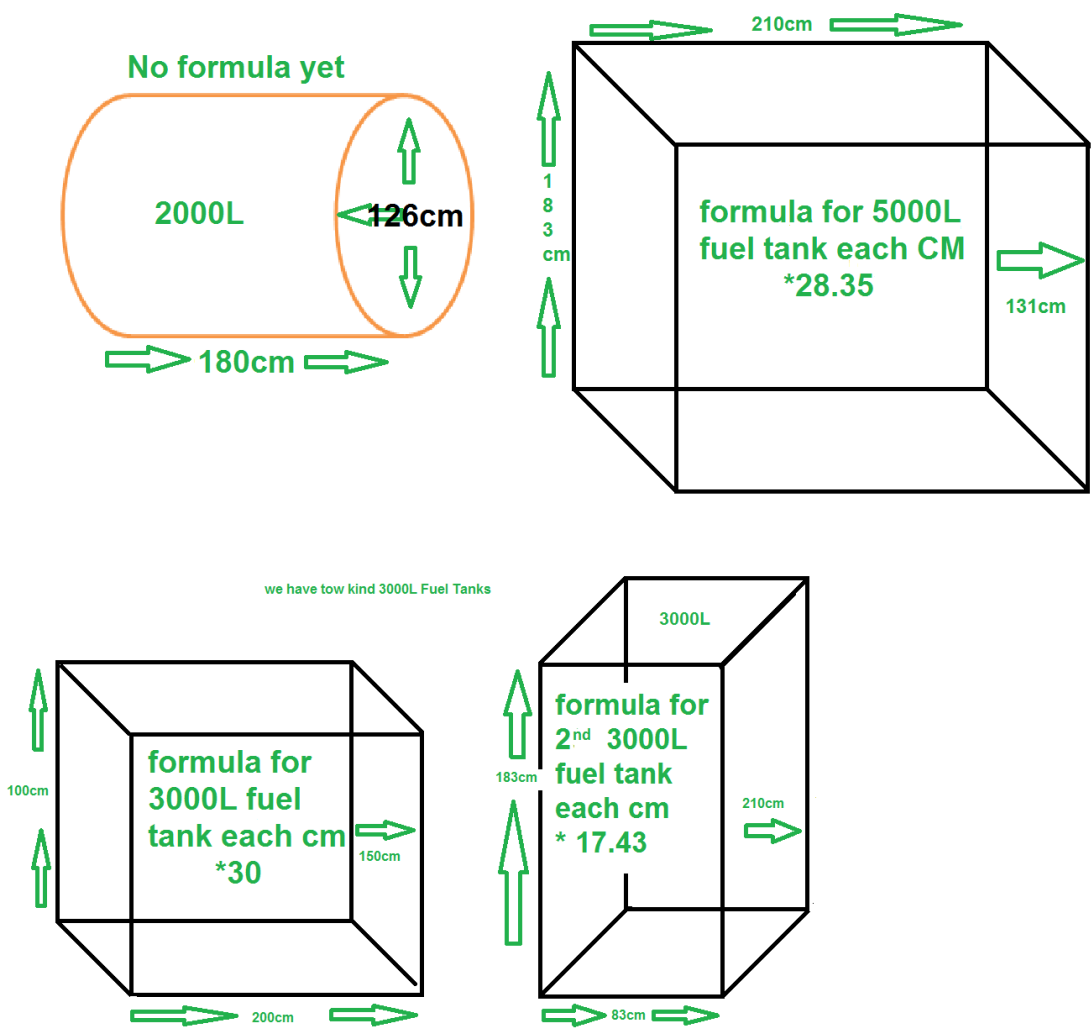
### Fuel Planning Reporting Format:

#	Site ID	Power Source	Date	R-I (A)	Y-I (A)	B-I (A)	Total KW	kWH	Liter	mm	Fuel Consumption (L/H)	Fuel Consumption Monthly	Alarm	Cumulative DG RH	Daily DG RH	Monthly DG RH
1	KBL001	DG+CP	16-09-2023	6	6	5	3.8	15298.7	997	579	2.5		Low Fuel	2301:42:42	13	390

### Budgeting Reporting Formats:

 Reports Template.xlsx
  Sites Level Break Up (Fuel) Oct 2023.xlsx
  Fuel Working for Finance Oct 2023.xlsx

**TYPICAL FUEL TANK IN EA SITES:**



## ANNEX \_\_A Compliance Provisions.

### 1. Anti-Bribery Anti-Corruption

1.1 The Business Partner represents and warrants on behalf of itself, its directors and employees and any third-party employed and/or retained to act for or on its behalf including, without limitation, agents, contractors, sub-contractors and professional representatives (“**Representatives**”) (including executive officers and directors of any such Representatives) that:

- (a) it complies and will comply with all applicable laws, statutes and regulations relating to anti-bribery and anti-corruption including but not limited to the UAE Penal Code (“**Relevant Requirements**”) to the extent applicable to the Parties;
- (b) it will not directly or indirectly through a third party, in relation to, in connection with, or arising from the performance of this Agreement give, receive, promise, attempt to give or to receive or in any way facilitate the giving and/or receiving of anything of value to any person for the purpose of securing an improper advantage for (an advantage that is not legitimately due to) either Party, inducing or influencing any person to take any action or refrain from taking any action to obtain or retain business for either Party, and/or inducing any government or public official to take or to omit to take any decisions unlawfully;
- (c) it has and shall maintain in place throughout the term of this Agreement its own adequate policies and procedures that are aligned with the Relevant Requirements, and shall train its own employees on its policies and procedures to ensure compliance with the Relevant Requirements, and will enforce its policies and procedures where appropriate.
- (d) it shall immediately and in any case within three (3) days report to [Etisalat] in writing any actual or suspected violations including any request or demand for any undue financial or other undue advantage of any kind that it receives in connection with the performance of this Agreement; and
- (e) following a request from [Etisalat], it shall certify to [Etisalat] in writing and signed by an officer of the Business Partner its compliance with this clause and the compliance of all persons associated with it as well as that of its third parties under this Agreement. The Business Partner shall provide such supporting evidence of compliance as [Etisalat] may reasonably request.

2.1 “Conflict of Interest” shall mean any circumstance, potential, actual, or perceived, that might cause a Party, persons associated with it, or a third party, to place their financial or personal interests above the interests of their contractual commitments and the performance of their obligations under this Agreement causing them to be biased in their business judgments, or to not act in good faith when taking decisions and actions that are detrimental to the interests of the other Party under this Agreement;

2.1.1 The Business Partner shall immediately and in any case within three (3) days notify [Etisalat] in writing if a Public Official<sup>1</sup> becomes an officer or employee of the Business

---

<sup>1</sup> “Public Official,” for the purposes of this agreement, includes, but is not limited to (i) any elected or appointed official (whether in the executive, legislative or judicial branches of government) of a local, state, provincial, regional or national government (or any department or agency of those types of government bodies), (ii) any government employee, part-time government worker, unpaid government worker, or anyone “acting in an official capacity” (i.e., acting under a delegation of authority from a government to carry out government responsibilities), (iii) any political party, party official, or candidate for political office, (iv) any official or employee of a public international organization such as the World Bank or United Nations, or any department or agency of those



Partner or acquires a direct or indirect interest in the Business Partner and the Business Partner warrants that it has no Public Officials as direct or indirect owners, officers or employees as of the date of this Agreement;

2.1.2 The Business Partner represents and warrants that neither it nor any persons associated with it or any third party has interests that would conflict in any way with the performance of its obligations under this Agreement; and

2.1.3 If any actual or potential Conflict of Interest arises under this Agreement, the Business Partner shall immediately and in all cases within three (3) days inform [Etisalat] in writing of such conflict and shall provide all relevant information to assist [Etisalat] in its assessment of such conflict.

3.1 The Business Partner shall ensure that any third party associated with the Business Partner who is performing services or providing goods in connection with the performance of this Agreement does so only on the basis of a written contract which imposes on such third-party terms equivalent to those imposed on the Business Partner in this [Annex 1]. The Business Partner shall be responsible for the observance and performance by such third parties of the terms similar to those stipulated by this compliance provisions, and shall be directly liable to [Etisalat] for any breach by such third parties of any of the Relevant Requirements. For the purposes of this [Annex 1], a person associated with the Business Partner includes any subcontractor of the Business Partner. The Business Partner may only engage a third-party (e.g., subcontractor) under this Agreement subject to [Etisalat]'s prior written approval.

3.2 In connection with its relationship to [Etisalat] and each of the transactions established by the Agreement, the Business Partner has maintained and will continue to maintain complete and accurate books, records, invoices and other documents concerning payments and expenses.

3.3 [Etisalat] or its auditors or representatives may at any time audit Business Partner's compliance with this [Annex 1], and the Business Partner warrants its full cooperation with any investigation of suspected violations, including but not limited to, the timely provision of all relevant information, records, documentation, evidence, and employees, as may be requested by [Etisalat].

3.4 [Etisalat] shall be entitled to suspend payments of Business Partner invoices that are, or become due in case there is a reasonable believe that the Business Partner might have committed an actual or potential violation of this Annex 1 or applicable anti-bribery or anti-corruption laws, or whenever investigation or audit conducted reveal actual or suspected violations of this [Annex 1], or that become due at any time during a period of ninety (90) days thereafter.

3.5 The Business Partner shall indemnify [Etisalat] against any losses, liabilities, damages, costs (including but not limited to legal fees) and expenses incurred by, or awarded against, [Etisalat] as a result of any breach of this [Annex 1] by the Business Partner.

3.6 Breach of this [Annex 1] shall constitute a material breach of this Agreement by the Business Partner. If the Business Partner is in breach of this [Annex 1]:

(a) [Etisalat] shall have the right to terminate this Agreement with immediate effect, without prejudice to its rights and remedies under this Agreement, including its right to claim damages; and

(b) the Business Partner shall not be entitled to any claim compensation or any further

---

*types of organizations, (v) any official, representative, or employee of a company that is under even partial ownership or control by a government.*

remuneration, regardless of any agreements entered into with third parties before termination.

## 2. Export Controls and Sanctions

### Definition Section:

<b>Affiliated Persons</b>	mean any owner, officer, director, partner, principal, employee, any legal entity with control of or controlled by the Business Partner or same owner(s) and/or or agents, suppliers or other contractors of the Business Partner.
<b>Applicable Sanctions/Export Control Laws</b>	mean the Sanctions Laws and/or the Export Control Laws of the UAE, and any other jurisdiction in which the Business Partner deals in Items and/or provides services [including but not limited to US, UK, EU].
<b>Blocked Person</b>	means, at any time, any person (a) whose property or interest in property is blocked by any Sanctions, (b) designated as a target of asset freeze under Sanctions, (c) with whom dealings are otherwise prohibited under applicable Sanctions or Export Control Laws, or (d) owned or controlled by any such person.
<b>Export Control Laws</b>	mean laws and regulations related to the regulation of imports, exports, re-exports, sale, resale, transfers, releases, shipments, transmissions, or any other provision or receipt of goods, technology, technical data, software, or services, and any laws or regulations of a similar nature administered and enforced by Governmental Authorities.
<b>EU</b>	Means the European Union
<b>Governmental Authorities</b>	mean any agency, office, bureau, department, or instrumentality of the national government of the UAE, [any other applicable jurisdiction: US, UK, EU], that is responsible for administering and enforcing Sanctions and Export Control Laws and/or which has other relevant regulatory or other authority over the Business Partner, as required in the context of the relevant Agreement.
<b>Item</b>	means hardware, software including source code, technology, documents, technical data, diagrams and services.
<b>Representatives</b>	mean any third-party employed to act for or on behalf of Business Partner including, without limitation, agents, contractors, sub-contractors and professional representatives.
<b>Sanctions Laws</b>	mean economic or financial sanctions or trade embargoes imposed, administered or enforced by Government Authorities with applicable jurisdiction.
<b>Sectoral Sanctioned Entity</b>	means, at any time, any person subject to Sanctions administered or enforced Governmental Authorities.
<b>US</b>	Means the United States of America

<b>UK</b>	Means the United Kingdom of Great Britain and Northern Ireland
<b>UAE</b>	Means the United Arab Emirates

**Sanctions and Export Control clauses:**

[1. The Business Partner acknowledges that any Items that it provides under the Agreement may be subject, or become subject in the future, to the Applicable Sanctions/Export Control Laws of one or more jurisdictions (including without limit those of the U.S., the European Union, the UAE, the UK and any other jurisdiction in which it deals in Items), and shall not deal in, supply, deliver, broker or export any such Items without first obtaining all governmental licenses and approvals and making any notifications that may be required under such Applicable Sanctions/Export Control Laws.]

**1.11 2. The Business Partner agrees at all times to comply with and ensure that it, its Affiliated Persons and Representatives act in compliance with all Applicable Sanctions/Export Control Laws in carrying out its responsibilities under this Agreement. Without limiting the foregoing, the Business Partner represents, warrants and undertakes that:**

2.1 Neither the Business Partner, nor any of its Affiliated Persons or Representatives is a Blocked Person, Sectoral Sanctioned Entity, or otherwise sanctioned person/entity with whom dealings are prohibited or restricted under the Applicable Sanctions/Export Control Laws;

2.2 The Business Partner will not, in connection with any activities involving [Etisalat] (including all Affiliated persons or representatives of [Etisalat]) or this Agreement, export, re-export, ship, sell, resell, supply, deliver, or otherwise transfer any Items to, from, or through – either directly or indirectly – any country or person in violation of any Applicable Sanctions/Export Control Laws;

2.3 The Business Partner will not cause [Etisalat] to violate any Applicable Sanctions/Export Control Laws;

2.4 The Business Partner shall provide to [Etisalat], prior to delivery of any Items that would be classified under applicable Export Controls, [i] a schedule identifying in writing the export controls regime to which the Items are subject and, [ii] the appropriate export controls classifications (e.g., Export Control Classification Numbers) with respect to each Item, in sufficient detail to enable [Etisalat] to ascertain any export control that may apply to [Etisalat]; and

2.5 The Business Partner shall promptly notify [Etisalat] in writing of any suspected or confirmed violations or issues of non-compliance involving any Items provided to [Etisalat], and in any case no later than within 3 days.

2.6 The Business Partner shall notify [Etisalat] in writing as soon as possible if:

(i) the Business Partner, or any of its Affiliated Persons or Representatives, has become listed on any restricted parties list (including, without limitation, any US, EU, UK or UN sanctions lists) or becomes subject to any Sanctions; or

(ii) it becomes aware that any relevant Governmental Authority has initiated or will initiate any investigation or proceedings against the Business Partner, or any of its Affiliated Persons or Representatives, relating to an actual or potential breach of any Export Control Laws or Sanctions in relation to its obligations under this Agreement.

**1.12 3. The Business Partner shall identify, obtain and maintain all government registrations, licenses and approvals required under any applicable Export Control Laws to engage in the activities covered by this Agreement, including any applicable registrations or licenses to engage in the business of manufacturing, exporting, brokering or trading export controlled Items.**

**1.13 4. Nothing in the Agreement is intended, and nothing herein should be interpreted or construed, to induce or require either Party or their Affiliated Persons or Representatives to**

**act in any manner which is inconsistent with, penalized or prohibited under any Applicable Sanctions/Export Control Laws as applicable to such Party;**

5. Neither party nor its Affiliated Persons or Representatives shall be obliged to perform any obligation otherwise required under this Agreement if this would be in violation of, inconsistent with, or expose such party to punitive measures under, any Applicable Sanctions/Export Control Laws.

6. If [Etisalat], acting reasonably, believes that the Business Partner, its Affiliated Persons or its Representatives breached or is likely to have breached any element of these Sanctions and Export Control clauses, [Etisalat] shall have the right to immediately conduct an appropriate audit into any such breach or potential breach, using its own resources and/or through independent third parties engaged by [Etisalat], and shall withhold payments to the Business Partner during the period of any such audit. Business Partner, its Affiliated Persons or its Representatives shall at all times cooperate fully and in good faith including with regard to the prompt provision of all relevant information, records and documents in order to facilitate and expedite the conduct of any such [Etisalat] audit.

7. The Business Partner agrees that non-compliance with any of the representations and/or obligations set out in this Agreement by the Business Partner, its Affiliated Persons or its Representatives may result in adverse consequences for [Etisalat] and would allow [Etisalat] to consider such non-compliance as a material breach of the Agreement, and would further entitle [Etisalat] to immediately terminate any and all existing Agreements with the Business Partner for cause without liability as specified in the Agreement.

8. The Business Partner agrees to fully indemnify and hold harmless [Etisalat] and its representatives against any damages, costs, losses, liabilities, fines, penalties, and/or expenses (including attorneys' fees and expenses) arising out of and in connection with the Business Partner, its Affiliated Persons or Representatives non-compliance with these Sanctions and Export Control clauses, including violation or alleged violation of any Applicable Sanctions/Export Control Laws.

9. The Business Partner agrees that [Etisalat] may, at its sole discretion, conduct surveys and audits (either directly or through independent third parties engaged by [Etisalat]) to verify compliance by the Business Partner, its Affiliated Persons and Representatives with these Sanctions and Export Control clauses and Applicable Sanctions/Export Control Laws. Such surveys or audits shall be reasonable as to scope, location, date and time. The Business Partner, its Affiliated Persons or Representatives shall cooperate fully and in good faith with any such survey or audit including the prompt provision of all relevant information, records and documents as [Etisalat] may reasonably require in order to facilitate and expedite the conduct of any such audit.

10. In the event that [Etisalat] is required to obtain an authorisation, licence or other governmental approval or to make a notification under Applicable Export Control Laws for reasons arising out of this Agreement or the acts contemplated by it, the Business Partner shall provide such assistance to [Etisalat] in obtaining such approval as [Etisalat] may reasonably require.

### **3. Anti-Money Laundering and Counter Finance of Terrorism**

1. **"Applicable Anti-Money Laundering Laws and Counter Finance of Terrorism" or "AML/CFT"** means any laws, rules, or regulations applicable to [Etisalat] and the Business Partner, that prohibit engaging in or facilitating financial transactions that promote or conceal unlawful activity in any jurisdiction.

2. The Business Partner represents and warrants that:

- i. the Business Partner and each of its affiliated persons will refrain from engaging, whether directly or indirectly, in improper and/or illegal conduct, including money-laundering and terrorist financing; and, where applicable, will comply with Applicable AML/CFT Laws;
- ii. If applicable, the Business Partner has in place procedures aimed at preventing AML/CFT violations; and
- iii. the Business Partner agrees to notify [Etisalat] promptly and in any event within 3 days, in writing, of any suspicious activity under AML/CFT Laws, of which it becomes aware relating to the transaction involving [Etisalat]. Upon reasonable request, the [Etisalat] agrees to

provide [Etisalat] with documentation relating to its AML/CFT policies and procedures and assist [Etisalat] with any clarification required without any undue delay.

## Annexure-2

### RFP General Terms Compliance to be filled by Bidder

S/N	Clause No. and General Terms	Comply (Yes/No)	Remarks
1	DEFINITIONS		
2	INTRODUCTION TO WORK		
3	INSTRUCTIONS FOR BIDDING		
4	OBJECTIVES, TECHNICAL SPECIFICATIONS, AND SCOPE OF WORK		
5	DOCUMENTS TO BE SUBMITTED		
6	COMMERCIAL TERMS		
7	EVALUATION OF BIDS		
8	AWARD OF TENDER. PERFORMANCE SECURITY		
9	CONDITIONS OF CONTRACT		
10	PAYMENTS		
11	COMPLIANCE WITH EXPORT CONTROL REGULATIONS		
12	SANCTIONS AND EXPORT CONTROL LAWS		

The following Information must be submitted with the offer:

Bidder Contact Details	
Company Name	
Company Address	
Bidder Phone Number	
Bidder Contact Person Name	
Bidder Contact Person Designation	
Bidder Contact Person Phone No	
Bidder Contact Person Email Address	
Bidder Registration License Number	
License Validity	
TIN Number /Tax Number	

-----End of Document-----