



Muslim Hands Afghanistan Afghanistan

Request for Quotation (RFQ)

Construction of 35 Borewell in Kunduz Province

Issue Date: August-19-2024
Closing Date: August-25-2024

RFQ# RFQ-2024-MHI-20

1. Introduction

Muslim Hands International – MHI is an Afghanistan Relief and Development NGO, established in the United Kingdom in 1993 with the objective of providing relief and emergency services and long-term sustainable development projects in a cultural, ethical, effective, efficient and transparent manner. Muslim Hands works both directly and with partners in over 50 countries worldwide carrying out short and long-term projects in emergency relief, Health, WASH, Education, Protection, shelter, safe water, and TVET programming and a particular intervention of Advocacy and Peace in Afghanistan only. Muslim Hands Afghanistan has been awarded Investor in People (2000, 2004 & 2007) and also been accredited with Quality Management Systems Standard ISO 9001:2000. The organization is also a signatory to the Afghanistan Federation of the Red Cross and Red Crescent Movement, and various NGOs in Disaster Relief and the main sources of funding of the organization are individual donors, trusts, institutions and DFID.

Muslim Hands Afghanistan obtained formal registration from the Ministry of Economy in Afghanistan with registration No. 141 in 2005 and is now firmly established with its Headquarters in Kabul and is fully engaged in relief and development activities in different parts of the country. The work of Muslim Hands in Afghanistan involves, improving the lives of poor and vulnerable through the provision of education, health, WASH, Protection, Livelihood, advocacy, Agriculture and other specialized projects e.g., rehabilitation of the disabled, water purification and sanitation schemes, orphan sponsorship scheme, income generation activities and emergency aid / relief activities in Afghanistan. The Afghanistan head office operates in 21 provinces through head office in Kabul and regional and provincial offices in the respective regions and province of Afghanistan.

MUSLIM HANDS AFGHANISTAN wishes to commission the team member to render services in the aforementioned field due to the knowledge and experience of the Project.

House #11-1, Street second, Qali Fatullah, District 10, Kabul AFG.PH +93 (0) 786 250 533

148, Gregory Boulevard, Nottingham, NG7 5JE (UK) PH# + 44 (0)115 911 7222

www.muslimhands.org.uk



Muslim Hands Afghanistan Afghanistan

2. Scope of Civil Work

- The cost includes construction 35 borewell in Kunduz, Province along with applicable taxes.
- **MAXIMUM TIME-FRAME FOR COMPLETION OF WORKS:** The construction of 35 borewells must be completed in six months and will start after from the sign of contract.
- **Solar Panel and water reservoir Installation:** Install a suitable Solar panel system and water reservoir. Ensure the solar panel system is properly sized and installed according to the project requirements.
- Backfilling around a large-diameter pipe is an essential operation, and it is imperative for the contractor to ensure that it is done properly to a height of 1 meter above the water level.
- If the company does not finish the activities on time, the delay damage percentage is 0.01% of the total contract amount per day of delay.
- The contractor is required to inspect all designated locations chosen by MHI-Afghanistan in close collaboration with the respective PRRD offices to ensure the successful execution of the project.
- If a contractor encounters a situation where any designated location indicates potential success for the DAWs project by drilling beyond the estimated depth of 35m, MHI-Afghanistan is amendable to considering such cases. The assessment will take into account locations where the water level is higher, potentially leading to project success at depths lower than 35m, and flexibility exists in MHI-Afghanistan for this change.
- If the place of work is normal, the contractor will work as usual, and if there are any problems in the location, the contractor will contract MHI-Afghanistan before starting or relocating the machine. If after our permission the well fails, MHI will have reaction rules and regulations in this regard.
- Preference will be given to vendors with experience in digging wells.
- The exact location, GPS point and Solor details have been attached for your reference.

No	Description	Immediate Order Quantity	BoQs Specifications
1	Digging of 35 Wells with 35m depth in Kunduz, (Markaz, Dasht - e - Arche and Gul Tapa) Districts.	35	35 Meter, Koba-e, 10 inches

House #11-1, Street second, Qali Fatullah, District 10, Kabul AFG.PH +93 (0) 786 250 533

148, Gregory Boulevard, Nottingham, NG7 5JE (UK) PH# + 44 (0)115 911 7222

www.muslimhands.org.uk



Muslim Hands Afghanistan Afghanistan

Please provide the pricing for the construction of 35 borewell in Kunduz as specified below.

No.	Item Description	Unit	Quantity	No of DAWs	Unit Cost	Total cost AFN
1	Well Drilling with dia (10 Inch), Koba - e -	m	35	35		
2	PVC Pipe 5 " Inch 12 - kg (Full - Plass, C - Class), (Filter)	m	18	35		
3	PVC Pipe 5 " Inch 12 - kg (Full - Plass, C - Class)	m	17	35		
4	Glue - (156 Packs)	pcs	2	35		
5	Gravel (size 3 - 6 mm) for gravel pack	cub.m	0.26667	35		
6	Solar Made in China type (QCELLS)A-Grade, Nominal Power (+5w/-5w), PMP, [W], 330, Short Circuit ISC (A) 10.2, Open Circuit Voltage Vcc (V) 40.66, Weight (Kg/Lb) = 18.7/41.2) or its equivalent from existing market according to its pictures and specifications with its all installation, minimum 5 years Warranty according to specification.	Pcs	2	35		
7	Solar structure 3inch pipe with 40*80mm*2mm profile with standard foundation.	Pcs	1	35		
8	Cable 2.5 mm flexible Turkey/Irani made	m	40	35		
9	DC Submersible pump 400 Watt, 100-600 VDC, H: 131 Feet – 40 Meter, F: 3 cubic meter/hour, directly can be used with solar PV, Corrosion-proof housing with stainless-steel, fastener, Run dry without damage, Outlet Port: 1/2" (12.7mm) Barbed Fitting, well pro, 2 years warranty, according to specifications with installation.	pcs	1	35		
10	Rope	m	45	35		
11	Pipe: PE 100 PN 16 DN 32	m	35	35		
12	Hit for pipe/Pump Complete set	Set	1	35		

House #11-1, Street second, Qali Fatullah, District 10, Kabul AFG.PH +93 (0) 786 250 533

148, Gregory Boulevard, Nottingham, NG7 5JE (UK) PH# + 44 (0)115 911 7222

www.muslimhands.org.uk



Muslim Hands Afghanistan Afghanistan

13	Small accessories Tip/Cable tie and all accessories	Lumsum	1	35		
14	Water reservoir (1000 Litter GI sheet Galvanized 2mm thickness fixed on PCC small wall for, with its outlet, connection to the well outlet 1" pipe, and it's all installation or complementary works according to its design drawing, and MHI related engineer instruction.	pcs	1	35		
15	PCC Apron and drain M: 200(1:1.5:3), and 250 (1:1:2) Concrete total volume (estimated according to designed drawing) = 1.2 Cubic Meter	m	1.2	35		
16	Curring	day	15	35		
Subtotal for 35 DAWs						

3. Minimum Eligibility Requirements for Vendors to be Considered for Further Consideration

1. It is mandatory for vendors/contractor to attend the Pre-bid meetings on **22-August-2024** at MHI Main Office, starting at **10:00 AM**. During this meeting, a briefing will be provided regarding the announced RFQ, including specifications, quality, services, and delivery requirements. Failure to attend the Pre-bid Meeting will result in the rejection of the vendor's bids, and their bid will not be considered.
2. A bid security in Favor of "Muslim Hands Afghanistan" with a total amount of **200,000/-AFN**, equivalent to the bid amount, must accompany the bid as a tender guarantee. Please note that the bid guarantee must be provided through a bank. Once the contract has been awarded to the successful bidder his/her bid security will be converted into a performance guarantee. If any selected bidder refuses to accept the order for the offered packages or refuses to sign the contract, Muslim Hands Afghanistan reserves the right to forfeit the bid security of the bidder. Bids received without the bid guarantee will be rejected.
3. Submit their quotes as per deadline specified in RFQ.
4. Hold a valid business license and have valid business bank account in company name.

House #11-1, Street second, Qali Fatullah, District 10, Kabul AFG.PH +93 (0) 786 250 533

148, Gregory Boulevard, Nottingham, NG7 5JE (UK) PH# + 44 (0)115 911 7222

www.muslimhands.org.uk



Muslim Hands Afghanistan Afghanistan

5. Accept all MHA-Afghanistan terms and conditions, including payment terms.
6. Please note that bid submitted on our Request for Quotation (RFQ) must be filled out using our designated company format. Any bid submitted in a different format will be rejected.

4. Conflict of Interest

7. MHA requires **every prospective Supplier to** avoid and prevent conflicts of interest, by disclosing to MHA if you, or any of your affiliates or personnel, were involved in the preparation of the requirements, design, specifications, cost estimates, and other information used in this RFQ. Bidders shall strictly avoid conflicts with other assignments or their own interests, and act without consideration for future work. Bidders found to have a conflict of interest shall be disqualified.
8. Bidders must disclose in their Bid their knowledge of the following: a) If the owners, part-owners, officers, directors, controlling shareholders, of the bidding entity or key personnel who are family members of MHA staff involved in the procurement functions and/or the Government of the country or any Implementing Partner receiving goods and/or services under this RFQ.
9. The eligibility of Supplier that are wholly or partly owned by the Government shall be subject to MHA's further evaluation and review of various factors such as being registered, operated and managed as an independent business entity, the extent of Government ownership/share, receipt of subsidies, mandate and access to information in relation to this RFQ, among others. Conditions that may lead to undue advantage against other Bidders may result in the eventual rejection of the RFQ.

5. Form of proposal – information to be provided.

To be considered, your proposal submission must include the following information. Failure to supply such information, in the requested format where specified, will result in your proposal not being considered.

5.1. The RFQ will be evaluated using the following technical criteria. RFQ should address each question.

1. Does the supplier have a valid license? If yes, please provide us the scan copies.
2. Does the supplier have a quality control program to help ensure adherence to high professional standards?
3. Will the supplier be able to meet MHA's deadline? Does the number of days or the time period indicated by the supplier to complete the related tasks?
4. Does the supplier have the same experience with other NGOs or institutions? If so, please list the NGOs/institutions and indicate if we may contact them.
5. Does the RFQ adequately describe in a clear concise, and understandable manner the work to be performed including **sampling** techniques and analytical procedures to be used?

5.2. Information about your company:

- a. A short profile of your company with emphasis on the different services you supply. If the company is part of a group of companies, or is a subsidiary or parent company, please also give details of the group. N/A

House #11-1, Street second, Qali Fatullah, District 10, Kabul AFG. PH +93 (0) 786 250 533

148, Gregory Boulevard, Nottingham, NG7 5JE (UK) PH# + 44 (0)115 911 7222

www.muslimhands.org.uk



Muslim Hands Afghanistan Afghanistan

5.3. Experience:

- a. **Details of your firm's experience of providing similar services, and in particular experience of working with similar organization's funded projects in Afghanistan or any national or international NGOs.**

5.4. Costs:

- a. All cost shall be inclusive of all applicable taxes as per taxation law of the government of Afghanistan, www.mof.af, TA/DA.
- b. The quotation price should be given in AFN

5.5. Payment:

- a. Once the contract is signed with a supplier all the payment will be processed through **Bank transfer**, the supplier is not supposed to request MHA for cash or check payment.
- b. Payment will be made after the submission of the completion report. The payment processing will take place within one month of receipt of the report.
- c. Additionally, the payment will be processed to Partner Company's bank account not individual bank account.

Payment Milestones:

- a. Muslim Hands – Afghanistan (MHI – Afghanistan) will disburse each instalment subsequent to the successful completion of 10 Digging wells (DAWs) from the contractor. The completion status will be verified and approved by MHI's designated technical engineer and team.
- b. A portion of 10% from each instalment will be retained by MHI in consideration of work quality assurance and compliance with specified quantities until the conclusion or finalization phase of the project.
- c. Upon satisfactory verification of the quality of completed tasks, MHI will release the withheld 10% amounts after the project's entirety from the contractor's end. Final approval and project closure will be subject to verification by MHI's relevant team and the pertinent Provincial Ruler and Rehabilitation Department (PRRD) office.

6. Submission Procedure

- a. The Interested supplier should submit the hard sealed stamped RFQ through an official authorized representative in order to attend the bid opening event at MHA Office, House# 11-1, Street second of Qali Fatehullah, Kabul, Afghanistan by **10:00 AM, 25 August-2024**.
- b. Bid Opening Time/Date & Venue: **10:15 AM, 25 August 2024, MHA Meeting Room.**
- c. The bids received after the RFQ closure will be rejected except if the delay is determined by MHA to have been due to a valid reason.

House #11-1, Street second, Qali Fatullah, District 10, Kabul AFG.PH +93 (0) 786 250 533

148, Gregory Boulevard, Nottingham, NG7 5JE (UK) PH# + 44 (0)115 911 7222

www.muslimhands.org.uk



Muslim Hands Afghanistan Afghanistan

7. Question and Clarification:

- A. The Interested supplier/bidder can direct their queries to the operation unit of MHA via Nawazsharif.safi@afmhworldwide.org
- B. Contact No: +93 786 250 533

8. Disclaimer

MHA is not bound contractually or in any other way to any Proponent to this request for RFQ/bid. The organization is not liable for any costs or compensation in relation to the consideration of this Request for submission of proposal/bids by the Proponents whether or not the organization terminates, varies, or suspends the process or takes any other action permitted under this Request for RFQ/bids.

The organization may, at its absolute discretion, elect to abandon any part or whole of the process without giving prior notice to the Proponents or potential Proponents.

Please provide the following information:

1. Name of supplier	
2. Address of supplier	
3. Contact name	
4. Mobile number	
5. Email address	
6. Company registration number	
7. Year of company registration	
8. Please attach company registration documentation	

It should be noted that the answers you provide to this questionnaire might influence your potential relationship with MHA. Following completion, signature, and submission of this questionnaire any subsequent changes must be submitted to MHA in writing immediately.

House #11-1, Street second, Qali Fatullah, District 10, Kabul AFG.PH +93 (0) 786 250 533

148, Gregory Boulevard, Nottingham, NG7 5JE (UK) PH# + 44 (0)115 911 7222

www.muslimhands.org.uk

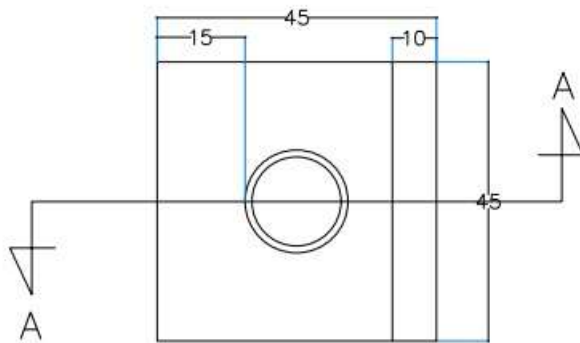
Project Name:		AFGHANISTAN - 70 DAW project					
Project Code:		AF - 24 - AF1 - SW - 002					
Sheet Name:		GPS, and Locations					
Location:		Kunduz (35 DAWs)					
Sr.N	District	Village	Location	Water Level/meter	GPS		
					N	369.5	EL
1	مرکز	نو آباد ، سردوره	پهلوی خانه عبدالقدیر	10	36.6760	375.4	1821
2		ابراهیم خیل، مقابل میدان بزکشی	پهلوی خانه امام جان	15	36.7985	362.0	2008
3		قریه کوه گردان	پهلوی قبرستان کنار سرک فرعی قریه	12	36.6825	354.0	1829
4		نو آباد چهار تاق	پهلوی سرک فرعی قریه کنار خانه احمد شاه	18	36.6892	348.0	1858
5		قریه شاه محمد	کنار مسجد جامع قریه و سرک فرعی	15	36.6760	341.2	1483.6
6		قریه حاجی رحیم	پهلوی خانه سهر گل	17	36.8314	346.1	1483.6
7		استقلال	کنار سرک عمومی پهلوی باغ فیروز	17	36.9440	69.1699	378.9
1	دشت ارچی	قریه حاجی صاحب شهید مولوی سلام	مقابل خانه حاجی صاحب مولوی عبدالسلام شهید	12	36.9600	69.1380	388.8
2		قریه کوچه	مقابل مسجد قریه و پهلوی سرک فرعی	18	37.0110	69.2268	393.6
3		عیدگاه#1	داخل مسجد قریه ساحیه مشترک	16	37.0128	69.2280	391.6
4		عیدگاه#2	مقابل خانه عبدالرشید	15	37.0097	69.2184	386.7
5	دشت ارچی	قریه عابدی #1	مقابل خانه حاجی محمد خان	18	37.0116	69.2222	382.5

6	دشت ارچی	عیدگاه#3	کنار خانه نقیب الله و پهلوی سرک فرعی قریه	15الی 20	37.0250	69.2139	374.7	
7		قریه عابدی #2	داخل مسجد قریه ساحه مشترک	18	37.0639	69.2180	357.1	
8		کلتراش نیازی#1	مقابل خانه نور محمد و کنار سرک فرعی	18	37.0700	69.2256	354.1	
9		شایسه میر	مقابل مسجد قریه و پهلوی سرک فرعی	20	37.0670	69.2096	352.3	
10		کلتراش نیازی #2	مقابل خانه رحمان الدین	14	36.9890	69.1090	385.0	
11		داویان	داخل مسجد قریه	22	37.0840	69.0800	343.9	
12		هزاره چنار#1	مقابل خانه مولوی صاحب سید الرحمن و کنار سرک فرعی قریه	13	37.0800	69.0600	354.1	
13		هزاره چنار#2	مقابل خانه حاجی صاحب عبدالمحمد	17	37.0740	69.0628	357.1	
14		هزاره چنار#3	پهلوی خانه عبدالله و کنار سرک فرعی قریه	16	36.9951	69.2226	390.2	
15		قریه وکیل نورالله	مقابل خانه محمد عارف	20	36.9950	69.1883	378.0	
16		قریه حاجی زرغون	مقابل خانه حاجی صاحب نور الله و کنارک سرک فرعی قریه	12	35.02	69.33	1443.7	
1		گل تیپه	توربه کش #1	کنار سرک عمومی قریه مقابل خانه رهایشی	20	36.8689	68.6685	325.7
2			توربه کش #2	مقابل مسجد ، کنار سرک فرعی قریه	35	36.8612	68.6565	320.5
3			مولوی صاحب خان محمد	کنار مسجد جامع و سرک عمومی قریه	30	36.8754	68.6425	314.2

4	گل تیپہ	توربہ کش #3	پهلوی خانہ حاجی رحیم اللہ کنار سرک عمومی قریہ	20	36.8557	68.6988	334.4
5		توربہ کش #4	مقابل خانہ روز الدین، پهلوی سرک عمومی قریہ	30	36.8522	68.6969	338.5
6		توربہ کش #5	کنار سرک فرعی قریہ، ساحہ مشترک	30	36.8579	68.7129	337
7		توربہ کش #6	پهلوی سرک عمومی قریہ، مقابل خانہ رھایشی	30	36.8533	68.7118	333.8
8		توربہ کش #7	کنار خانہ محمد عارف و پهلوی سرک عمومی قریہ	18	36.8496	68.7236	339.3
9		حاجی محمد خان	پهلوی سرک عمومی قریہ، کنار خانہ حاجی عبدالمجید	8	36.8293	68.6597	310.2
10		اریاب موسی	مقابل مسجد، کنار سرک عمومی قریہ	6	36.8271	68.6566	315.7
11		بیش کپہ	داخل مسجد قریہ	6	36.8319	68.6660	313.8
12		خروٹی ہا	داخل ساحہ مسجد	4	36.8027	68.6586	316.2

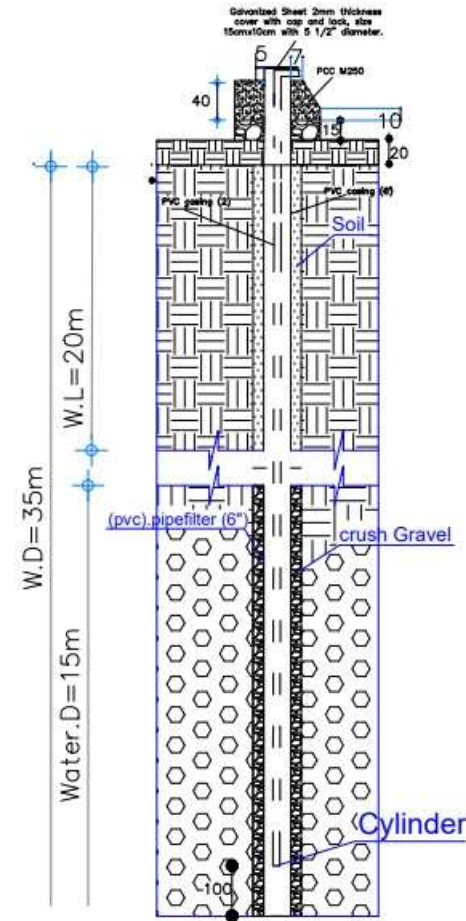
TUBE WELL / Solar System and Water Reservoir

General Information:
 Name: 70 DAWs Project.
 Diameter: 10 Inch
 Depth: 35m
 Location: Kunduz, And Logar



Plan

Dimensions' Unit: cm



SEC A-A



No	Date	Revision	Survey by	Mir Mh Zahir Qaderi	Muslim Hands - Afghanistan WASH Projects	Scale	1:1	Sheet#	01/04	Province	Kunduz Logar	Project name: 70 DAWs Project Drawing Title: DAW Plane, Details Sections
1			Structural Design by	Mir Mh Zahir Qaderi		Date						
2			Drawn by	Mir Mh Zahir Qaderi		Drawing No.	ST-01					
3			Approved by	MHI								

TUBE WELL / Solar System and Water Reservoir

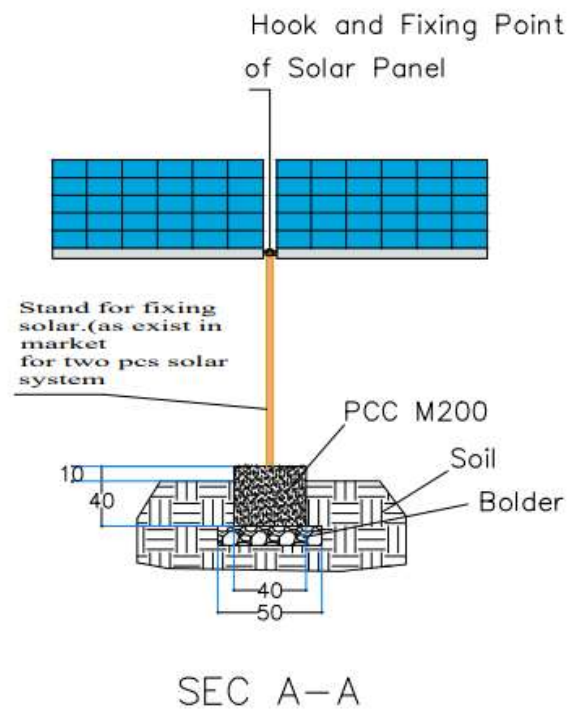
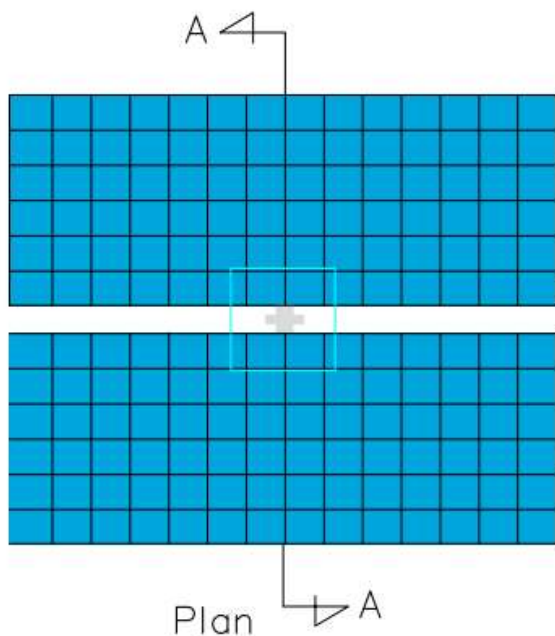
General Information:

Name: 70 DAWs Project.

Diameter: 10 Inch

Depth: 35m

Location: Kunduz, And Logar



Dimensions' Unit: cm



No	Date	Revision	Survey by	Mir Mh Zahir Qaderi	Muslim Hands - Afghanistan WASH Projects	Scale	1:1	Sheet 02/04	Province	Kunduz ,Logar	Project name: 70 DAWs Project
1			Structural Design by	Mir Mh Zahir Qaderi		Date					
2			Drawn by	Mir Mh Zahir Qaderi		Drawing No.	ST-02				
3			Approved by	MHI							Drawing Title: Solar Panel System Plane, Details Sections

TUBE WELL / Solar System and Water Reservoir

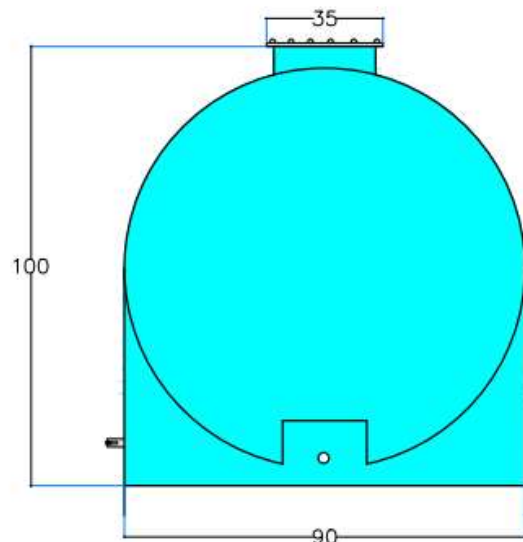
General Information:

Name: 70 DAWs Project.

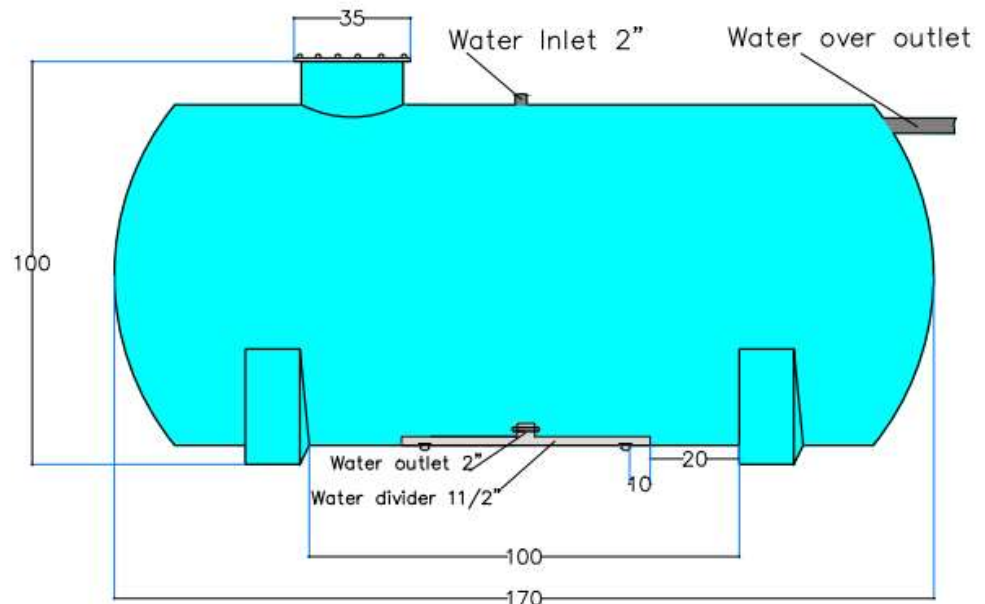
Diameter: 10 Inch

Depth: 35m

Location: Kunduz, And Logar



Side View



Front View

1000 litter full polyester Reservoir	
Diameter (Width)	90cm
Total Hight	100cm
Lenght	170cm
Cap Size	(35x35)cm
Material	Galvanized 2mm thick GI sheet from high quality.

Dimensions' Unit: cm



Nd	Date	Revision	Survey by	Mir Mh Zahir Qaderi	Muslim Hands - Afghanistan WASH Projects	Scale	1:1	Sheet#	03/04	Province	Kunduz Logar	Project name: 70 DAWs Project Drawing Title: Reservoir Plane. Details Sections, and dimensions
1			Structural Design by	Mir Mh Zahir Qaderi		Date						
2			Drawn by	Mir Mh Zahir Qaderi		Drawing No.	ST-03					
3			Approved by	MHI								

TUBE WELL / Solar System and Water Reservoir

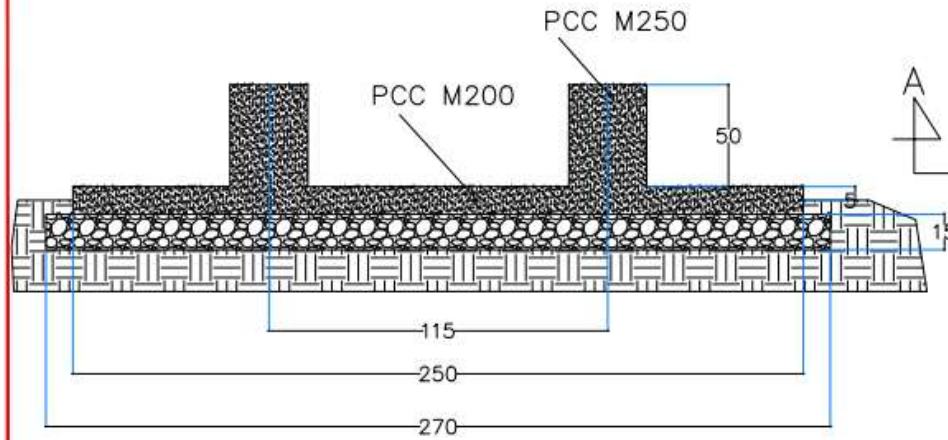
General Information:

Name: 70 DAWs Project.

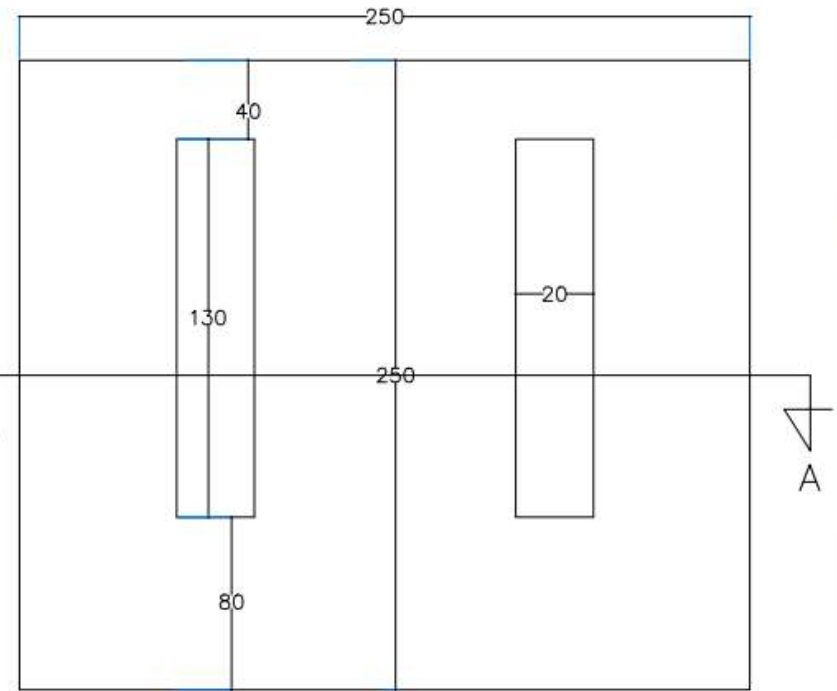
Diameter: 10 Inch

Depth: 35m

Location: Kunduz, And Logar



SEC A-A

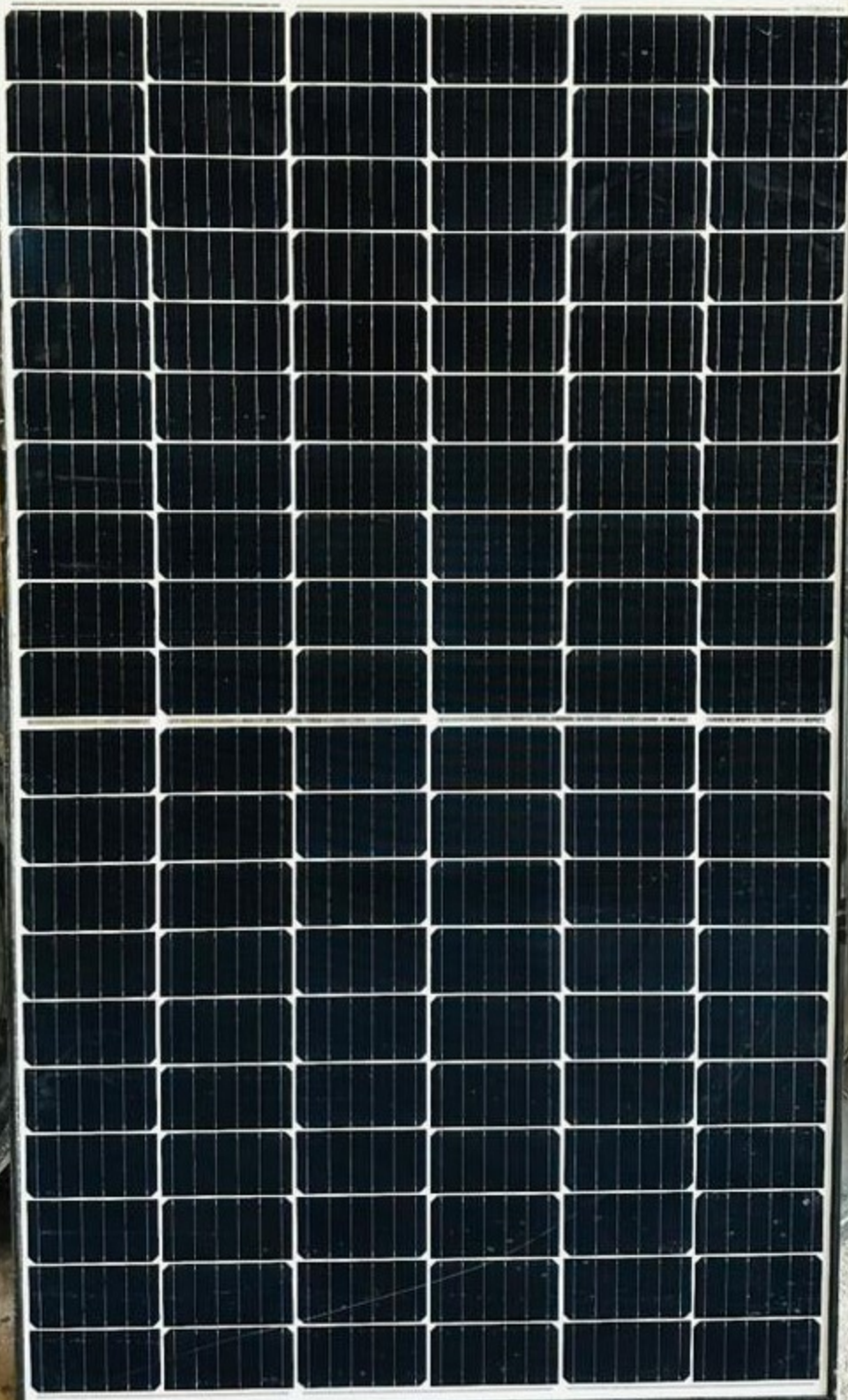


Plane

Dimensions' Unit: cm



No	Date	Revision	Survey by	Mir Mh Zahir Qaderi	Muslim Hands - Afghanistan WASH Projects	Scale	1:1	Sheet# 04/04	Province Kunduz ,Logar	Project name: 70 DAWs Project
1			Structural Design by	Mir Mh Zahir Qaderi		Date				Drawing Title: PCC concrete under Water Reservoir
2			Drawn by	Mir Mh Zahir Qaderi		Drawing No.	ST-04			
3			Approved by	MHI						



671220232734300891



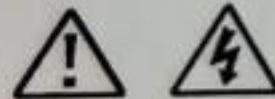
671220232734300891

ENGINEERED, DESIGNED AND QUALITY TESTED BY Q CELLS IN GERMANY

Q.PEAK DUO-G5 330**Q CELLS****PERFORMANCE AT STANDARD TEST CONDITIONS***

Nominal Power* (+5W / -0W)	P_{MPP}	[W]	330
Short circuit current*	I_{SC}	[A]	10.20
Open circuit voltage*	V_{OC}	[V]	40.66
Current at maximum power	I_{MPP}	[A]	9.71
Voltage at maximum power	V_{MPP}	[V]	33.98
Maximum system voltage	V_{SYS}	[V]	1000 (IEC)
Weight	M	[kg / lbs]	18.7 / 41.2

Made in China

**DANGER!****Risk of electric shock!**

DO NOT connect or disconnect plug contacts while system is under load current. Refer to the Installation and Operation Manual before installing, operating or servicing this unit.

DANGER!**Risque de choc électrique**

NE PAS connecter ou déconnecter les connecteurs lorsque le système est en charge.

Consultez le manuel d'installation et d'utilisation avant installation, utilisation et entretien du produit.

Fire Rating: Class C / Type 2

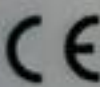
Design load: 55 lbs/ft²

Fuse Rating: 20 A

For field connections, use minimum No.12 AWG copper wires insulated for a minimum of 90 °C



Safety Class II



Serial No. 671220232734300891



Hanwha Q CELLS (Qidong) Co., Ltd.
No.888 Linyang Road, Qidong City, Jiangsu Province, China

EMAIL sales@hanwha-qcells.com
WEB www.q-cells.com

