



Muslim Hands Afghanistan Afghanistan

Request for Quotation (RFQ)

Construction of 35 Borewell in Logar Province

Issue Date: August-19-2024

RFQ# RFQ-2024-MHI-21

Closing Date: August-25-2024

1. Introduction

Muslim Hands International – MHI is an Afghanistan Relief and Development NGO, established in the United Kingdom in 1993 with the objective of providing relief and emergency services and long-term sustainable development projects in a cultural, ethical, effective, efficient and transparent manner. Muslim Hands works both directly and with partners in over 50 countries worldwide carrying out short and long-term projects in emergency relief, Health, WASH, Education, Protection, shelter, safe water, and TVET programming and a particular intervention of Advocacy and Peace in Afghanistan only. Muslim Hands Afghanistan has been awarded Investor in People (2000, 2004 & 2007) and also been accredited with Quality Management Systems Standard ISO 9001:2000. The organization is also a signatory to the Afghanistan Federation of the Red Cross and Red Crescent Movement, and various NGOs in Disaster Relief and the main sources of funding of the organization are individual donors, trusts, institutions and DFID.

Muslim Hands Afghanistan obtained formal registration from the Ministry of Economy in Afghanistan with registration No. 141 in 2005 and is now firmly established with its Headquarters in Kabul and is fully engaged in relief and development activities in different parts of the country. The work of Muslim Hands in Afghanistan involves, improving the lives of poor and vulnerable through the provision of education, health, WASH, Protection, Livelihood, advocacy, Agriculture and other specialized projects e.g., rehabilitation of the disabled, water purification and sanitation schemes, orphan sponsorship scheme, income generation activities and emergency aid / relief activities in Afghanistan. The Afghanistan head office operates in 21 provinces through head office in Kabul and regional and provincial offices in the respective regions and province of Afghanistan.

MUSLIM HANDS AFGHANISTAN wishes to commission the team member to render services in the aforementioned field due to the knowledge and experience of the Project.

House #11-1, Street second, Qali Fatullah, District 10, Kabul AFG.PH +93 (0) 786 250 533

148, Gregory Boulevard, Nottingham, NG7 5JE (UK) PH# + 44 (0)115 911 7222

www.muslimhands.org.uk



Muslim Hands Afghanistan Afghanistan

2. Scope of Civil Work

- The cost includes construction 35 borewell in Logar, Province along with applicable taxes.
- **MAXIMUM TIME-FRAME FOR COMPLETION OF WORKS:** The construction of 35 borewells must be completed in six months and will start after from the sign of contract.
- **Solar Panel and water reservoir Installation:** Install a suitable Solar panel system and water reservoir. Ensure the solar panel system is properly sized and installed according to the project requirements.
- Backfilling around a large-diameter pipe is an essential operation, and it is imperative for the contractor to ensure that it is done properly to a height of 1 meter above the water level.
- If the company does not finish the activities on time, the delay damage percentage is 0.01% of the total contract amount per day of delay.
- The contractor is required to inspect all designated locations chosen by MHI-Afghanistan in close collaboration with the respective PRRD offices to ensure the successful execution of the project.
- If a contractor encounters a situation where any designated location indicates potential success for the DAWs project by drilling beyond the estimated depth of 35m, MHI-Afghanistan is amendable to considering such cases. The assessment will take into account locations where the water level is higher, potentially leading to project success at depths lower than 35m, and flexibility exists in MHI-Afghanistan for this change.
- If the place of work is normal, the contractor will work as usual, and if there are any problems in the location, the contractor will contract MHI-Afghanistan before starting or relocating the machine. If after our permission the well fails, MHI will have reaction rules and regulations in this regard.
- Preference will be given to vendors with experience in digging wells.
- The exact location, GPS point and Solor details have been attached for your reference.

No	Description	Immediate Order Quantity	BoQs Specifications
1	Digging of 35 Wells with 35m depth in Logar, (Markaz, Kherwar, Barak - e – Barak and Mohammad Agha) Districts.	35	35 Meter, Koba-e, 10 inches

House #11-1, Street second, Qali Fatullah, District 10, Kabul AFG.PH +93 (0) 786 250 533

148, Gregory Boulevard, Nottingham, NG7 5JE (UK) PH# + 44 (0)115 911 7222

www.muslimhands.org.uk



Muslim Hands Afghanistan Afghanistan

Please provide the pricing for the construction of 35 borewell in Logar as specified below.

No.	Item Description	Unit	Quantity	No of DAWs	Unit Cost	Total cost AFN
1	Well Drilling with dia (10 Inch), Koba - e -	m	35	35		
2	PVC Pipe 5 " Inch 12 - kg (Full - Plass, C - Class), (Filter)	m	18	35		
3	PVC Pipe 5 " Inch 12 - kg (Full - Plass, C - Class)	m	17	35		
4	Glue - (156 Packs)	pcs	2	35		
5	Gravel (size 3 - 6 mm) for gravel pack	cub.m	0.26667	35		
6	Solar Made in China type (QCELLS)A-Grade, Nominal Power (+5w/-5w), PMP, [W], 330, Short Circuit ISC (A) 10.2, Open Circuit Voltage Vcc (V) 40.66, Weight (Kg/Lb) = 18.7/41.2) or its equivalent from existing market according to its pictures and specifications with its all installation, minimum 5 years Warranty according to specification.	Pcs	2	35		
7	Solar structure 3inch pipe with 40*80mm*2mm profile with standard foundation.	Pcs	1	35		
8	Cable 2.5 mm flexible Turkey/Irani made	m	40	35		
9	DC Submersible pump 400 Watt, 100-600 VDC, H: 131 Feet – 40 Meter, F: 3 cubic meter/hour, directly can be used with solar PV, Corrosion-proof housing with stainless-steel, fastener, Run dry without damage, Outlet Port: 1/2" (12.7mm) Barbed Fitting, well pro, 2 years warranty, according to specifications with installation.	pcs	1	35		
10	Rope	m	45	35		
11	Pipe: PE 100 PN 16 DN 32	m	35	35		
12	Hit for pipe/Pump Complete set	Set	1	35		
13	Small accessories Tip/Cable tie and all accessories	Lumsum	1	35		

House #11-1, Street second, Qali Fatullah, District 10, Kabul AFG.PH +93 (0) 786 250 533

148, Gregory Boulevard, Nottingham, NG7 5JE (UK) PH# + 44 (0)115 911 7222

www.muslimhands.org.uk



Muslim Hands Afghanistan Afghanistan

14	Water reservoir (1000 Litter GI sheet Galvanized 2mm thickness fixed on PCC small wall for, with its outlet, connection to the well outlet 1" pipe, and it's all installation or complementary works according to its design drawing, and MHI related engineer instruction.	pcs	1	35		
15	PCC Apron and drain M: 200(1:1.5:3), and 250 (1:1:2) Concrete total volume (estimated according to designed drawing) = 1.2 Cubic Meter	m	1.2	35		
16	Curring	day	15	35		
Subtotal for 35 DAWs						

3. Minimum Eligibility Requirements for Vendors to be Considered for Further Consideration

1. It is mandatory for vendors/contractor to attend the Pre-bid meetings on **22-August-2024** at MHI Main Office, starting at **10:00 AM**. During this meeting, a briefing will be provided regarding the announced RFQ, including specifications, quality, services, and delivery requirements. Failure to attend the Pre-bid Meeting will result in the rejection of the vendor's bids, and their bid will not be considered.
2. A bid security in Favor of "Muslim Hands Afghanistan" with a total amount of **200,000/-AFN**, equivalent to the bid amount, must accompany the bid as a tender guarantee. Please note that the bid guarantee must be provided through a bank. Once the contract has been awarded to the successful bidder his/her bid security will be converted into a performance guarantee. If any selected bidder refuses to accept the order for the offered packages or refuses to sign the contract, Muslim Hands Afghanistan reserves the right to forfeit the bid security of the bidder. Bids received without the bid guarantee will be rejected.
3. Submit their quotes as per deadline specified in RFQ.
4. Hold a valid business license and have valid business bank account in company name.
5. Accept all MHA-Afghanistan terms and conditions, including payment terms.

House #11-1, Street second, Qali Fatullah, District 10, Kabul AFG. PH +93 (0) 786 250 533

148, Gregory Boulevard, Nottingham, NG7 5JE (UK) PH# + 44 (0)115 911 7222

www.muslimhands.org.uk



Muslim Hands Afghanistan Afghanistan

6. Please note that bid submitted on our Request for Quotation (RFQ) must be filled out using our designated company format. Any bid submitted in a different format will be rejected.

4. Conflict of Interest

7. MHA requires **every prospective Supplier to** avoid and prevent conflicts of interest, by disclosing to MHA if you, or any of your affiliates or personnel, were involved in the preparation of the requirements, design, specifications, cost estimates, and other information used in this RFQ. Bidders shall strictly avoid conflicts with other assignments or their own interests, and act without consideration for future work. Bidders found to have a conflict of interest shall be disqualified.
8. Bidders must disclose in their Bid their knowledge of the following: a) If the owners, part-owners, officers, directors, controlling shareholders, of the bidding entity or key personnel who are family members of MHA staff involved in the procurement functions and/or the Government of the country or any Implementing Partner receiving goods and/or services under this RFQ.
9. The eligibility of Supplier that are wholly or partly owned by the Government shall be subject to MHA's further evaluation and review of various factors such as being registered, operated and managed as an independent business entity, the extent of Government ownership/share, receipt of subsidies, mandate and access to information in relation to this RFQ, among others. Conditions that may lead to undue advantage against other Bidders may result in the eventual rejection of the RFQ.

5. Form of proposal – information to be provided.

To be considered, your proposal submission must include the following information. Failure to supply such information, in the requested format where specified, will result in your proposal not being considered.

5.1. The RFQ will be evaluated using the following technical criteria. RFQ should address each question.

1. Does the supplier have a valid license? If yes, please provide us the scan copies.
2. Does the supplier have a quality control program to help ensure adherence to high professional standards?
3. Will the supplier be able to meet MHA's deadline? Does the number of days or the time period indicated by the supplier to complete the related tasks?
4. Does the supplier have the same experience with other NGOs or institutions? If so, please list the NGOs/institutions and indicate if we may contact them.
5. Does the RFQ adequately describe in a clear concise, and understandable manner the work to be performed including **sampling** techniques and analytical procedures to be used?

5.2. Information about your company:

- a. A short profile of your company with emphasis on the different services you supply. If the company is part of a group of companies, or is a subsidiary or parent company, please also give details of the group. N/A

5.3. Experience:

House #11-1, Street second, Qali Fatullah, District 10, Kabul AFG. PH +93 (0) 786 250 533

148, Gregory Boulevard, Nottingham, NG7 5JE (UK) PH# + 44 (0)115 911 7222

www.muslimhands.org.uk



Muslim Hands Afghanistan Afghanistan

- a. **Details of your firm's experience of providing similar services, and in particular experience of working with similar organization's funded projects in Afghanistan or any national or international NGOs.**

5.4. Costs:

- a. All cost shall be inclusive of all applicable taxes as per taxation law of the government of Afghanistan, www.mof.af, TA/DA.
- b. The quotation price should be given in AFN

5.5. Payment:

- a. Once the contract is signed with a supplier all the payment will be processed through **Bank transfer**, the supplier is not supposed to request MHA for cash or check payment.
- b. Payment will be made after the submission of the completion report. The payment processing will take place within one month of receipt of the report.
- c. Additionally, the payment will be processed to Partner Company's bank account not individual bank account.

Payment Milestones:

- a. Muslim Hands – Afghanistan (MHI – Afghanistan) will disburse each instalment subsequent to the successful completion of 10 Digging wells (DAWs) from the contractor. The completion status will be verified and approved by MHI's designated technical engineer and team.
- b. A portion of 10% from each instalment will be retained by MHI in consideration of work quality assurance and compliance with specified quantities until the conclusion or finalization phase of the project.
- c. Upon satisfactory verification of the quality of completed tasks, MHI will release the withheld 10% amounts after the project's entirety from the contractor's end. Final approval and project closure will be subject to verification by MHI's relevant team and the pertinent Provincial Ruler and Rehabilitation Department (PRRD) office.

6. Submission Procedure

- a. The Interested supplier should submit the hard sealed stamped RFQ through an official authorized representative in order to attend the bid opening event at MHA Office, House# 11-1, Street second of Qali Fatehullah, Kabul, Afghanistan by **10:00 AM, 25 August-2024**.
- b. Bid Opening Time/Date & Venue: **10:15 AM, 25 August 2024, MHA Meeting Room.**
- c. The bids received after the RFQ closure will be rejected except if the delay is determined by MHA to have been due to a valid reason.

7. Question and Clarification:

- A. The Interested supplier/bidder can direct their queries to the operation unit of MHA via Nawazsharif.safi@afmhworldwide.org
House #11-1, Street second, Qali Fatullah, District 10, Kabul AFG.PH +93 (0) 786 250 533
148, Gregory Boulevard, Nottingham, NG7 5JE (UK) PH# + 44 (0)115 911 7222
www.muslimhands.org.uk



Muslim Hands Afghanistan Afghanistan

B. Contact No: +93 786 250 533

8. Disclaimer

MHA is not bound contractually or in any other way to any Proponent to this request for RFQ/bid. The organization is not liable for any costs or compensation in relation to the consideration of this Request for submission of proposal/bids by the Proponents whether or not the organization terminates, varies, or suspends the process or takes any other action permitted under this Request for RFQ/bids.

The organization may, at its absolute discretion, elect to abandon any part or whole of the process without giving prior notice to the Proponents or potential Proponents.

Please provide the following information:

1. Name of supplier	
2. Address of supplier	
3. Contact name	
4. Mobile number	
5. Email address	
6. Company registration number	
7. Year of company registration	
8. Please attach company registration documentation	

It should be noted that the answers you provide to this questionnaire might influence your potential relationship with MHA. Following completion, signature, and submission of this questionnaire any subsequent changes must be submitted to MHA in writing immediately.

House #11-1, Street second, Qali Fatullah, District 10, Kabul AFG.PH +93 (0) 786 250 533

148, Gregory Boulevard, Nottingham, NG7 5JE (UK) PH# + 44 (0)115 911 7222

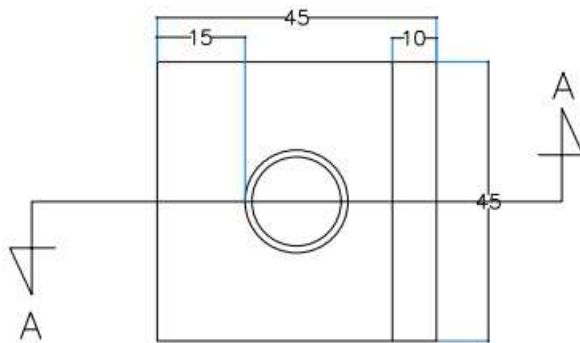
www.muslimhands.org.uk

Project Name:		AFGHANISTAN - 70 DAW project in Logar					
Project Code:		AF - 24 - AF1 - SW - 002					
Sheet Name:		GPS, and Locations					
Location:		Logar (35 DAWs)					
S.N	District	Village	Location	Water Level/meter	GPS		
					N	E	EL
1	خروار	آرزو خیل	پیش خانه احمد	10	33.4652	68.5545	2485
2		عمر خان	پیش خانه گل محمد	15	33.4157	68.5247	2460
3		عمر خان	پیش خانه محمد رفیق	10	33.4159	68.5325	2491
4		آرزو خیل	پیش خانه آدم خان	13	33.4208	68.5376	2434
5		ختکو	پیش خانه بلال	10	33.4043	68.5347	2478
6		ملک	پیش مسجد قریه	12	33.4050	68.5130	2513
7		شیخان	نجم الهدا للبنات مدرسه	10	33.4169	68.5233	2510
8		مانع بازار	مانی بازار	12	33.4390	68.5420	2480
1	برکی برک	بره کی برک مسجد بازار ولسوالی	مسجد ولسوالی		33.5756	68.5629	1941
2		قریه عبداللہ	لیسه	16	33.5356	68.5116	1960
3		قریه شاه مزار	پیش خانه سلیمان	15	33.5731	68.5641	1934
4		نواباد شاه مزار	مقابل مسجد	18	33.5425	68.5250	1905
5		قریه حضرت	مقابل مسجد	15الی 20	33.5689	68.5382	1915
6		گگر خیل	مقابل مسجد	18	33.5490	68.5744	1930
7		قریه مدیر بسم اللہ	پیش خانه مجیب اللہ	18	33.0498	68.5670	1944

8	برکی برک	دبرکی برک	پیش خانہ نقیب اللہ	20	33.5409	68.5549	1951
9		قریہ گلان	پیش خانہ حاجی اعتبار خان	14	33.5592	68.5389	1974
10		پاد خوا	پهلوی سرک	22	34.1557	68.8460	1841
11		نوآباد	بین قریہ	13	34.1515	69.8130	1846
1	محمد آغہ	قطب خیل	مقابل مسجد قریہ	10	34.1414	69.7290	1850
2		کمال خیل	مقابل مسجد قریہ	12	34.1426	69.7390	1848
3		شیرازہ	مقابل مدرسہ انائیہ	10	34.1489	69.7530	1830
4		گودگی	پیش خانہ نور آغا	20	34.1502	69.7062	1865
5		نظر خیل	پیش خانہ عبدالمتین	22	34.1456	69.7187	1820
6		دوران خیل	پیش خانہ بادام گل	26	34.1400	69.7299	1825
1	چرخ	قریہ حاجی شاہ ولی خان	داخل مسجد	25	N/A		
1	مرکز	دوغ آباد	مقابل مسجد دوغ آباد	10	34.3210	69.0230	1841
2		قریہ سید احمد	پیش خانہ خیر محمد	19	34.4450	69.3800	1846
3		قریہ جمع	بین مسجد و مدرسہ	12	34.4330	69.2520	1896
4		کمال خیل	پیش خانہ روحان الدین	14	34.1710	69.9160	1881
5		کمال خیل	پیش خانہ توربالی	13	34.1745	69.9018	1883
6		قلعہ نو دمغلان	پیش خانہ علی احمد	14	N/A		
7		قلعہ موسیٰ	پیش روی مسجد موسیٰ بابا	10	34.4598	69.3956	1844
8		بابوس	پیش خانہ نقیب اللہ	25	34.4467	69.3480	1825
9		قلعہ موسیٰ	پیش خانہ حاجی اعتبار خان	10	34.4500	69.3950	1815

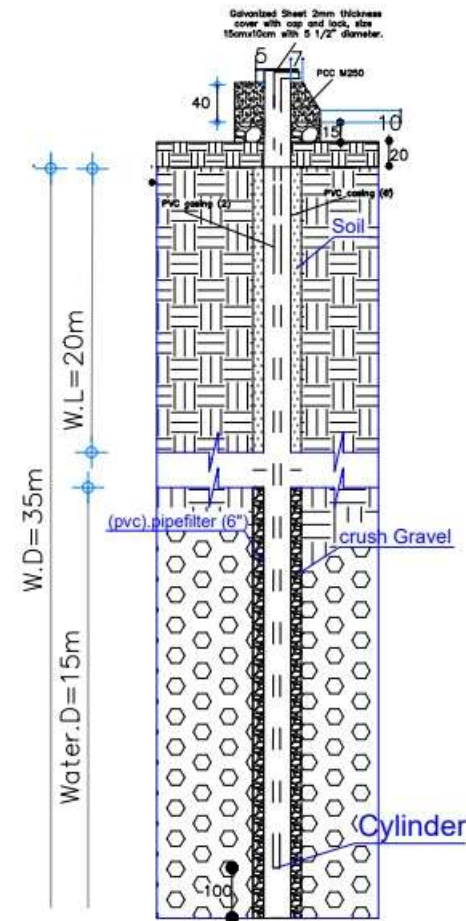
TUBE WELL / Solar System and Water Reservoir

General Information:
 Name: 70 DAWs Project.
 Diameter: 10 Inch
 Depth: 35m
 Location: Kunduz, And Logar



Plan

Dimensions' Unit: cm



SEC A-A



No	Date	Revision	Survey by	Mir Mh Zahir Qaderi	Muslim Hands - Afghanistan WASH Projects	Scale	1:1	Sheet#	01/04	Province	Kunduz, Logar	Project name:	70 DAWs Project
1			Structural Design by	Mir Mh Zahir Qaderi		Date		Province	Kunduz, Logar		Drawing Title:	DAW Plane, Details Sections	
2			Drawn by	Mir Mh Zahir Qaderi		Drawing No.	ST-01						
3			Approved by	MHI									

TUBE WELL / Solar System and Water Reservoir

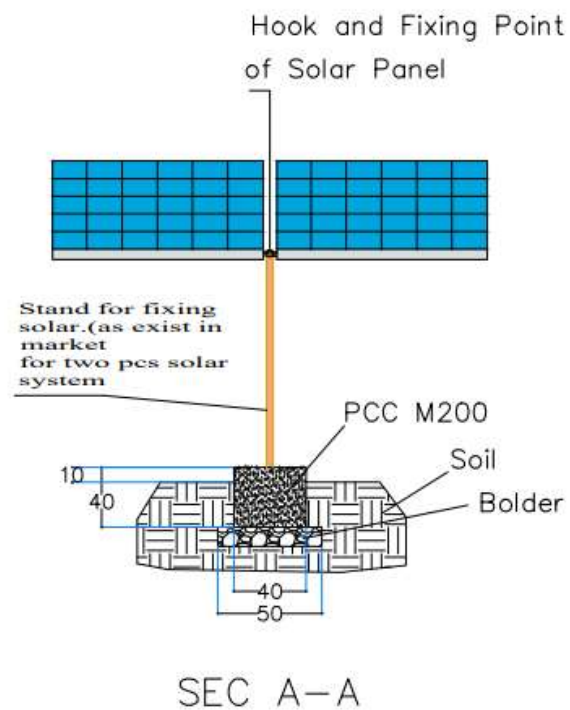
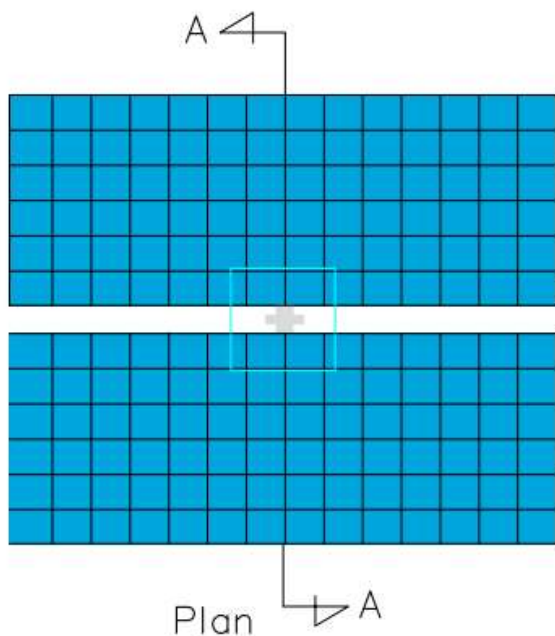
General Information:

Name: 70 DAWs Project.

Diameter: 10 Inch

Depth: 35m

Location: Kunduz, And Logar



Dimensions' Unit: cm



No	Date	Revision	Survey by	Mir Mh Zahir Qaderi	Muslim Hands - Afghanistan WASH Projects	Scale	1:1	Sheet 02/04	Province	Kunduz ,Logar	Project name: 70 DAWs Project
1			Structural Design by	Mir Mh Zahir Qaderi		Date					
2			Drawn by	Mir Mh Zahir Qaderi		Drawing No.	ST-02				
3			Approved by	MHI							Drawing Title: Solar Panel System Plane, Details Sections

TUBE WELL / Solar System and Water Reservoir

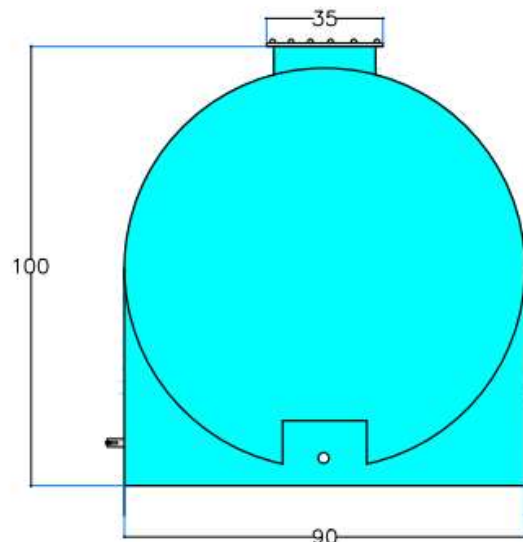
General Information:

Name: 70 DAWs Project.

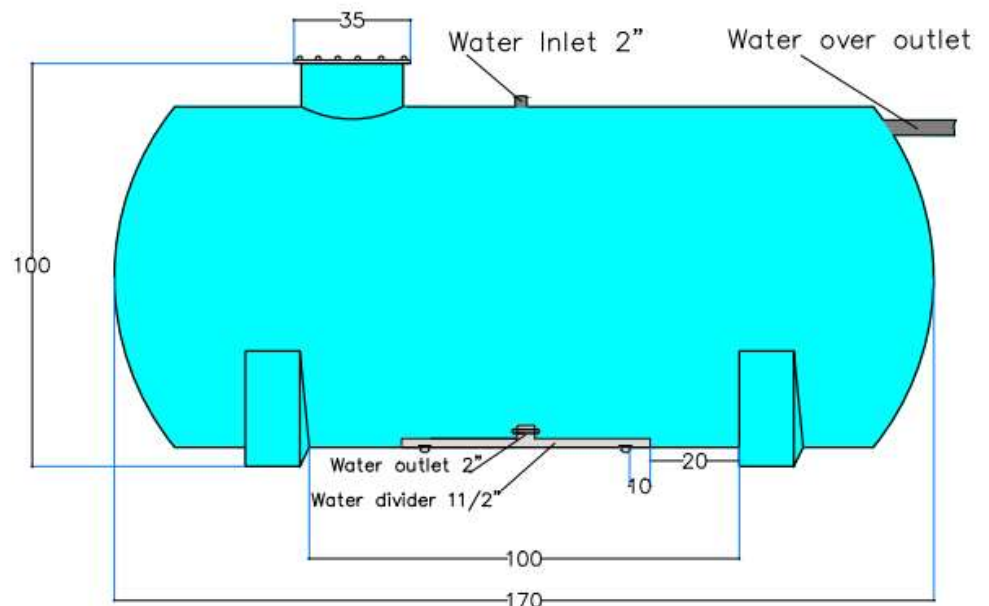
Diameter: 10 Inch

Depth: 35m

Location: Kunduz, And Logar



Side View



Front View

1000 litter full polyester Reservoir	
Diameter (Width)	90cm
Total Hight	100cm
Lenght	170cm
Cap Size	(35x35)cm
Material	Galvanized 2mm thick GI sheet from high quality.

Dimensions' Unit: cm



Nd	Date	Revision	Survey by	Mir Mh Zahir Qaderi	Muslim Hands - Afghanistan WASH Projects	Scale	1:1	Sheet#	03/04	Province	Kunduz Logar	Project name: 70 DAWs Project
1			Structural Design by	Mir Mh Zahir Qaderi		Date					Drawing Title: Reservoir Plane. Details Sections, and dimensions	
2			Drawn by	Mir Mh Zahir Qaderi		Drawing No.	ST-03					
3			Approved by	MHI								

TUBE WELL / Solar System and Water Reservoir

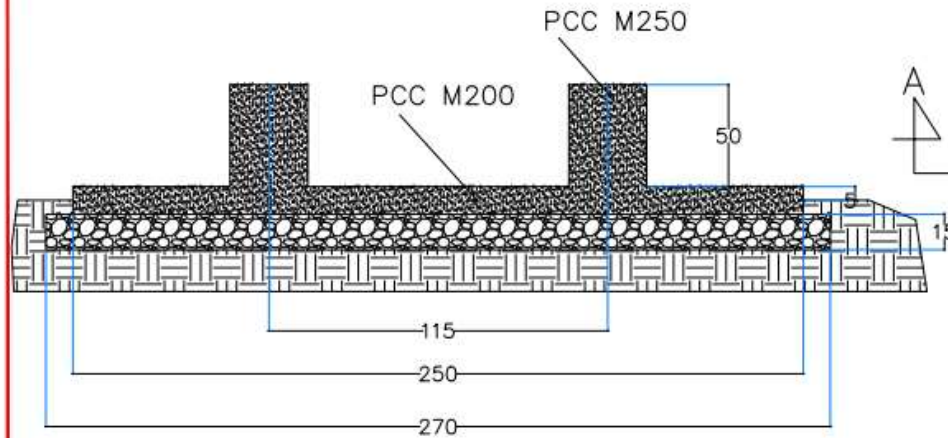
General Information:

Name: 70 DAWs Project.

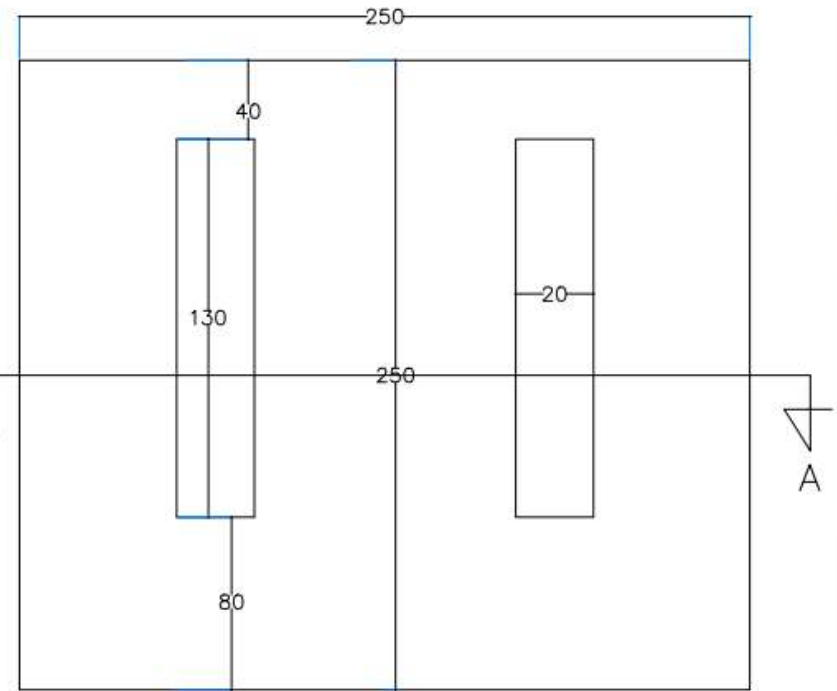
Diameter: 10 Inch

Depth: 35m

Location: Kunduz, And Logar



SEC A-A

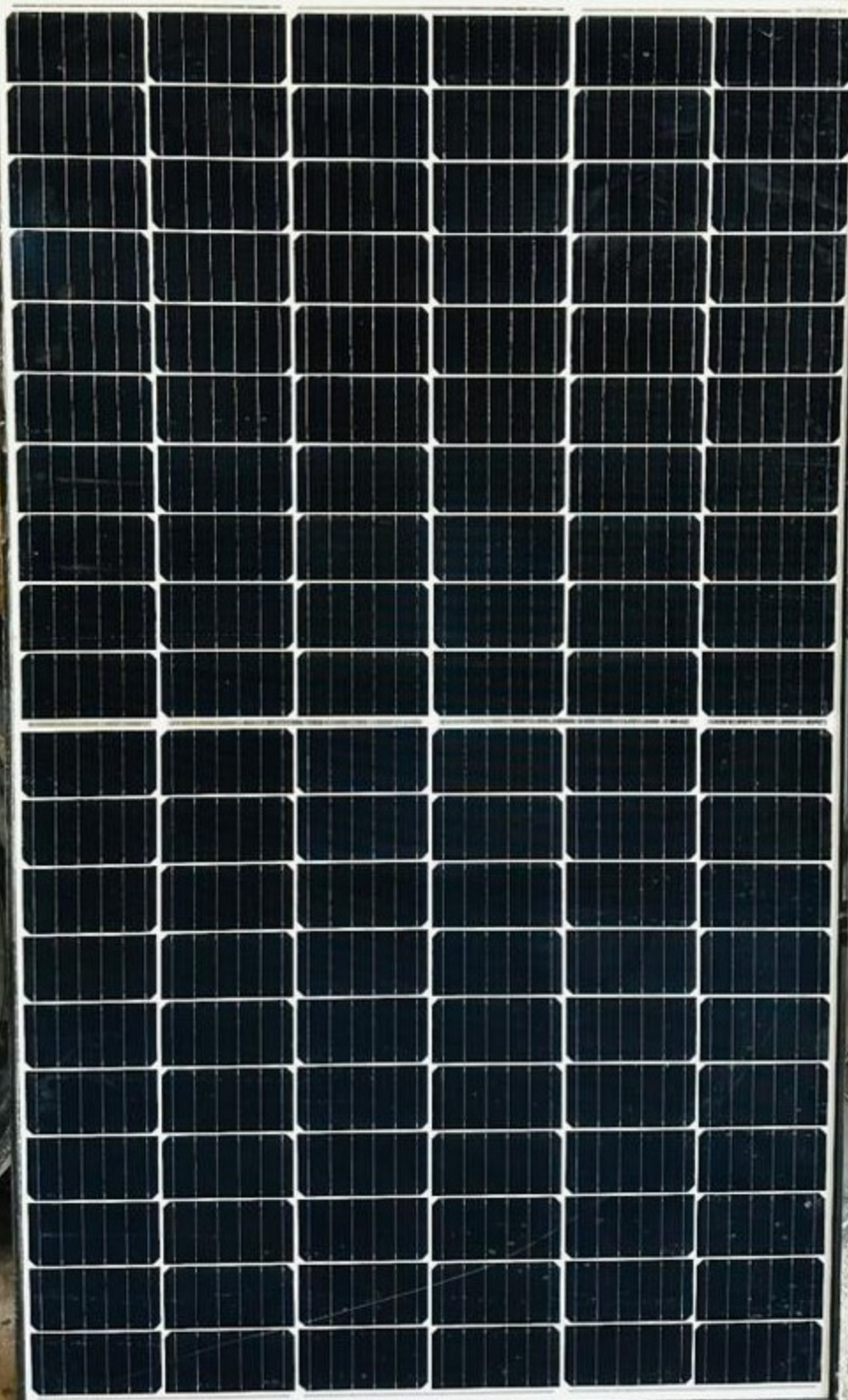


Plane

Dimensions' Unit: cm



No	Date	Revision	Survey by	Mir Mh Zahir Qaderi	Muslim Hands - Afghanistan WASH Projects	Scale	1:1	Sheet# 04/04	Province Kunduz ,Logar	Project name: 70 DAWs Project
1			Structural Design by	Mir Mh Zahir Qaderi		Date				Drawing Title: PCC concrete under Water Reservoir
2			Drawn by	Mir Mh Zahir Qaderi		Drawing No.	ST-04			
3			Approved by	MHI						





671220232734300891



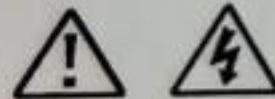
671220232734300891

ENGINEERED, DESIGNED AND QUALITY TESTED BY Q CELLS IN GERMANY

Q.PEAK DUO-G5 330**Q CELLS****PERFORMANCE AT STANDARD TEST CONDITIONS***

Nominal Power* (+5W / -0W)	P_{MPP}	[W]	330
Short circuit current*	I_{SC}	[A]	10.20
Open circuit voltage*	V_{OC}	[V]	40.66
Current at maximum power	I_{MPP}	[A]	9.71
Voltage at maximum power	V_{MPP}	[V]	33.98
Maximum system voltage	V_{SYS}	[V]	1000 (IEC)
Weight	M	[kg / lbs]	18.7 / 41.2

Made in China

**DANGER!****Risk of electric shock!**

DO NOT connect or disconnect plug contacts while system is under load current. Refer to the Installation and Operation Manual before installing, operating or servicing this unit.

DANGER!**Risque de choc électrique**

NE PAS connecter ou déconnecter les connecteurs lorsque le système est en charge.

Consultez le manuel d'installation et d'utilisation avant installation, utilisation et entretien du produit.

Fire Rating: Class C / Type 2

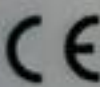
Design load: 55 lbs/ft²

Fuse Rating: 20 A

For field connections, use minimum No.12 AWG copper wires insulated for a minimum of 90 °C



Safety Class II



Serial No. 671220232734300891



Hanwha Q CELLS (Qidong) Co., Ltd.
No.888 Linyang Road, Qidong City, Jiangsu Province, China

EMAIL sales@hanwha-qcells.com
WEB www.q-cells.com