



Muslim Hands Afghanistan Afghanistan

Request for Quotation (RFQ)

Construction of 30 Borewell in Parwan Province

Issue Date: May-27-2024

RFQ# RFQ-2024-MHI-12

Closing Date: June-04-2024

1. Introduction

Muslim Hands International – MHI is an Afghanistan Relief and Development NGO, established in the United Kingdom in 1993 with the objective of providing relief and emergency services and long-term sustainable development projects in a cultural, ethical, effective, efficient and transparent manner. Muslim Hands works both directly and with partners in over 50 countries worldwide carrying out short and long-term projects in emergency relief, Health, WASH, Education, Protection, shelter, safe water, and TVET programming and a particular intervention of Advocacy and Peace in Afghanistan only. Muslim Hands Afghanistan has been awarded Investor in People (2000, 2004 & 2007) and also been accredited with Quality Management Systems Standard ISO 9001:2000. The organization is also a signatory to the Afghanistan Federation of the Red Cross and Red Crescent Movement, and various NGOs in Disaster Relief and the main sources of funding of the organization are individual donors, trusts, institutions and DFID.

Muslim Hands Afghanistan obtained formal registration from the Ministry of Economy in Afghanistan with registration No. 141 in 2005 and is now firmly established with its Headquarters in Kabul and is fully engaged in relief and development activities in different parts of the country. The work of Muslim Hands in Afghanistan involves, improving the lives of poor and vulnerable through the provision of education, health, WASH, Protection, Livelihood, advocacy, Agriculture and other specialized projects e.g., rehabilitation of the disabled, water purification and sanitation schemes, orphan sponsorship scheme, income generation activities and emergency aid / relief activities in Afghanistan. The Afghanistan head office operates in 21 provinces through head office in Kabul and regional and provincial offices in the respective regions and province of Afghanistan.

MUSLIM HANDS AFGHANISTAN wishes to commission the team member to render services in the aforementioned field due to the knowledge and experience of the Project.

House #11-1, Street second, Qali Fatullah, District 10, Kabul AFG.PH +93 (0) 786 250 533

148, Gregory Boulevard, Nottingham, NG7 5JE (UK) PH# + 44 (0)115 911 7222

www.muslimhands.org.uk



Muslim Hands Afghanistan Afghanistan

2. Scope of Civil Work

- The cost includes construction 30 borewell in Parwan, Province along with applicable taxes.
- MAXIMUM TIME-FRAME FOR COMPLETION OF WORKS: The construction of 30 borewells must be completed in six months and will start after from the sign of contract.
- Pump Installation: Install a suitable pumping system. Ensure the pump is properly sized and installed according to the project requirements.
- Backfilling around a large-diameter pipe is an essential operation, and it is imperative for the contractor to ensure that it is done properly to a height of 1 meter above the water level.
- If the company does not finish the activities on time, the delay damage percentage is 0.01% of the total contract amount per day of delay.
- The contractor is required to inspect all designated locations chosen by MHI-Afghanistan in close collaboration with the respective PRRD offices to ensure the successful execution of the project.
- If a contractor encounters a situation where any designated location indicates potential success for the DWs project by drilling beyond the estimated depth of 50m, MHI-Afghanistan is amendable to considering such cases. The assessment will take into account locations where the water level is higher, potentially leading to project success at depths lower than 50m, and flexibility exists in MHI-Afghanistan for this change.
- The work will be adjusted during the implementation of the project. If somewhere the water level is 45 meters, we will dig the well at 60 meters, and if the water level is 15 meters, we will dig it at 40 meters.
- If the place of work is normal, the contractor will work as usual, and if there are any problems in the location, the contractor will contract MHI-Afghanistan before starting or relocating the machine. If after our permission the well fails, MHI will have reaction rules and regulations in this regard.
- Preference will be given to vendors with experience in digging wells.
- The exact location, GPS point, and Hand Pump Apron details have been attached for your reference.

House #11-1, Street second, Qali Fatullah, District 10, Kabul AFG.PH +93 (0) 786 250 533

148, Gregory Boulevard, Nottingham, NG7 5JE (UK) PH# + 44 (0)115 911 7222

www.muslimhands.org.uk



Muslim Hands Afghanistan Afghanistan

No	Description	Immediate Order Quantity	BoQs Specifications
1	Digging of 30 Wells with 50m depth in Parwan, (Markaz, Shenwari, Bagram and Kohi Safi) Districts.	30	50 Meter, Koba-e, 10-12 inches

Please provide the pricing for the construction of 30 borewell in Parwan Province as specified below.

No.	Item Description	Unit	Quantity	Total No of DWs	Unit Cost	Total cost AFN
1	Site Preparation, Clearing site etc	Seq.m	40	30		
2	Well Drilling (10 - 12 Inch)	m	50	30		
3	Pipe (1) inside diameter 5 Inch, C class 6 -7 mm thick, 20 kg.	m	50	30		
4	Glue -(1 Packs 1 KG per each)	pcs	2	30		
5	Gravel (size 3 - 6 mm) for gravel pack	cub.m	0.3824	30		
6	Soil (clay) for filling around PVC pipe over the gravel pack	cub.m	0.5281	30		
7	Soak pit and dry-stone patching under the apron (Marter + Labor)	cub.m	0.0156	30		
8	Pipe 2 Inches, Standard "3.5 kg per each well"	m	45	30		
9	Pamir Pump (Double Body, Double Stand rod will be Jast and Two Chin, Pamir Cylinder, Hand of Pump Full.	pcs	1	30		
10	Rope - (150 Meter per each)	m	150	30		
11	PCC Apron and drain M: 150, 1:2:4. Concrete total volume (estimated according to designed drawing) = 0.75 Cubic Meters for each DW, for further information please check design drawing/engineer instruction.	Cub.m	0.75	30		
12	Pump Tast (Just for Cleaning of Water), total 4 hours per each DW/according engineer instruction.	pcs	1	30		
Subtotal for 30 DWs						

House #11-1, Street second, Qali Fatullah, District 10, Kabul AFG.PH +93 (0) 786 250 533

148, Gregory Boulevard, Nottingham, NG7 5JE (UK) PH# + 44 (0)115 911 7222

www.muslimhands.org.uk



Muslim Hands Afghanistan Afghanistan

3. Minimum Eligibility Requirements for Vendors to be Considered for Further Consideration

1. It is mandatory for vendors/contractor to attend the Pre-bid meetings on **02-June-2024** at MHI Main Office, starting at **10:00 AM**. During this meeting, a briefing will be provided regarding the announced RFQ, including specifications, quality, services, and delivery requirements. Failure to attend the Pre-bid Meeting will result in the rejection of the vendor's bids, and their bid will not be considered.
2. A bid security in Favor of "Muslim Hands Afghanistan" with a total amount of **200,000/-AFN**, equivalent to the bid amount, must accompany the bid as a tender guarantee. Please note that the bid guarantee must be provided through a bank. Once the contract has been awarded to the successful bidder his/her bid security will be converted into a performance guarantee. If any selected bidder refuses to accept the order for the offered packages or refuses to sign the contract, Muslim Hands Afghanistan reserves the right to forfeit the bid security of the bidder. Bids received without the bid guarantee will be rejected.
3. Submit their quotes as per deadline specified in RFQ.
4. Hold a valid business license and have valid business bank account in company name.
5. Accept all MHA-Afghanistan terms and conditions, including payment terms.
6. Please note that bid submitted on our Request for Quotation (RFQ) must be filled out using our designated company format. Any bid submitted in a different format will be rejected.



Muslim Hands Afghanistan Afghanistan

4. Conflict of Interest

7. MHA requires **every prospective Supplier to** avoid and prevent conflicts of interest, by disclosing to MHA if you, or any of your affiliates or personnel, were involved in the preparation of the requirements, design, specifications, cost estimates, and other information used in this RFQ. Bidders shall strictly avoid conflicts with other assignments or their own interests, and act without consideration for future work. Bidders found to have a conflict of interest shall be disqualified.
8. Bidders must disclose in their Bid their knowledge of the following: a) If the owners, part-owners, officers, directors, controlling shareholders, of the bidding entity or key personnel who are family members of MHA staff involved in the procurement functions and/or the Government of the country or any Implementing Partner receiving goods and/or services under this RFQ.
9. The eligibility of Supplier that are wholly or partly owned by the Government shall be subject to MHA's further evaluation and review of various factors such as being registered, operated and managed as an independent business entity, the extent of Government ownership/share, receipt of subsidies, mandate and access to information in relation to this RFQ, among others. Conditions that may lead to undue advantage against other Bidders may result in the eventual rejection of the RFQ.

5. Form of proposal – information to be provided.

To be considered, your proposal submission must include the following information. Failure to supply such information, in the requested format where specified, will result in your proposal not being considered.

5.1. The RFQ will be evaluated using the following technical criteria. RFQ should address each question.

1. Does the supplier have a valid license? If yes, please provide us the scan copies.
2. Does the supplier have a quality control program to help ensure adherence to high professional standards?
3. Will the supplier be able to meet MHA's deadline? Does the number of days or the time period indicated by the supplier to complete the related tasks?
4. Does the supplier have the same experience with other NGOs or institutions? If so, please list the NGOs/institutions and indicate if we may contact them.
5. Does the RFQ adequately describe in a clear concise, and understandable manner the work to be performed including **sampling** techniques and analytical procedures to be used?

5.2. Information about your company:

- a. A short profile of your company with emphasis on the different services you supply. If the company is part of a group of companies, or is a subsidiary or parent company, please also give details of the group. N/A

5.3. Experience:

House #11-1, Street second, Qali Fatullah, District 10, Kabul AFG. PH +93 (0) 786 250 533

148, Gregory Boulevard, Nottingham, NG7 5JE (UK) PH# + 44 (0)115 911 7222

www.muslimhands.org.uk



Muslim Hands Afghanistan Afghanistan

- a. **Details of your firm's experience of providing similar services, and in particular experience of working with similar organization's funded projects in Afghanistan or any national or international NGOs.**

5.4. Costs:

- a. All cost shall be inclusive of all applicable taxes as per taxation law of the government of Afghanistan, www.mof.af, TA/DA.
- b. The quotation price should be given in AFN

5.5. Payment:

- a. Once the contract is signed with a supplier all the payment will be processed through **Bank transfer**, the supplier is not supposed to request MHA for cash or check payment.
- b. Payment will be made after the submission of the completion report. The payment processing will take place within one month of receipt of the report.
- c. Additionally, the payment will be processed to Partner Company's bank account not individual bank account.

Payment Milestones:

- a. Muslim Hands – Afghanistan (MHI – Afghanistan) will disburse each instalment subsequent to the successful completion of 10 Digging wells (DWs) from the contractor. The completion status will be verified and approved by MHI's designated technical engineer and team.
- b. A portion of 10% from each instalment will be retained by MHI in consideration of work quality assurance and compliance with specified quantities until the conclusion or finalization phase of the project.
- c. Upon satisfactory verification of the quality of completed tasks, MHI will release the withheld 10% amounts after the project's entirety from the contractor's end. Final approval and project closure will be subject to verification by MHI's relevant team and the pertinent Provincial Ruler and Rehabilitation Department (PRRD) office.

6. Submission Procedure

- a. The Interested supplier should submit the hard sealed stamped RFQ through an official authorized representative in order to attend the bid opening event at MHA Office, House# 11-1, Street second of Qali Fetullah, Kabul, Afghanistan by **10:00 AM, 04 June- 2024**.
- b. Bid Opening Time/Date & Venue: **10:15 AM, 04 June- 2024, MHA Meeting Room.**
- c. The bids received after the RFQ closure will be rejected except if the delay is determined by MHA to have been due to a valid reason.

7. Question and Clarification:

- A. The Interested supplier/bidder can direct their queries to the operation unit of MHA via Nawazsharif.safi@afmhworldwide.org
- B. Contact No: +93 786 250 533
House #11-1, Street second, Qali Fatullah, District 10, Kabul AFG.PH +93 (0) 786 250 533
148, Gregory Boulevard, Nottingham, NG7 5JE (UK) PH# + 44 (0)115 911 7222



Muslim Hands Afghanistan Afghanistan

8. Disclaimer

MHA is not bound contractually or in any other way to any Proponent to this request for RFQ/bid. The organization is not liable for any costs or compensation in relation to the consideration of this Request for submission of proposal/bids by the Proponents whether or not the organization terminates, varies, or suspends the process or takes any other action permitted under this Request for RFQ/bids.

The organization may, at its absolute discretion, elect to abandon any part or whole of the process without giving prior notice to the Proponents or potential Proponents.

Please provide the following information:

1. Name of supplier	
2. Address of supplier	
3. Contact name	
4. Mobile number	
5. Email address	
6. Company registration number	
7. Year of company registration	
8. Please attach company registration documentation	

It should be noted that the answers you provide to this questionnaire might influence your potential relationship with MHA. Following completion, signature, and submission of this questionnaire any subsequent changes must be submitted to MHA in writing immediately.

Project Name:		WASH					
Projec Code:		30 DAWs					
File Name:		GPS, and Locations					
Location:		Parwan					
Sr.N	District	Village	Location	Water Level/meter	GPS		
					N	E	EL
1	مرکز	ده غوچک	کنار مسجد قریه نقطه وسطی	15 کیفیت خوب	34.95	69.12	1695
2		نو آباد سنجد دره، قلعه دشت	ساحه مسجد نقطه مشترک	50 کیفیت خوب	34.94	69.15	1520
3		دکری	مقابل خانه استاد میرخان، پهلوی مسجد نقطه مشترک	20 کیفیت خوب	34.96	69.13	1667
4		نو آباد موسی خیل	پهلوی حاجی عبدالغیور، نقطه مشترک قریه	35 کیفیت خوب	34.92	69.16	1525
5		نو آباد ده مسکین	مقابل خانه قاری امرالدین	40 کیفیت خوب	34.96	69.16	1523
6		قلعه سفید، نوپ دره	پهلوی مسجد جامع، نقطه مشترک قریه	20 کیفیت خوب	34.98	69.13	1743
7		خلازی	پهلوی سرک عمومی کابل - پروان، مقابل خانه مولوی صاحب ضیا الحق	30 کیفیت خوب	34.90	69.17	1520
8	شینواری	قول مصری، عقب پل شامیر	عقب پل شامیر	30 کیفیت خوب	35.00	68.80	1796
9		درازگرد قریه مابین	داخل مدرسه سراج العلوم	30 کیفیت خوب	35.01	68.90	1803
10		قریه پایین درازگرد	مقابل خانه مولوی صاحب نادر، پهلوی سرک قریه	30 کیفیت خوب	35.01	68.91	1798
11		قاق شال	پهلوی کورچه فرعی، مقابل خانه عنایت	25 کیفیت خوب	35.04	69.02	1712

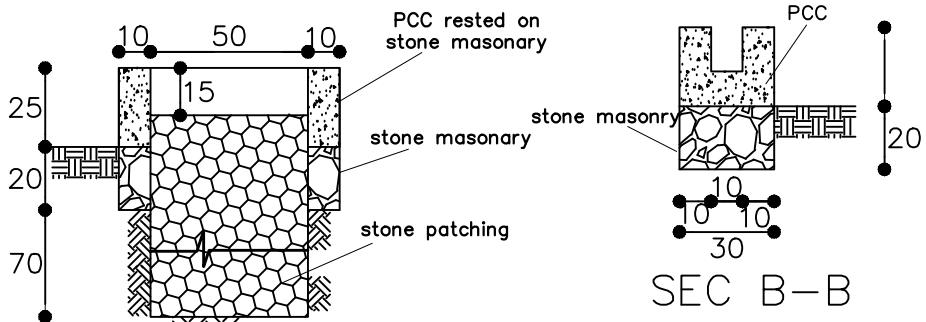
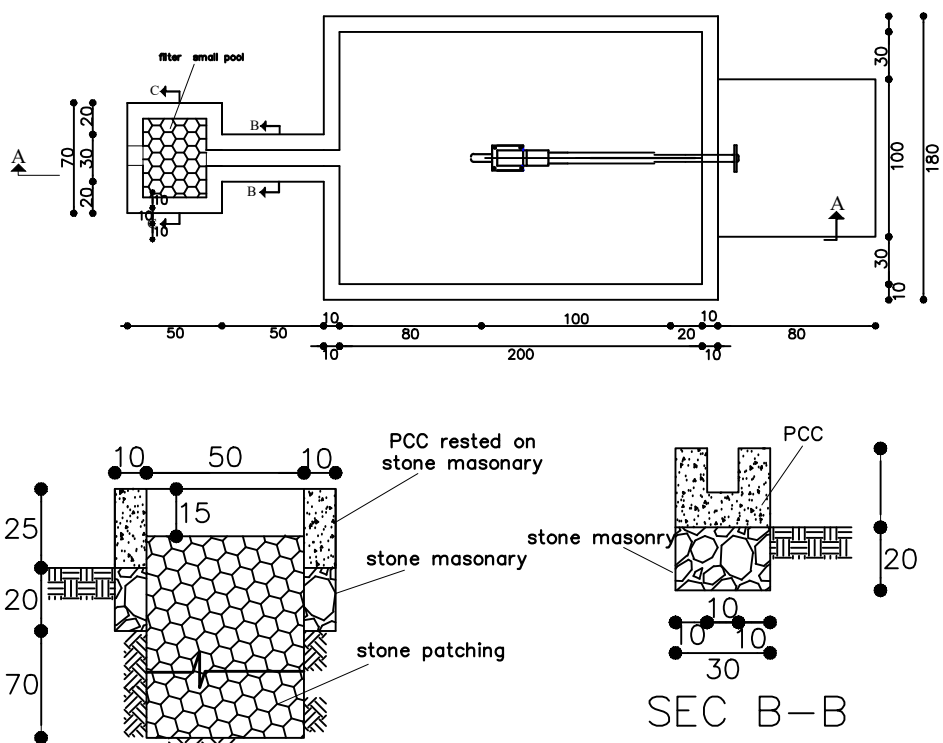
شینواری

12		برج گل جان	نقطه وسطی قریه، نزدیک خانه های امان الله، ملا تاج محمد و سمس الدین	30کیفیت خوب	35.05	69.06	1668
13		دهن کفشان تالگی	پهلوی سرک فرعی قریه کنار مسجد جامع	30کیفیت خوب	35.06	69.07	1701
14		قریه ملایی ۱	پهلوی مسجد قریه کنار خانه یار محمد	15کیفیت خوب	35.07	69.09	1620
15		قریه ملایی ۲	پهلوی خانه ککو، مقابل خانه دین محمد	18کیفیت خوب	35.07	69.09	1645
16	سیاه گرد	ده نو	مقابل خانه محمد عالم، نقطه مشترک و وسطی قریه	40کیفیت خوب	34.99	68.87	1864
17		صورت خیل	مقابل خانه دل آغا، کنار جوی قریه	20کیفیت خوب	34.97	69.26	1446
18		کوتوای، ناصری	پهلوی سرک فرعی قریه، کنار خانه حاجی مئین	40کیفیت خوب	34.98	69.33	1434
19	بگرام	پاکستانک	داخل مسجد، نقطه مشترک قریه	25کیفیت خوب	34.93	69.44	1361
20		ده افغانان	داخل مسجد قریه، نقطه مشترک	25کیفیت خوب	34.95	69.40	1389
21		نکاه خیل	پهلوی خانه فضل اکرم، نقطه وسطی قریه	20کیفیت خوب	34.95	69.40	1396
22		مغل خیل	پهلوی خانه محمد الله و حبیب الله	25کیفیت خوب	34.99	69.26	1462
23		بچه خاک، بادرخان	مقابل قریه، نقطه مشترک	25کیفیت خوب	34.77	69.41	2224
24		بادرخان	مقابل مسجد، نقطه مشترک و وسطی قریه	25کیفیت خوب	34.77	69.41	2228
25		بچه خاک، نوی کلی	نقطه وسطی قریه میان فامیلی ها	30کیفیت خوب	35	69	2197

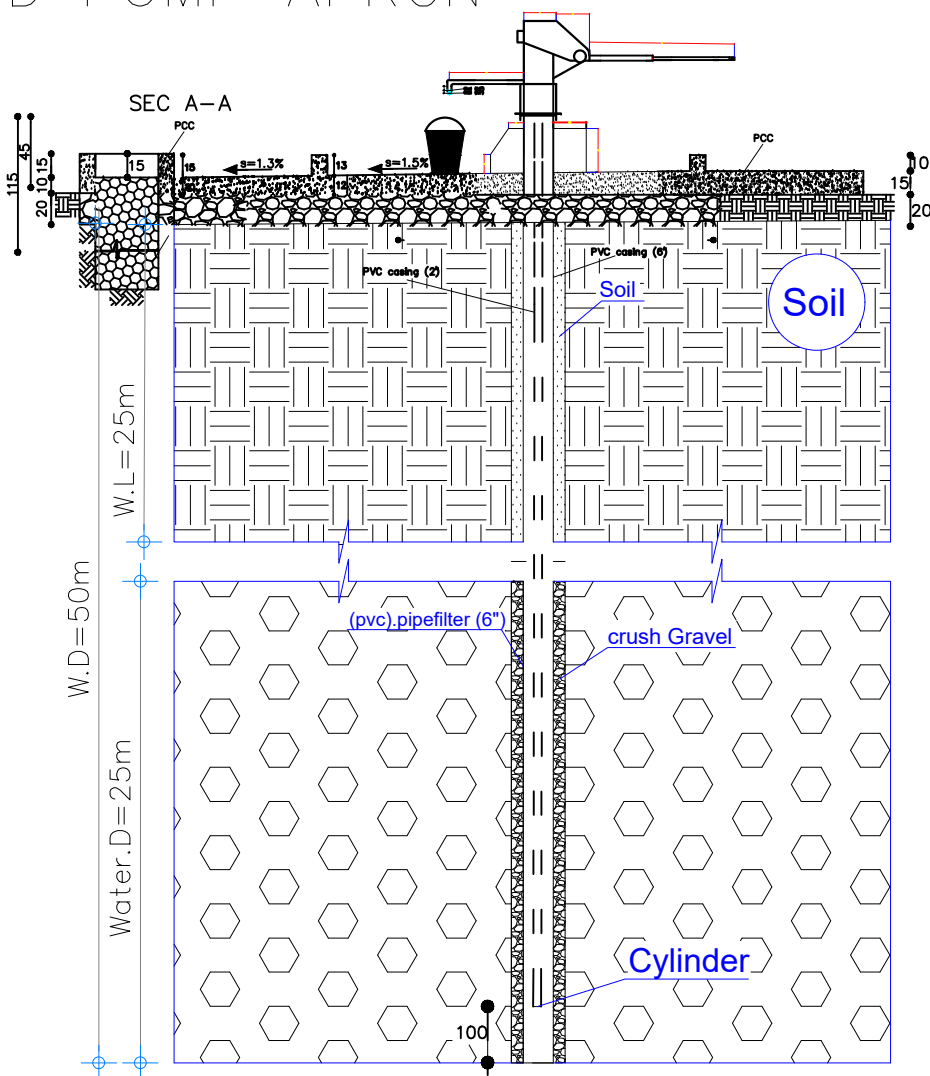
26	حوه صدایی	ولی کلی	نقطه مشترک و وسطی قریه، پهلوی خانه اسد	35 کیفیت خوب	35	69	2256
		دندراولیا	نقطه وسطی قریه، کنار باغ لطف الله	30 کیفیت خوب	35	69	1735
		باسی خیل خورد	مقابل مسجد، پهلوی آنتن اریبا	35 کیفیت خوب	35	69	1776
		جر غاتی، زیارت	مقابل مسجد نقطه وسطی قریه، ساحه مشترک	32 کیفیت خوب	35	69	1680
		علی خواجه پابن	مقابل خانه ولی الله	30 کیفیت خوب	35	69	1719

TUBE WELL / HAND PUMP APRON

PLAN OF HAND WELL WITH APRON



SEC: C-C



No	Date	Revision	Survey by	Eng Mir Mh Zahir Qaderi
1			Structural Design by	Eng Mir Mh Zahir Qaderi
2			Drawn by	Eng Mir Mh Zahir Qaderi
3			Approved by	MHI

Muslim Hands - Afghanistan
WASH Projects

Scale	Date	Drawing No.	Sheet No.	Province	Kapisa Parwan Wardak	Project name:
		ST-01	01/02			100 DW Projects for Kapisa, Parwan and Wardak Provinces
						Drawing Title: DW Plane, Details Sections