

Main Office
Golayee Wazirabad
PO Box 208
Kabul, Afghanistan
Phone: +93 202230752
Mobile: +93 700288232
E-mail: dacaar@dacaar.org
Website: www.dacaar.org

REQUEST FOR QUOTATION

Making Pillar for Water Reservoir and Installation of Greenhouses in Jawzjan and Faryab Provinces

درخواست آفر برای ساخت پایه ها برای ذخیره آب، ساخت و نصب گلخانه ها در ولایات جوزجان و فاریاب

دفتر مرکزی
گولایی وزیرآباد
پست بکس ۲۰۸
کابل، افغانستان
تلفون: +۹۳۲۰۲۲۳۰۷۵۲
موبایل: +۹۳۷۰۰۲۸۸۲۳۲
ایمیل: dacaar@dacaar.org
وبسایت: www.dacaar.org

Date: February 22, 2024

DACAAR RFQ 21 PRF-174 to 188/NMFA/2214-NMFA/NFJ1.10/NFJ1.8/02.2024

DACAAR needs Making Pillar for Water Reservoir and Installation of Greenhouses for DACAAR Program in Faryab and Jawzjan Province and invites interested parties to submit their sealed offers for the required item mentioned in Annex (I, II and III).

داکار به ساخت پایه ها برای ذخیره آب و ساخت و نصب گلخانه ها برای پروگرام داکار در ولایات جوزجان و فاریاب که مشخصات آن در ضمیمه (I، II و III) ذکر گردیده ضرورت دارد. از تمام علاقمندان واجد شرایط تقاضا بعمل میآورد تا آفر های سربسته شانرا قبل از معیاد تعیین شده به دفتر داکار بسپارند.

The offers must reach to DACAAR Main Office Logistics Unit located in Street No. 12, Taimani Project, Qala-e-Fathullah, Kabul Province till 4:00 PM March 04, 2024.

آفرها باید الی تاریخ 04 مارچ 2024 ساعت 4:00 عصر به شعبه لوجستیک دفتر مرکزی داکار واقع پروژه تایمنی پایکوب نصور سرک 12 قلعه فتح الله ولایت کابل سپرده شود.

The bid opening session will be held on March 05, 2024 at 10:00am in DACAAR Main Office, Kabul Province and winner of the bidding will be notified shortly after the bid opening session.

مجلس آفرگشایی ساعت 10:00 قبل از ظهر تاریخ 05 مارچ 2024 در دفتر مرکزی داکار در ولایت کابل صورت میگیرد که متعاقباً برنده داوطلبی در اسرع وقت اطلاع خواهد یافت.

Terms and Conditions for Participation/Bid Winner

شرایط قرارداد برای برنده داوطلبی/ اشتراک کننده گان

1. The location of Making Pillar for Water Reservoir and Installation of Greenhouses are in Jawzjan and Faryab Provinces Districts specified in Annex (II) of this RFQ.
2. Payment will be made after completion of work and confirmation of DACAAR Technical Team within 15 working days.
3. Prices shall be given in Afghanis (AFN) and must include all duties, transport cost, loading and unloading costs. Offers without sign and stamp will not be accepted. Manipulated/overwritten offers will automatically be rejected.
4. 2% Tax will be applicable on the companies which have valid business license and 7% Tax will be applicable on the companies that have invalid business license or on individuals who do not have business license, will be deducted from the contractor as a withholding tax. DACAAR will pay that amount to Ministry of Finance, the amount starts from (1 AFN).
5. Quotations should be valid for 60 working days.

1. ساخت پایه ها برای ذخیره آب و ساخت و نصب گلخانه ها در ولسوالی های ولایات جوزجان و فاریاب که در ضمیمه (II) از آن به تفصیل ذکر گردیده میباشد.
2. پرداخت پول بعد از تحویل دهی مکمل گلخانه ها و بازرسی تخنیکي دفتر داکار در مدت 15 روز کاری صورت میگیرد.
3. قیمت ها به افغانی داده شود و باید شامل مالیات، انتقال، قیمت بارگیری و تخلیه باشد و قیمت هائیکه بدون مهر و امضاً قابل قبول نمیشاند. آفرهای قلم خورده گی بطور اتومات رد میگرد.
4. 2% مالیه برای شرکت هائیکه دارای جواز با اعتبار میباشد، و 7% مالیه برای شرکت هائیکه دارای جواز بی اعتبار میباشد، و یا اشخاصیکه جواز ندارند از مجموع ارزش قرارداد توسط داکار وضع گردیده و به وزارت مالیه پرداخت میشود (آغاز مبلغ مالیه از 1 افغانی میباشد).
5. قیمت های داده شده باید به مدت 60 روز کاری مدار اعتبار باشد.

6. Making Pillar, Fabrication and Installation of Greenhouses will take place according to given design and DACAAR technical team guidance, DACAAR Technical Team will check the quality of work during and after the completion. 6. ساخت پایه، ساخت و نصب گلخانه ها باید طبق دیزاین ارایه شده و رهنمود تیم تکنیکی داکار اجرا شود، تیم تکنیکی داکار کیفیت کار پروژه را در جریان و ختم پروژه بررسی مینماید.
7. In case of delay without any logical reasons in completion of Greenhouses installation, 0.5% of total contract value will be charged as penalty for each day of delay. 7. در صورت تاخیر در ساخت گلخانه ها بدون عذر موجه در وقت معینه آن، مبلغ 0.5% از ارزش مجموع ارزش قرارداد بطور جرمانه در برابر هر روز تاخیر از قراردادی تادیه خواهد گردید.
8. The bid winner must deposit 10% amount of total contract value to DACAAR bank account as a Contract Performance Guarantee before signing the contract and the mentioned amount is only refundable after successfully completion of the contract. 8. برنده داوطلبی مکلف است تا 10% مجموع ارزش قرارداد را بشکل تضمین بانکی از اجرای کامل و مؤفّقانه قرارداد قبل از امضای آن به حساب بانکی داکار بپردازد. مبلغ متذکره در صورت اجرا مؤفّقانه قرارداد قابل باز پرداخت میباشد.
9. DACAAR will not be responsible for any changes occurred during the contract such as (increment in custom duties, exchange rate and etc). 9. داکار به هیچ عنوان مسؤلیت بلند رفتن مالیات گمرکی، قیمت اسعار خارجی و غیره موارد که باعث بلند رفتن قیمت در جریان قرارداد گردد ندارد.
10. DACAAR (Logistics Unit) adheres to National and International laws on child labour DACAAR makes sure all its suppliers and vendor abide by such laws preventing child labour in all DACAAR activities countrywide. 10. دفتر داکار (شعبه لوژیستیک) با در نظر داشت قوانین ملی و بین المللی برای جلوگیری از کار کودکان مصمم بوده و سعی میکند که تمام فعالیتهای تهیه کننده گان و مشتریان این اداره به این اصل پایبند باشند.
11. Award of contract will be based on the quality, price, capacity and potentiality of bidder which will be decided after evaluation of the company; it is the right of DACAAR to make the decision of awarding contract. 11. برنده شدن قرارداد نظر به کیفیت، قیمت، توانایی و ظرفیت داوطلب بوده و بعد از بررسی کمپنی صورت خواهد گرفت، البته داکار حق تصمیم گیری در این زمینه را دارا میباشد.
12. The Humanitarian Organizations (HO) may conduct on-site visit in the contractor's premises (or may take similar measures) to ensure compliance. 12. سازمان های بشر دوستانه (HO) ممکن است تا از محلات و سایت ها بخاطر اطمینان بیشتر و تطبیق درست کار توسط قرار داد گیرنده بازدید بعمل آورده و یا ممکن است اقدامات مشابه را انجام دهد.
13. The bid winner must deliver the contracted materials without any changes till end of the contract. 13. برنده قرارداد باید مقدار مال قرارداد شده را به وجه احسن الی ختم قرارداد انجام دهد.

For more details, please visit DACAAR Logistics Unit Main Office Kabul, Sunday through Thursday, from 8:00am to 03:00pm. or contact on below Email Addresses and Phone Numbers:

jamal@dacaar.org or faizullah@dacaar.org

Sincerely Yours,

Manager – Logistics Unit
Date: February 22, 2024



ANNEX (I)
Budget Breakdown / فورم ارايه آفر
DACAAR RFQ 21 PRF-174 to 188/NMFA/2214-NMFA/NFJ1.10/NFJ1.8/02.2024

Making Pillar for Water Reservoir and Installation of Greenhouses in Jawzjan and Faryab Provinces:

S/N	Item Description	Specifications	Unit	QTY	Unit Price Including 2/7% Government Tax (AFN)	Total Price Including 2/7% Government Tax (AFN)
1	Greenhouse Fabrication and Installation Wage	Based on Drawings brought up in Annex (III)	Set.	19		
2	Make Pillar for Water Reservoir/ Pillar Making Wage	Based on Drawings brought up in Annex (III)	Set.	19		
Grand Total: AFN						

Bidder Name: _____ اسم آفر دهنده:

Address and Stamp: _____ آدرس کمپنی و مهر کمپنی:

Contact No: _____ نمبر موبائیل:

Email Address: _____ آدرس ایمل:

Delivery Time: _____ زمان تحویلدهی:

ANNEX (II)
Tentative Work Plan / پلان کاری تخمینی
DACAAR RFQ 21 PRF-174 to 188/NMFA/2214-NMFA/NFJ1.10/NFJ1.8/02.2024

Lot I: Making Pillar, Fabrication and Installation of Greenhouses in Faryab Provinces:

S.N	Item Name	Unit	Quantity Based on Faryab Province Districts							Total Quantity
			Maimana	Pashtoon Kot	Khwaja Sabz Posh	Qaisar	Almar	Shirin Tagab	Dawlat Abad	
1	Greenhouse Fabrication and Installation Wage	Set	2	1	1	3	1	2	2	12
2	Make Pillar for Water Reservoir/ Pillar Making Wage	Set	2	1	1	3	1	2	2	12

Lot II: Making Pillar, Fabrication and Installation of Greenhouses in Jawzjan Provinces:

S.N	Item Name	Unit	Quantity Based on Jawzjan Province Districts			Total Quantity
			Sheberghan	Aqcha	Faizabad	
1	Greenhouse Fabrication and Installation Wage	Set	4	3	4	12
2	Make Pillar for Water Reservoir/ Pillar Making Wage	Set	4	3	4	12

Contract Date	Delivery Date	Installation Places
Starts Upon DACAAR Final Approval	Apr 20, 2024	Installation places are in Jawzjan and Faryab Provinces Districts as per the above table

ANNEX (III)

Technical Specifications and Drawings / مشخصات تخنیکى و دیزاین

DACAAR RFQ 21 PRF-174 to 188/NMFA/2214-NMFA/NFJ1.10/NFJ1.8/02.2024

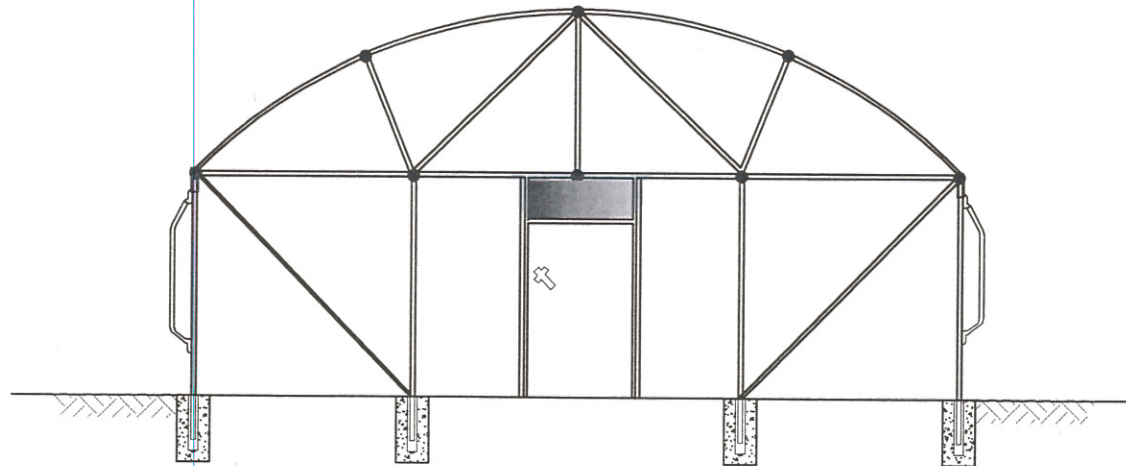
DACAAR

PROGRAM DEPARTMENT-TECHNICAL UNIT

SURVEY AND DESIGN SECTION

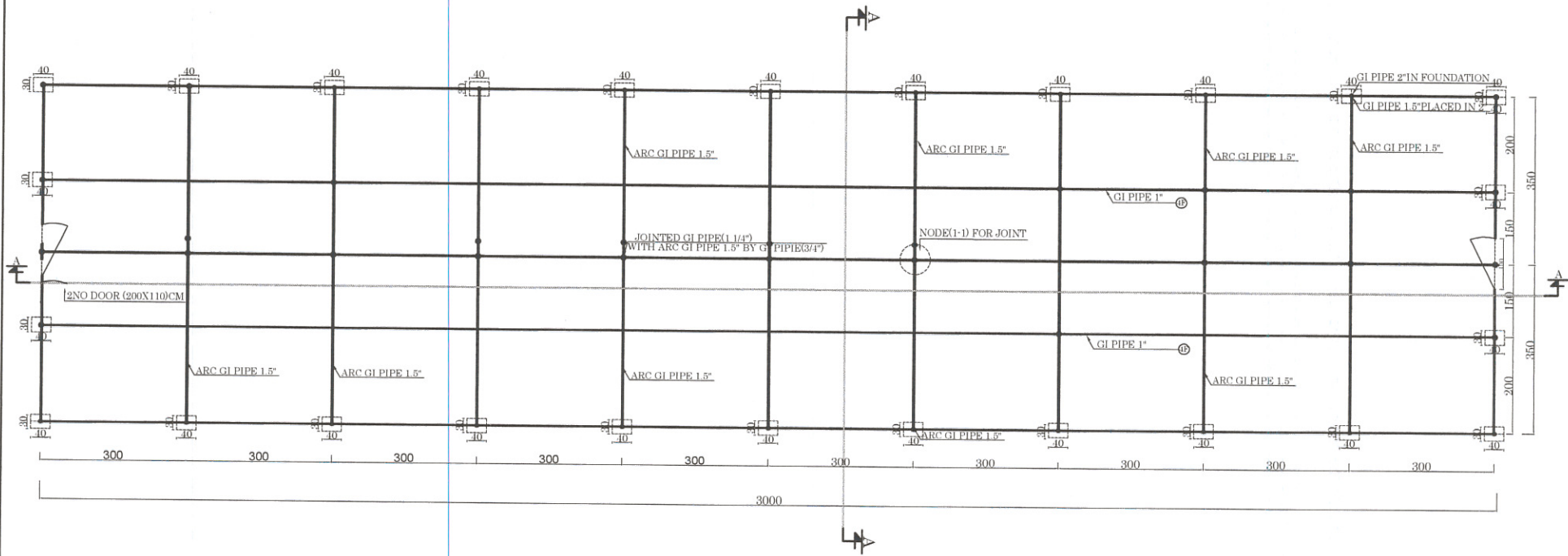
GREEN HOUSE DESIGN AND DRAWING

-2019-

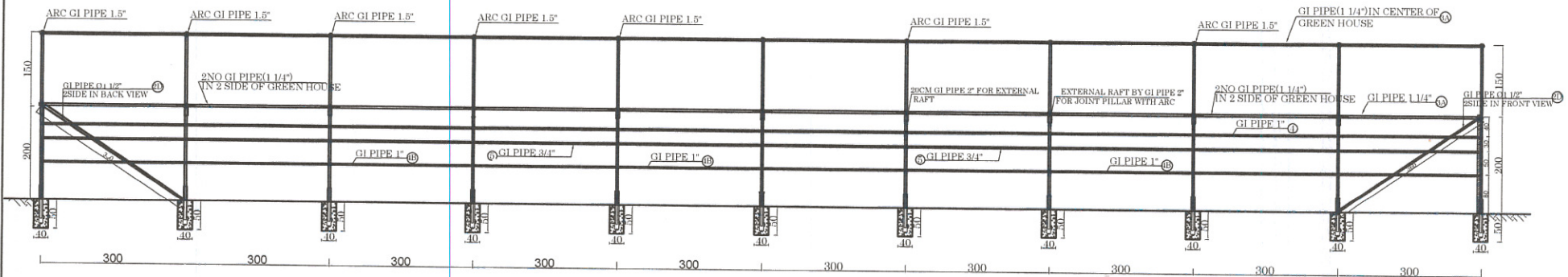


DATE PREPARED: NOVEMBER/2019
DESIGNED BY : ENG NAJMDIN

PLAN OF GREEN HOUSE

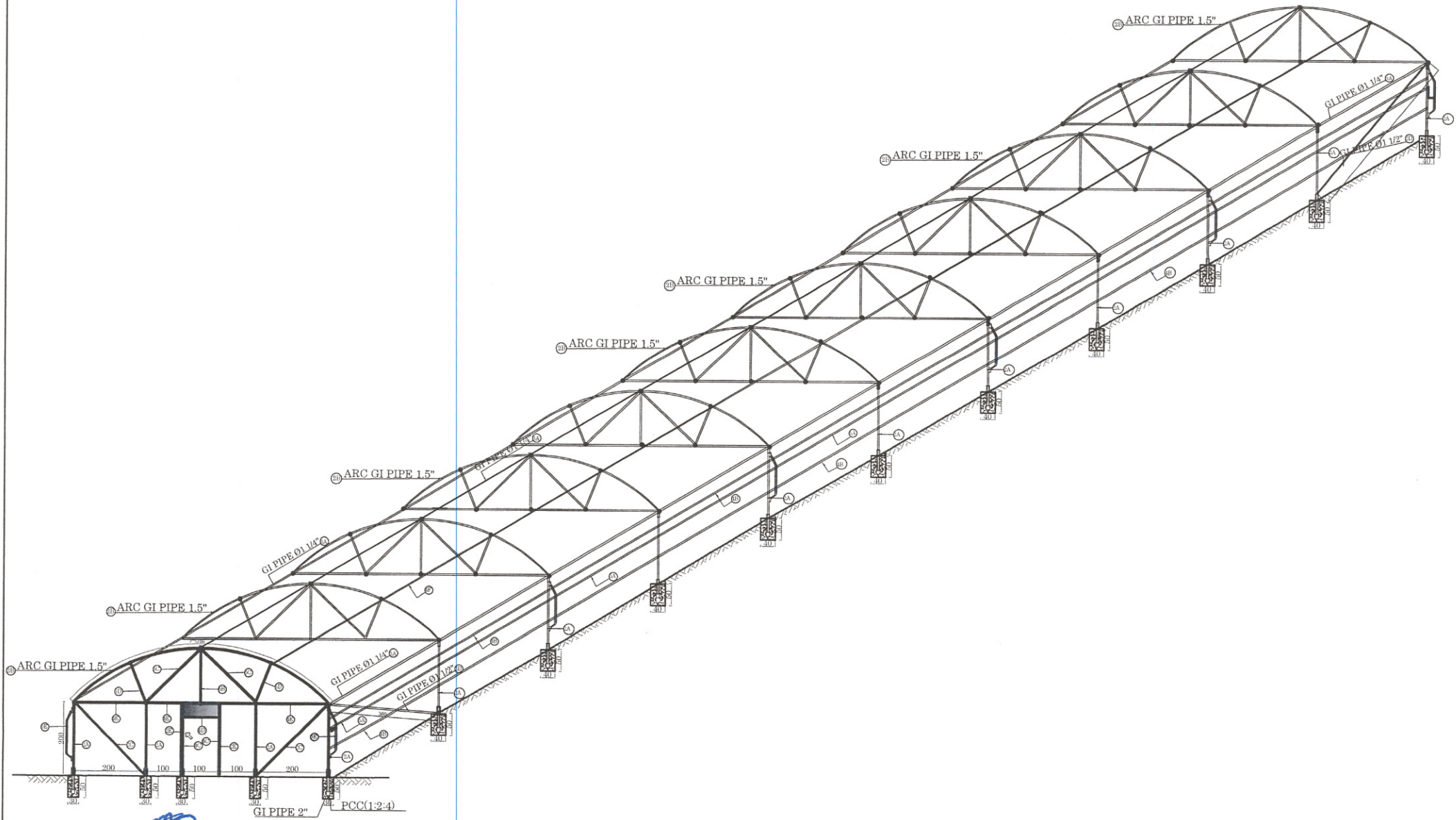


SECTION(A-A) OF GREEN HOUSE



www.dacaar.org	Funded by	DACAAR	Designed	Eng Najmudin	Village	All dimensions are in cm	Date	1 6	Drawing Title
	Implemented by		Checked	Eng Abdul.Malik	District		Nove.2019		Plan and Section(A-A) Proposed:Green House
			Approved	Eng Abdul.Wali	Province				

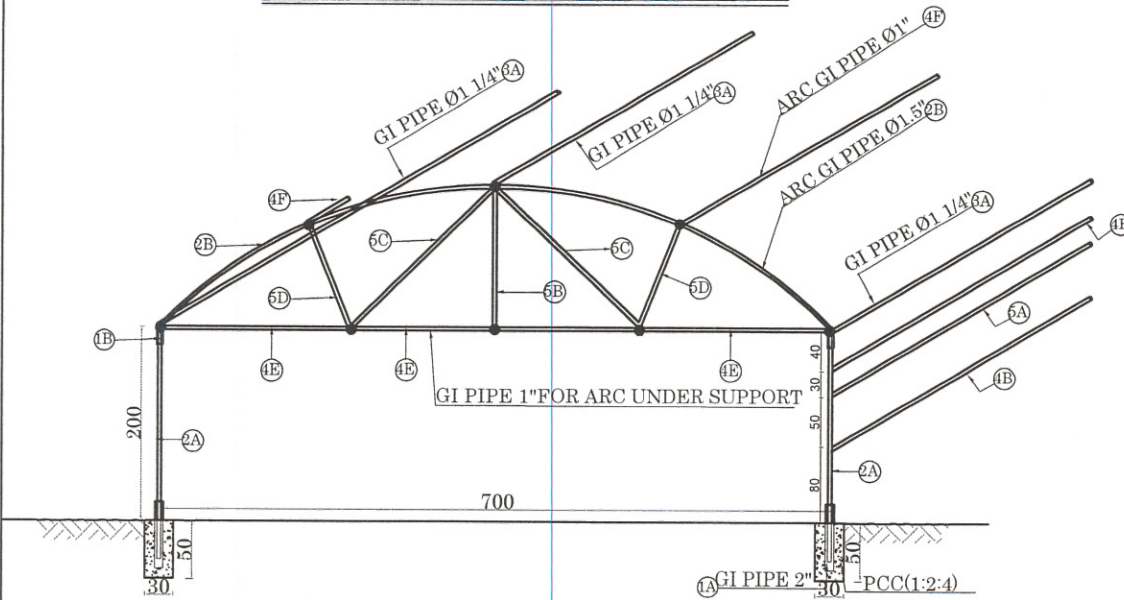
ISOMETRIC PLAN OF GREEN HOUSE



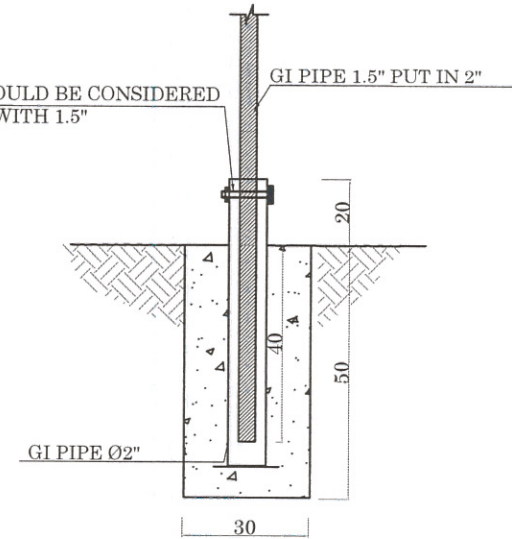
www.dacaar.org	Funded by		Designed	Eng: Najmudin	Village	All dimensions are in cm	Date Nove.2019	<div style="border: 1px solid black; border-radius: 50%; width: 30px; height: 30px; display: flex; align-items: center; justify-content: center; margin: 0 auto;"> 2 6 </div>	Drawing Title
	Implemented by	DACAAR	Checked	Eng: Abdul.Malik	District				Isometric Plan
			Approved	Eng: Abdul.Wali	Province				Proposed:Green House

SECTION(B-B) OF GREEN HOUSE

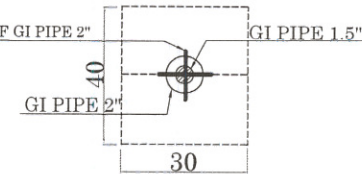
DETAIL OF FOUNDATION FOR PIPE



NUT AND BOLT SHOULD BE CONSIDERED TO JOINT 2GI PIPE WITH 1.5"

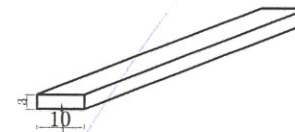


STEEL BAR 12MM WELDED IN THE FOUNDATION SIDE OF GI PIPE 2"
L=15CM, OR (2*15)CM



Description of estimated Gi Pipes of Green House for implementation-2019

Selected Gi Pipes	Gi Pipes Dia	Length in m	No of Gi pipes and usage area	Total length	Remark	Total
1A	2"	0.6	26	15.6	to be used in foundation of Pillars	
1B	2"	0.2	22	4.4	to be used in external rafter two Gi pipe 1.5", pillar with arcs	20.00
2A	1.5"	2.4	26	62.4	to be used in Pillars	
2B	1.5"	7.86	11	86.46	to be used in Arcs of Green House	
2C	1.5"	2.8	4	11.2	to be used 2No in 2view, front and back view.	
2D	1.5"	3.6	4	14.4	to be used 2No in 2 long side.	
2E	1.5"	2	4	8	to be used 2No Gi pipe in 2frame of Gates	182.46
3A	1 1/4"	30	3	90	to be used 2No one No in each side and one No on top of GH.	90
4A	1"	0.1	22	2.2	to be used 1No in each 2side of arc for internal rafter Gi pipe 1 1/4"	
4B	1"	30	4	120	to be used 2No Gi pipes in 2 side long support	
4C	1"	2	4	8	to be used 2No Gi pipes for 2Gate.	
4D	1"	1	4	4	to be used 2No Gi pipes in one Gate.	
4E	1"	7	11	77	to be used one No Gi Pipe in each arc	
4F	1"	30	2	60	to be used 2No Gi pipes in middle top of GH.	271.2
5A	3/4"	30	2	60	to be used 1No move able Gi pipe(3/4)" in 2side for ventilation system	
5B	3/4"	1.5	11	16.5	to be used 1No in each arc	
5C	3/4"	2.1	22	46.2	to be used 2No Gi pipe in each arc for incline support.	
5D	3/4"	1.15	22	25.3	to be used 2No Gi Pipe in each arc for incline corner support.	
5E	3/4"	1.2	12	14.4	to be used 6No Gi pipes in each side for ventilation pipe support	162.4



WOODEN SHEET(10X3)CM PUTED AFTER GI PIPE Ø 1.5" FOR FIXED THE PLASTIC SHEET WITH GI PIPES.

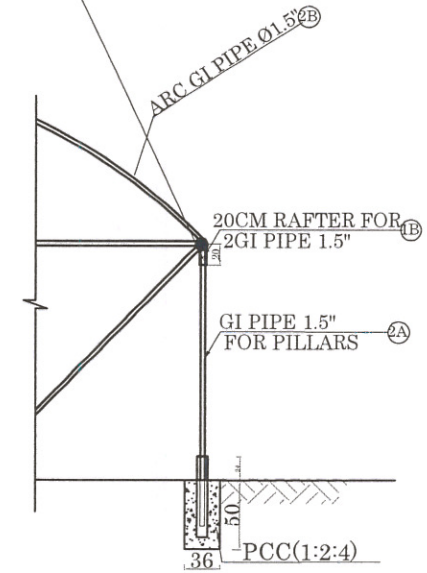
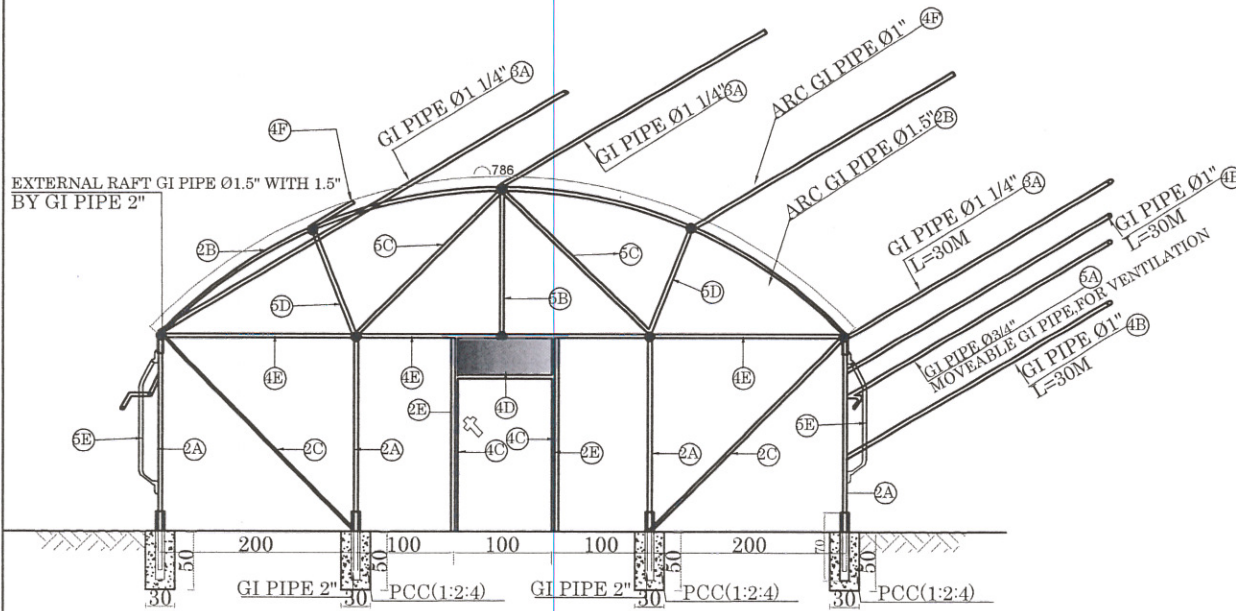
Approved
12/11/2019

www.dacaar.org	Funded by	DACAAR	Designed	Eng Najmudin	Village	All dimensions are in cm	Date	3 6	Drawing Title
	Implemented by		Checked	Eng Abdul.Malik	District		Nove.2019		Section(B·B), and Pillar Detail Proposed:Green House
			Approved	Eng Abdul.Wali	Province				

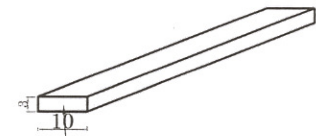
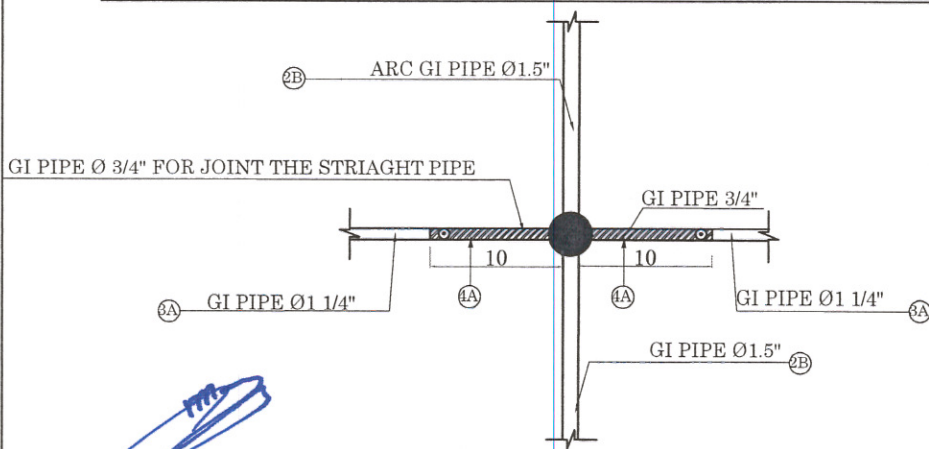
DETAILED FRONT AND BACK VIEW OF G.H

DETAIL OF FOUNDATION FOR PIPE

20CM EXTERNAL RAFTER GI PIPE 2" TO JOINT 1.5" GI PIPE
PILLARS WITH 1.5" GI PIPE ARCS.



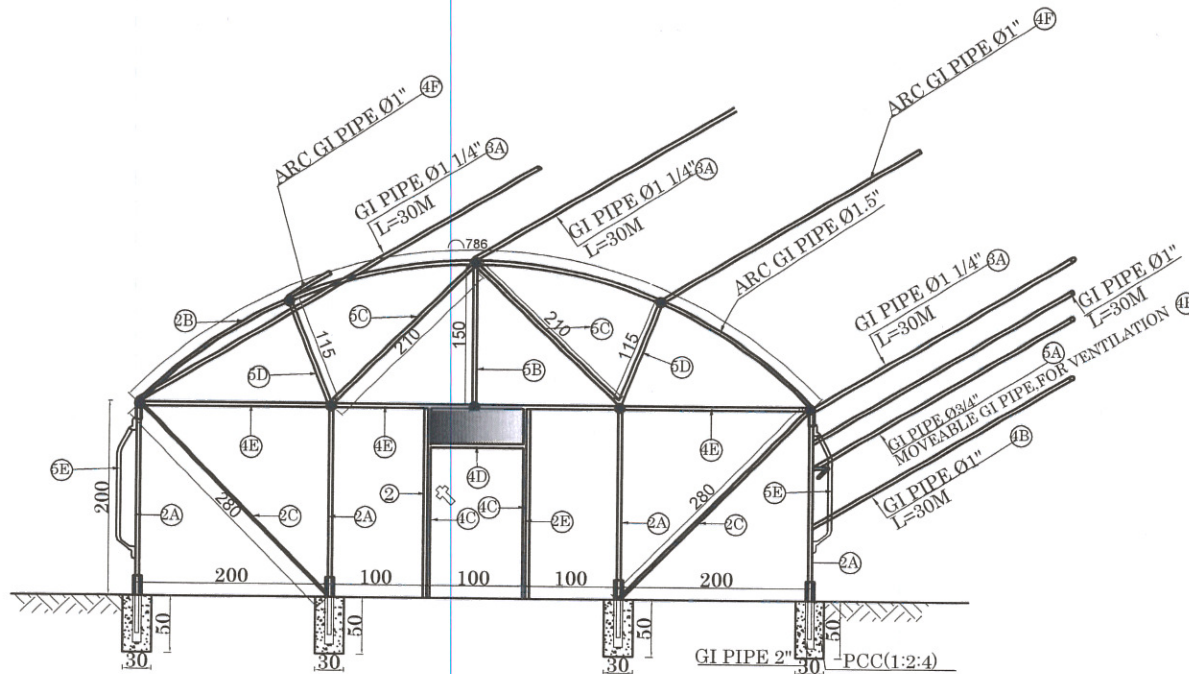
NODE DETAIL(1-1) OF STRAIGHT PIPE WITH ARC GI PIPE



WOODEN SHEET(10X3)CM PUTED AFTER GI PIPE Ø 1.5" FOR FIXED THE PLASTIC SHEET WITH GI PIPES.

www.dacaar.org	Funded by	DACAAR	Designed	Eng Najmudin	Village	All dimensions are in cm	Date	4 6	Drawing Title
	Implemented by		Checked	Eng Abdul.Malik	District		Nove.2019		Front and Back view and Details Proposed:Green House
			Approved	Eng Abdul.Wali	Province				

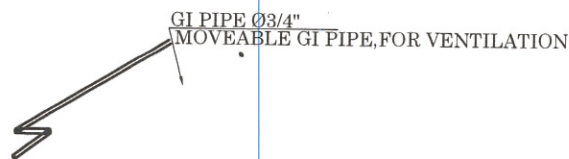
FRONT AND BACK VIEW OF GREEN HOUSE



WORK AND MATERIALS QUANTITY TABLE FOR GREEN HOUSE AND STAND.

S/N	TYPE OF WORK	UNIT	QTY.
1	EXCAVATION	M ³	1.80
2	P.C.C.(1:2:4)	M ³	1.60
3	GI PIPE Ø(2.0)INCH	M	36.0
4	GI PIPE Ø(1.5)INCH	M	188.0
5	GI PIPE Ø(1 1/4")INCH	M	115.0
6	GI PIPE Ø(1")INCH	M	272.0
7	GI PIPE Ø(3/4")INCH	M	168.0
8	PLASTIC SHEET	M ²	500.0
9	WOODEN SHEET(10X3)CM	M	75.00
10	GI WIRE 3MM	KG	75.00
11	DOOR(200X110)CM	NO	2.00
12	STEEL BAR 12MM, WELD	KG	7.00
13	NUT, BOLT, PILLARS L=3"	NO	26.0
14	NUT, BOLT, P, ARCS L=2.5"	NO	22.0
15	STEEL PLATE(200X200X10)MM	M	0.6

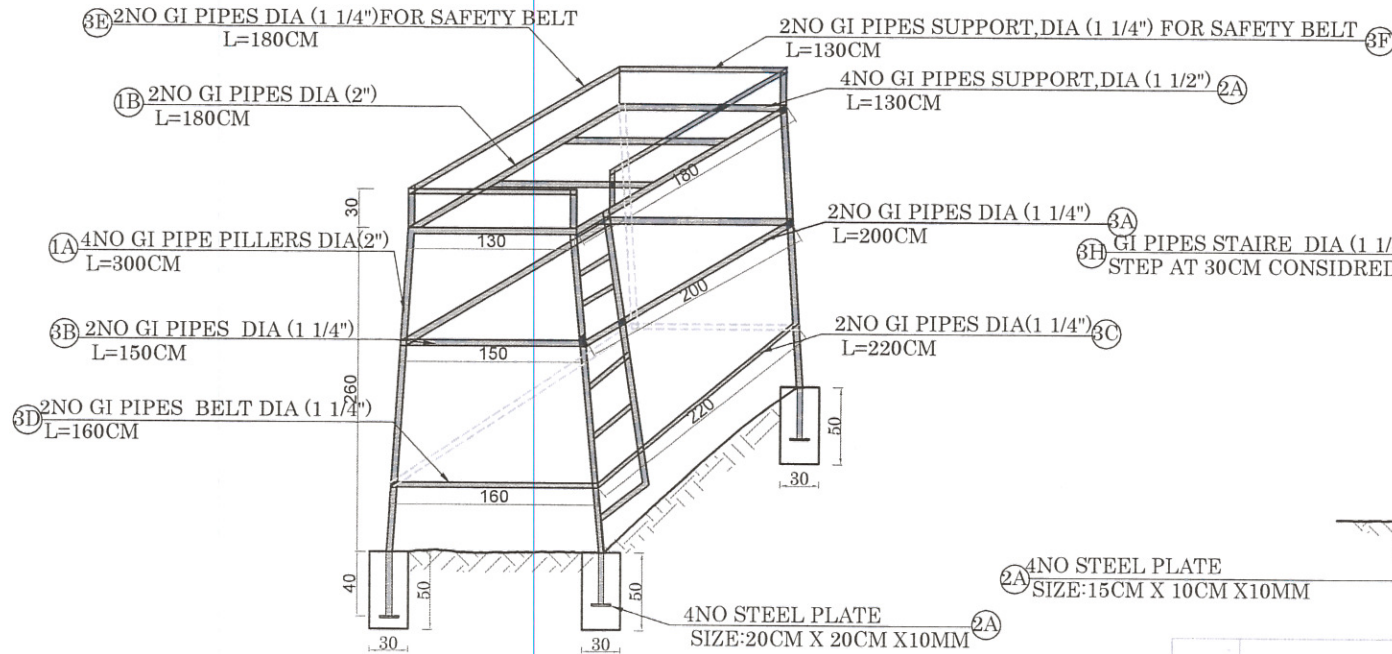
DETAIL OF VENTILATION FOR GREEN HOUSE



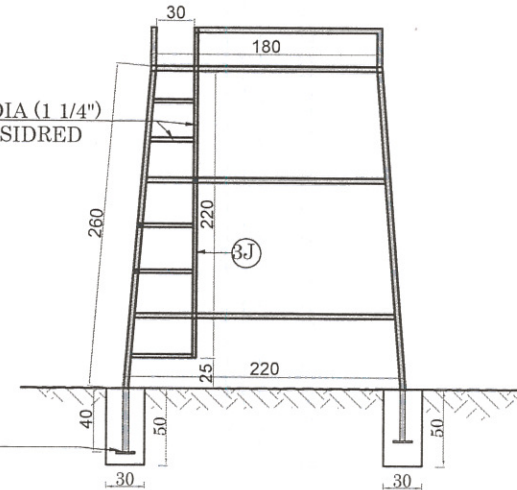
Approved
[Signature]
 12/11
 2019

www.dacaar.org	Funded by	DACAAR	Designed	Eng Najmudin	Village	All dimensions are in cm	Date	<div style="border: 1px solid black; border-radius: 50%; width: 30px; height: 30px; display: flex; align-items: center; justify-content: center;"> 5 </div> <div style="border: 1px solid black; border-radius: 50%; width: 30px; height: 30px; display: flex; align-items: center; justify-content: center;"> 6 </div>	Drawing Title:
	Implemented by		Checked	Eng Abdul.Malik	District		Nove.2019		Front and back view of GH Proposed:Green House
			Approved	Eng Abdul.Wali	Province				

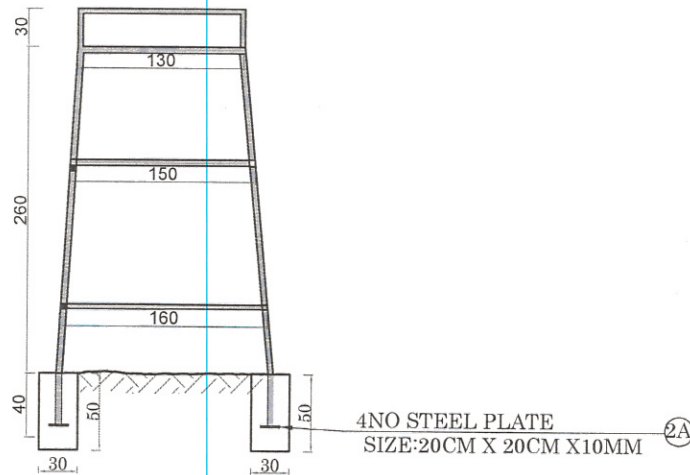
ISOMETRIC PLAN OF STAND FOR WATER TANK



SIDE VIEW OF STAND



FRONT VIEW OF STAND



Description of Estimated GI Pipes for Stand					
N/O-Bar	Size in inch	Length- m	No of pipes	Total length- m	Remark
1A	2"	3.3	4	13.2	to be use pillars
1B	2"	1.8	2	3.6	to be use top belts
2B	1 1/2"	1.3	4	5.2	to be use top belts
3A	1 1/4"	2	2	4	to be use Middle Belts
3B	1 1/4"	1.5	2	3	to be use middle Belts
3C	1 1/4"	2.2	2	4.4	to be use middle Belts
3D	1 1/4"	1.6	2	3.2	to be use middle Belts
3E	1 1/4"	1.8	2	3.6	to be use top safety belts
3F	1 1/4"	1.3	2	2.6	to be use top safety belts
3J	1 1/4"	2.5	1	2.5	to be use staire vertical support
3H	1 1/4"	0.4	5	2	to be use staire steps
2A	STEEL PLATE	0.2	4	0.8	SIZE: 20cm x 20cm x 10mm

Approved

 12/11/2019

www.dacaar.org	Funded by		Designed	Eng Najmudin	Village	All dimensions are in cm	Date	6 6	Drawing Title
	Implemented by	DACAAR	Checked	Eng Abdul.Malik	District		Nove.2019		Isometric,Front and side view
			Approved	Eng Abdul.Wali	Province				Proposed:Green House